

MicroStat® Status Indicator

Model MSL

COMPACT STATUS INDICATOR IN WATER-TIGHT ENCLOSURE

- MSL1, MSL2, MSL3 available in 24VAC/DC, 120VAC and 240VAC; MSL4 and MSL5 available in 24VAC/DC and 120VAC
- Factory assembled
- Small footprint — only 2.2" diameter (55.9 mm)
- Vibration-resistant 5.6W wedge lamp
- Surface mount and integrated 3/4-inch NPT pipe mount
- Type 4X enclosure¹
- Indoor Use only
- Optional Sound Module, LED Lamp, Pipe Mount Base and Flasher
- PLC Compatible
- UL and cUL Listed

The Federal Signal MicroStat® is a compact, Type 4X status indicator, Type 1 with optional sounder. Ideal for OEM applications, the MicroStat comes pre-assembled as 1-, 2-, 3-, 4-, or 5-high light units. The user selects combinations from five colors; Amber, Blue, Clear, Green and Red. O-rings between each segment provide a water-tight and dust-tight seal. The MSL1, MSL2, MSL3 are available in 24VAC/DC, 120VAC and 240VAC; the MSL4 and MSL5 are available in 24VAC/DC and 120VAC. The base of each light can be surface or pipe mounted (3/4-inch NPT).

The lenses lock together and snap apart with a simple twisting motion, allowing for easy lamp changes and quick lens resequencing. A rugged vibration-resistant, thick-filament wedge lamp fills each lens with light, providing excellent optical performance.

Wire connections are made through a 2-piece terminal block. The MicroStat is designed to work with PLC outputs including "Triacs".

An optional 100,000-hour LED light source is available in the five colors. This lamp, made of surface mounted LEDs, plugs directly into the same socket as the standard lamp.

An optional sound module can be installed in the top position of any MicroStat. The Sound Module Kit (MSS) consists of a slotted grille and board-mounted piezoelectric horn. The sounder plugs directly into the wedge socket. Sounder is optional as one of the 5-units.

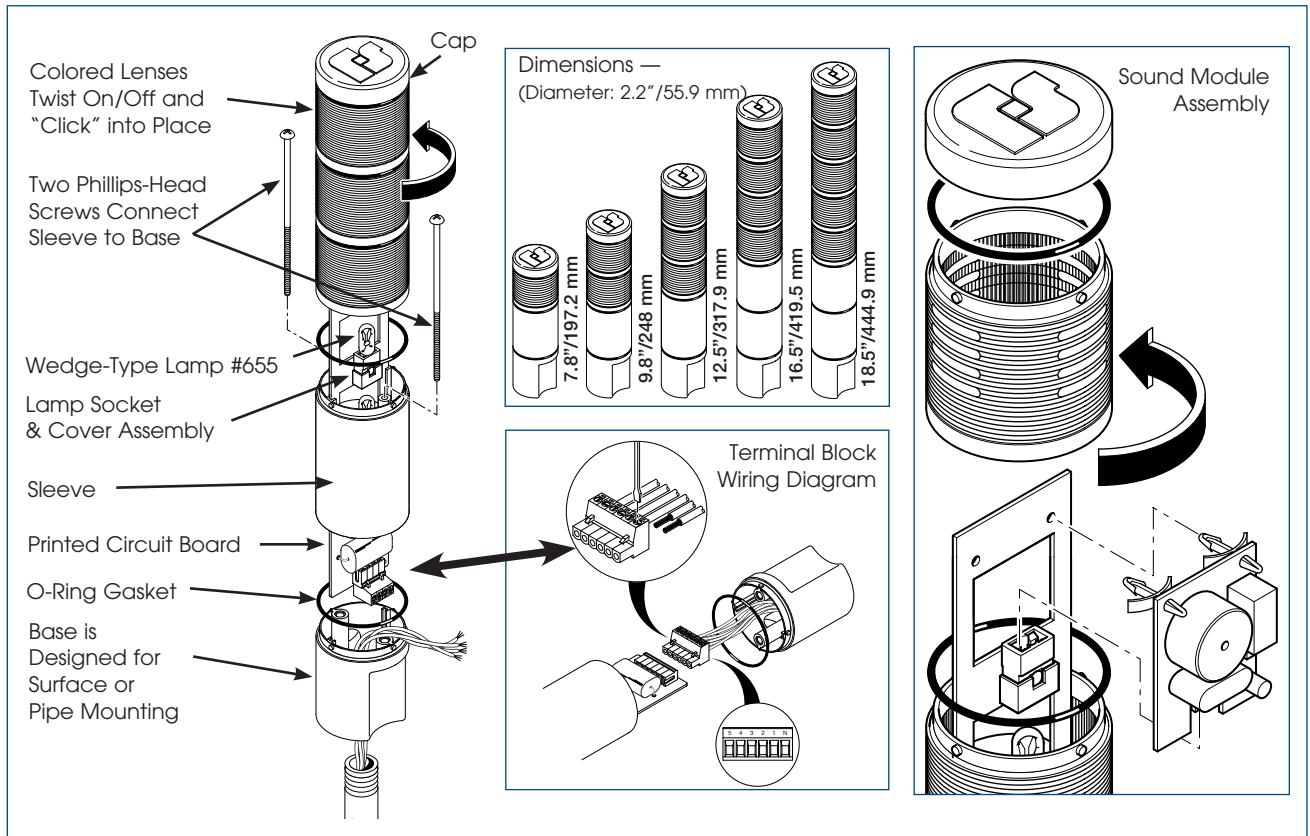
A pipe mount base, pipes and flashers are also available. See page 16 for a complete list of accessories.

Model	Description	Voltage	Operating Current
MSL1	One status segment	24VAC/DC, 120VAC, 240VAC	0.2 amps
MSL2	Two status segments	24VAC/DC, 120VAC, 240VAC	0.4 amps
MSL3	Three status segments	24VAC/DC, 120VAC, 240VAC	0.6 amps
MSL4	Four status segments	24VAC/DC, 120VAC	0.8 amps
MSL5	Five status segments	24VAC/DC, 120VAC	1.0 amps



¹ MSL with optional sounder rated NEMA Type 1.

MICROSTAT® STATUS INDICATOR (MSL)



SPECIFICATIONS

	7,000 Hours	7,000 Hours
Lamp Life:	7,000 Hours	7,000 Hours
Light Source:	Wedge-Type Lamp #655	
Operating Temperature:	32°F to 104°F	0°C to 40°C
Net Weight:		
1-high	0.4 lbs.	0.18 kg
2-high	0.55 lbs.	0.25 kg
3-high	0.65 lbs.	0.29 kg
4-high	0.85 lbs.	0.39 kg
5-high	1.0 lbs.	0.45 kg
Ship. Weight:		
1-high	0.7 lbs.	0.32 kg
2-high	0.85 lbs.	0.39 kg
3-high	1.3 lbs.	0.59 kg
4-high	1.5 lbs.	0.68 kg
5-high	1.65 lbs.	0.75 kg

HOW TO ORDER

- Determine number of status segments required; one for each light segment and one additional for a sounder
- Specify Model MSL1, MSL2, MSL3, MSL4, MSL5.
- Specify colors for MSL1 and MSL2 (MSL3, MSL4 and MSL5 are packaged with one each of the colored lenses)
- Specify voltage
- Specify Accessories (see page 16)
- Please refer to Model Number Index MSL beginning on page 368

REPLACEMENT PARTS

Description	Part Number	Description	Part Number
Lens, Amber	K8447042A	Terminal Block (3 position)	K140373A-03
Lens, Clear	K8447042A-02	Terminal Block (4 position)	K140373A-04
Lens, Red	K8447042A-04	Terminal Block (6 position)	K140373A-06
Lens, Blue	K8447042A-01	Light Barrier	K8447061A
Lens, Green	K8447042A-03	Cap	K8447044A
Wedge Lamp (#655), .28V	K8107185A	O-Ring	K8447054B
MSLED Lamp	Please refer to page 16		