



# Explosion-Proof Electronic Siren

## Model SSTX-MV

### DESIGNED FOR USE IN EXPLOSION-PROOF ENVIRONMENTS

- Multi-voltage design – accepts 24VDC, 120VAC or 240VAC
- Produces one of four tones – wail, yelp, horn and temporal slow whoop
- Produces 101-108dBa @ 10'
- NEMA 4X, IP66 Approved
- UL and cUL Listed

Federal Signal's SSTX-MV is an explosion-proof electronic siren capable of producing one of four high decibel tones from the same unit. The circuitry is contained in a rugged die-cast aluminum amplifier housing. The unique threaded rear access cover eliminates traditional time consuming bolting patterns. The access cover is also equipped with a braided cable lanyard securing it to the housing whenever the cover is open for installation or maintenance.

The Model SSTX-MV features internal amplification and tone circuitry capable of reproducing one of four different tones. The user selects from the wail, yelp, horn or temporal slow whoop tone by reconfiguring the internal jumpers.

This unit operates on 24VDC, 120VAC or 240VAC. It is capable of producing up to 108dBa @ 10 feet (118dBa @ 1m).

This electronic siren is UL and cUL Listed for Class I, Division 1, Groups B, C & D.

The Model SSTX-MV can be used as a stand-alone, full output, audible warning device in any explosion-proof environment where voice paging is not required.

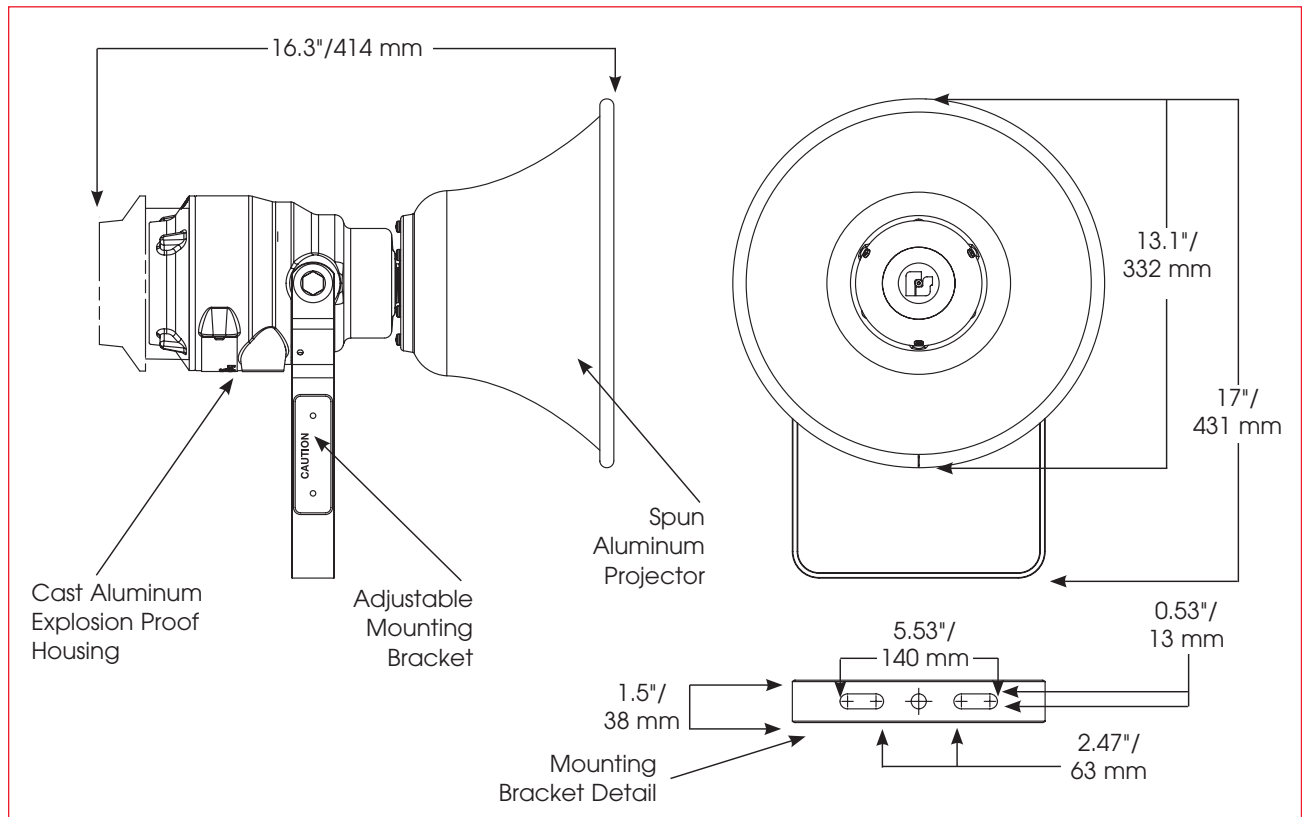
Typical uses include emergency warning, start and dismissal, general alarm and evacuation.

Federal Signal's Model SSTX-MV Explosion-Proof Electronic Siren is an economical multi-tone siren that is designed to hold up to the rigors of explosive and corrosive environments.

Model	Voltage	Operating Current	Decibels @	
			Tone	10' 1m
SSTX-MV	24VDC	0.60 amps	Wail	108 118
SSTX-MV	120VAC	0.21 amps	Yelp	108 118
SSTX-MV	240VAC	0.12 amps	Horn	101 111
SSTX-MV	240VAC	0.12 amps	Temporal Slow Whoop	102 112



## EXPLOSION-PROOF ELECTRONIC SIREN (SSTX-MV)



### SPECIFICATIONS

Operating Temperature:	-31°F to 161°F	-35°C to 72°C
Net Weight:	15.4 lbs.	7.0 kg
Shipping Weight:	22.8 lbs.	10.4 kg
Height:	17.0"	431.80 mm
Width:	13.1"	332.73 mm
Depth:	16.3"	414.02 mm

### HOW TO ORDER

- Specify model number
- Please refer to Model Number Index SSTX-MV beginning on page 375

### REPLACEMENT PARTS

<i>Description</i>	<i>Part Number</i>
PCB Assembly	K2001177D-01
Connector, 4-Position	K140340B
Projector Assembly	K8593100A
Driver Assembly	K8593097A