



# ATEX Call Point-Break Glass

Model WCP-BG

Model WCP-BG break glass manual call points are approved for Zone 1, 2, 21 and 22 hazardous areas for the control of fire and gas alarm systems. Available with and without monitoring resistors all versions are certified to ATEX and IECEx standards.

## FEATURES:

- Zone 1, 2, 21 and 22 hazardous area approved
- Works as a control for fire and gas alarm systems
- Manufactured from corrosion proof, marine grade, copper free LM6 aluminum
- Certified to ATEX and IECEx Standards

The WCP-BG features enclosures manufactured from corrosion proof, marine grade, copper free LM6 (A413) aluminium which is phosphated and powder coated.

## APPROVALS:

- ATEX certificate: Sira10ATEX3103X
- IECEx certificate: IECEx SIR 10.0047X

EN 60079-0:2006/IEC 60079-0:2007  
 EN 60079-1:2004/IEC 60079-1:2003  
 EN 60079-7:2007/IEC 60079-7:2006  
 EN 60079-18:2004/IEC 60079-18:2006

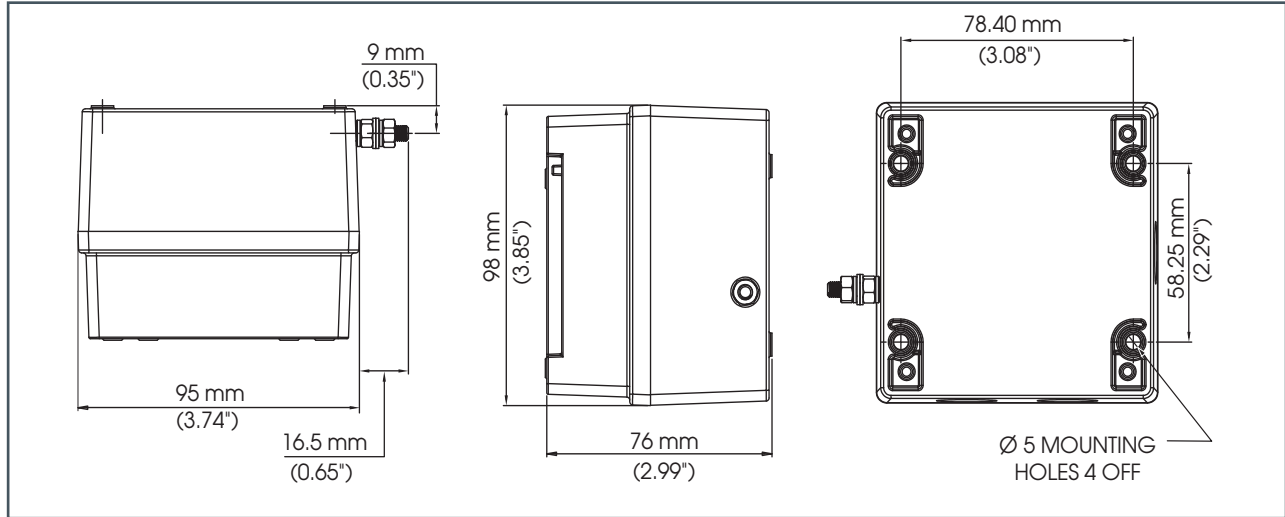
EN 61241-0:2006/IEC 61241-0:2004  
 EN 61241-1:2004/IEC 61241-1:2004



Model:	Category:	Voltage:	Switch Rating:			Monitoring Resistors:	Terminals:	Cable Entries:	Weight:
WCP-BG	II 2G Ex e d IIC T6 Gb II 2D Ex tb IIIC T60°C Db IP66 Ta = -40°C to +55°C	250V ac Max.	5.0A Max.			N	6 x 4mm <sup>2</sup>	2 x M20 Top/Bottom 1 x M20 Left/Right	0.8Kg
		50V dc Max.	1.0A Max.						
WCP-BG-XXX*	II 2G Ex e d mb IIC T4 Gb II 2D Ex tb IIIC T75°C Db IP66 Ta = -40°C to +50°C	56V dc Max. Rating: <50V: 1.0A >50V: 0.75A	Nominal Voltage:	Maximum Voltage:	Min. EOL / Series Value:	Y	6 x 4mm <sup>2</sup> or 8 x 2.5mm <sup>2</sup> DIN rail	2 x M20 Top/Bottom 1 x M20 Left/Right	0.8Kg
			48V	56V	1K8				
			24V	28V	470R				
			12V	15V	120R				
			6V	9V	47R				

\*XXX is a placeholder for end-of-line and/or series resistor that must be included at time of order.

## ATEX CALL POINT BREAK GLASS (WCP-BG)



### SPECIFICATIONS

WCP-BG:	II 2G Ex e d IIC T6 Gb II 2D Ex t IIIC T60°C Db IP66	Cable entries:	2 x M20 clearance top and 1 x M20 clearance side. Back box can be rotated to give 2 x bottom and 1 x side entries.
WCP-BG-XXX:	II 2G Ex e d mb IIC T4 Gb II 2D Ex t IIIC T75°C Db IP66	Stopping plugs:	2 x Exe nylon plugs as standard Brass and stainless steel plugs optional
Ambient:	Ta = -40°C to +55°C (+50°C for WCP-BG-XXX)	Terminals:	6 x 4.0mm <sup>2</sup> cables
Housing material:	Marine grade copper free LM6 Aluminium	Product Weight:	0.8 kg.
Ingress protection:	IP66	Shipping Weight:	0.9 kg
Housing finish:	Phosphated & powder coated finish: anti- corrosion.	Optional DIN rail terminal blocks:	8 x 2.5mm
Color:	RAL3000 Red (others available on request)	Optional duty label:	Metalized polyester

### SERVICE PARTS

Description	Part Number
Replacement Glass (10pk)	KGL4076215
Test Key	KAKSA07

### HOW TO ORDER

#### Standard Model

**WCP-BG - S**

MODEL	TYPE
WCP-BG ATEX Call Point Break Glass	<b>S</b> - Standard Terminal <b>SF</b> - Standard w/Lift Flap <b>SL</b> - Standard Duty Label <b>SFL</b> - Standard w/Lift Flap and Duty Label

#### Resistor Model

**WCP-BG - S - - -**

MODEL	TYPE		
WCP-BG ATEX Call Point Break Glass	<b>D</b> - DIN Rail Terminal <b>DF</b> - DIN Rail w/Lift Flap <b>DL</b> - DIN Rail Duty Label <b>DFL</b> - DIN Rail w/Lift Flap and Duty Label	Specify End-of- the-Line Resistor*	Specify Series Resistor*