



ATEX Call Point- Tool Reset

Model WCP-TR

Model WCP-TR push button, tool resettable manual call points are approved for Zone 1, 2, 21 and 22 hazardous areas for the control of fire and gas alarm systems. Available with and without monitoring resistors all versions are certified to ATEX and IECEx standards.

The push button mechanism is protected by a spring loaded cover therefore the switch requires a two-action activation. The push button is user resettable via the use of the special key supplied with the unit.

The WCP-TR features enclosures manufactured from corrosion proof, marine grade, copper free LM6 (A413) aluminium which is phosphated and powder coated.

FEATURES:

- Zone 1, 2, 21 and 22 hazardous area approved
- Works as a control for fire and gas alarm systems
- Spring loaded cover protects push button
- Requires two-action activation
- Manufactured from corrosion proof, marine grade, copper free LM6 aluminium
- Certified to ATEX and IECEx Standards

APPROVALS:

- ATEX certificate: Sira10ATEX3103X
- IECEx certificate: IECEx SIR 10.0047X

EN 60079-0:2006/IEC 60079-0:2007
 EN 60079-1:2004/IEC 60079-1:2003
 EN 60079-7:2007/IEC 60079-7:2006
 EN 60079-18:2004/IEC 60079-18:2006

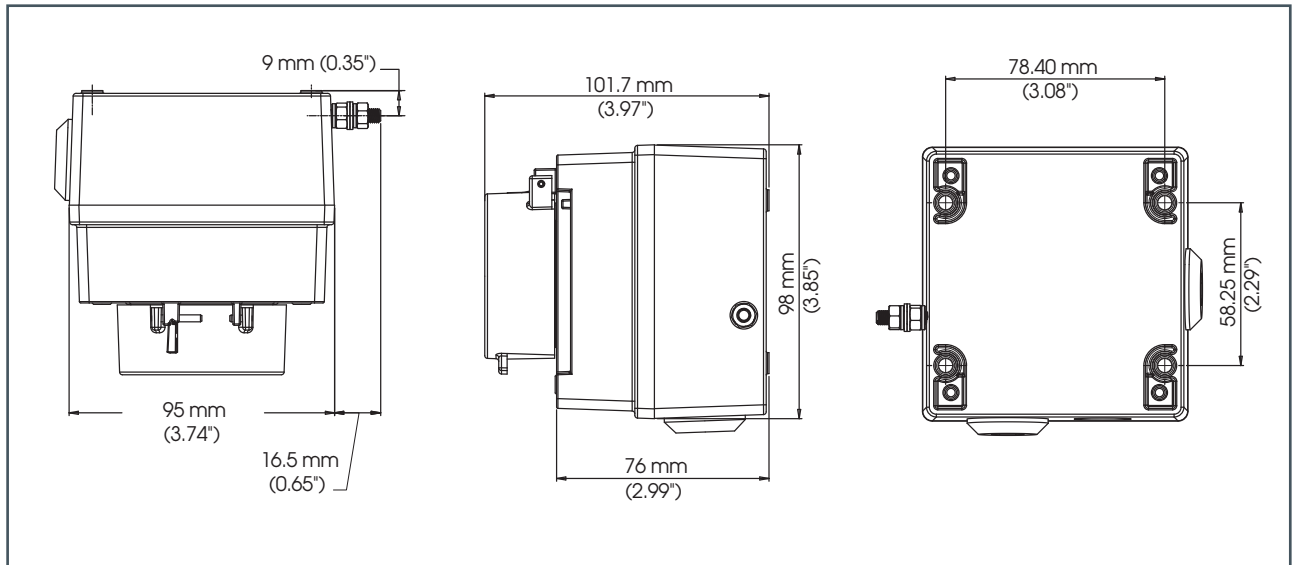
EN 61241-0:2006/IEC 61241-0:2004
 EN 61241-1:2004/IEC 61241-1:2004
 EN 61241-1:2004/IEC 61241-1:2004



Model:	Category:	Voltage:	Switch Rating:			Monitoring Resistors:	Terminals:	Cable Entries:	Weight:
WCP-TR	II 2G Ex e d IIC T6 Gb II 2D Ex tb IIIC T60°C Db IP66 Ta = -40°C to +55°C	250V ac Max.	5.0A Max.			N	6 x 4mm ²	2 x M20 Top/Bottom 1 x M20 Left/Right	0.8Kg
		50V dc Max.	1.0A Max.						
WCP-TR-XXX*	II 2G Ex e d mb IIC T4 Gb II 2D Ex tb IIIC T75°C Db IP66 Ta = -40°C to +50°C	56V dc Max. Rating: <50V: 1.0A >50V: 0.75A	Nominal Voltage:	Maximum Voltage:	Min. EOL / Series Value:	Y	6 x 4mm ² or 8 x 2.5mm ² DIN rail	2 x M20 Top/Bottom 1 x M20 Left/Right	0.8Kg
			48V	56V	1K8				
			24V	28V	470R				
			12V	15V	120R				
			6V	9V	47R				

*XXX is a placeholder for end-of-line and/or series resistor that must be included at time of order.

ATEX CALL POINT TOOL RESET (WCP-TR)



SPECIFICATIONS

WCP-TR:	II 2G Ex e d IIC T6 Gb II 2D Ex tb IIIC T60°C Db IP66	Stopping plugs:	2 x Exe nylon plugs as standard Brass and stainless steel plugs optional
WCP-TR-XXX:	II 2G Ex e d mb IIC T4 Gb II 2D Ex tb IIIC T75°C Db IP66	Terminals:	6 x 4.0mm ² cables
Ambient:	Ta = -40°C to +55°C (+50°C for WCP-TR-XXX)	Weight:	0.8 kg
Housing material:	Marine grade copper free LM6 Aluminium	Optional DIN rail terminal blocks:	8 x 2.5mm
Ingress protection:	IP66	Optional duty label:	Metalized polyester
Housing finish:	Phosphated & powder coated finish: anti-corrosion.		
Color:	RAL3000 Red (others available on request)		
Cable entries:	2 x M20 clearance top and 1 x M20 clearance side. Back box can be rotated to give 2 x bottom and 1 x side entries.		

REPLACEMENT PARTS

<u>Description</u>	<u>Part Number</u>
Tool Reset	KAK15095001

HOW TO ORDER

Standard Model

WCP-TR - S

MODEL	TYPE
WCP-TR ATEX Call Point Tool Reset	S - Standard Terminal
	SL - Standard Duty Label
	D - DIN Rail
	DL - DIN Rail w/ Duty Label

Resistor Model

WCP-TR - S - - - -

MODEL	TYPE		
WCP-TR ATEX Call Point Tool Reset	S - Standard Terminal	Specify End-of- the-Line Resistor*	Specify Series Resistor*
	SL - Standard Duty Label		
	D - DIN Rail		
	DL - DIN Rail w/ Duty Label		