

HS5B/HS5E Door Handle Actuator

Key features:

- Easy and secure operation
- Rattling doors can be locked smoothly and securely.
- A door can be locked with an actuator by pushing and turning the handle.
- Padlock tab is provided to ensure operator safety.
- Interlock switch with or without solenoid lock can be installed.
- LED shows solenoid status (when using HS5E-□44L□□-G).

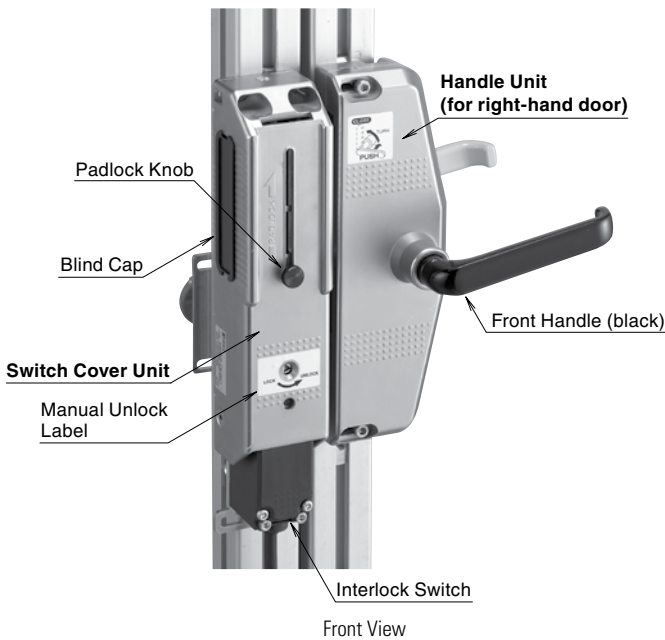


Part Numbers

Description		Ordering Type No.	Remarks
Handle Unit	For right-hand door	HS9Z-DH5RH	Choose according to the required opening side.
	For left-hand door	HS9Z-DH5LH	
Switch Cover Unit		HS9Z-DH5C	Used for installing the interlock switch inside.
HS5B Installation Kit		HS9Z-DH5B	Contains a mounting plate and two spacers.
Rear Unlocking Button Kit ¹		HS9Z-FL53	Mounting panel thickness (X): 20 ≤ X ≤ 30mm ²
		HS9Z-FL54	Mounting panel thickness (X): 30 ≤ X ≤ 40mm ²

1. Use the kit in combination with the HS5E-□44L□□-G rear unlocking button type interlock switch.
2. Mounting panel is a frame or a panel.

Parts Description



Overview

XW Series E-Stops

Interlock Switches

Enabling Switches

Safety Control Relays

Light Curtains

AS-Interface Safety at Work

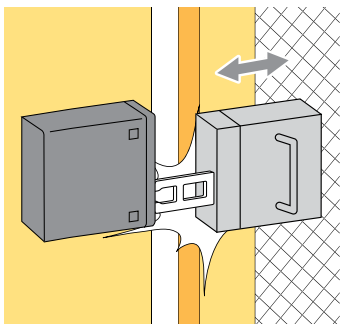
Specifications

Applicable Interlock Switch	HS5B Metal Head Interlock Switch ¹ HS5E Rear Unlocking Button Type Interlock Switch with Solenoid ²
Operating Temperature	-25 to +70°C (no freezing)
Mechanical Durability	100,000 operations minimum
Applicable Shackle Diameter of Padlock	ø6 to 7.5 mm
Withstand Load of Padlock Tab	30N maximum
Handle Operation Angle	77° (removed position ↔ inserted position)
Insulation Resistance (500V DC megger)	Between live and dead metal parts: 100 MΩ minimum Between terminals of different poles: 100 MΩ minimum.

- i** 1. HS5B-□□ZB, HS5B-□□ZBM
2. HS5E-□44L□□-G
Interlock switch is not supplied with the actuator and must be ordered separately.
For the specifications of interlock switches, see pages XX, XX, and XX.

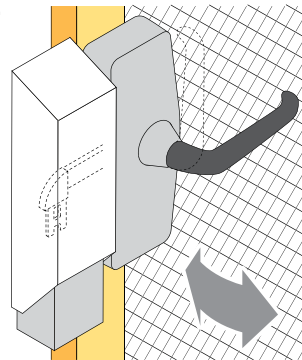
Rotational handle actuator can be inserted/removed smoothly on rattling doors.

Conventional Sliding Actuator



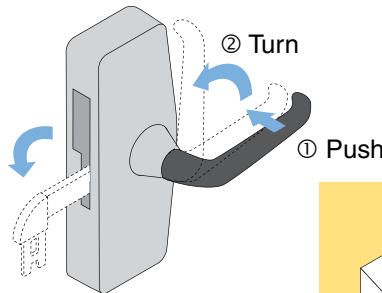
IDEC's Door Handle Actuator

Rattling doors can be locked smoothly and securely.

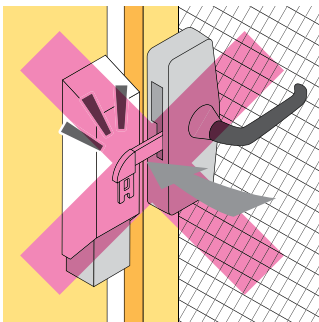
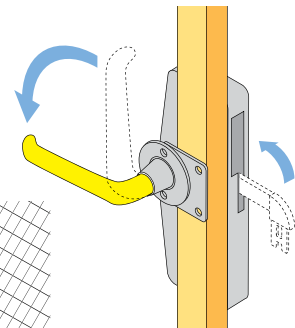


The door can be locked and unlocked by pushing and turning the handle.

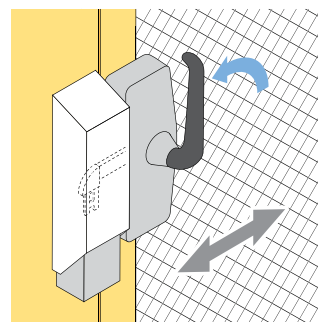
The actuator can be inserted into the interlock switch by pushing and turning the front handle. The actuator can be removed from the interlock switch by turning the front handle.



The rear handle can remove the actuator, but cannot insert the actuator.



Because the handle can be turned only while it is pushed, the actuator is prevented from hitting the switch cover unit.



Sliding doors can also be locked securely.

Padlockable tab ensures operator's safety.

When padlocks are installed on the padlock tab, the machine cannot be started because the actuator entry slot is blocked and the actuator cannot enter the interlock switch. By requiring all operators to have their own padlock and installing them on the door handle actuator before entering the hazardous area, the door will not be closed unless all padlocks are removed—i.e. all operators have left the hazardous area.

Note: Operators must observe rules in the workplace in order to ensure safety. Residual risk such as failure to install padlocks must be taken into consideration.



Interlock switch with/without solenoid locking can be selected.

HS5E

HS5B



(HS5E-□44L□□-G)

(HS5B-□□Z)

Door Handle Actuator Configuration

Interlock Switches



HS5E-□44L□□-G
Rear Unlocking
Button Type



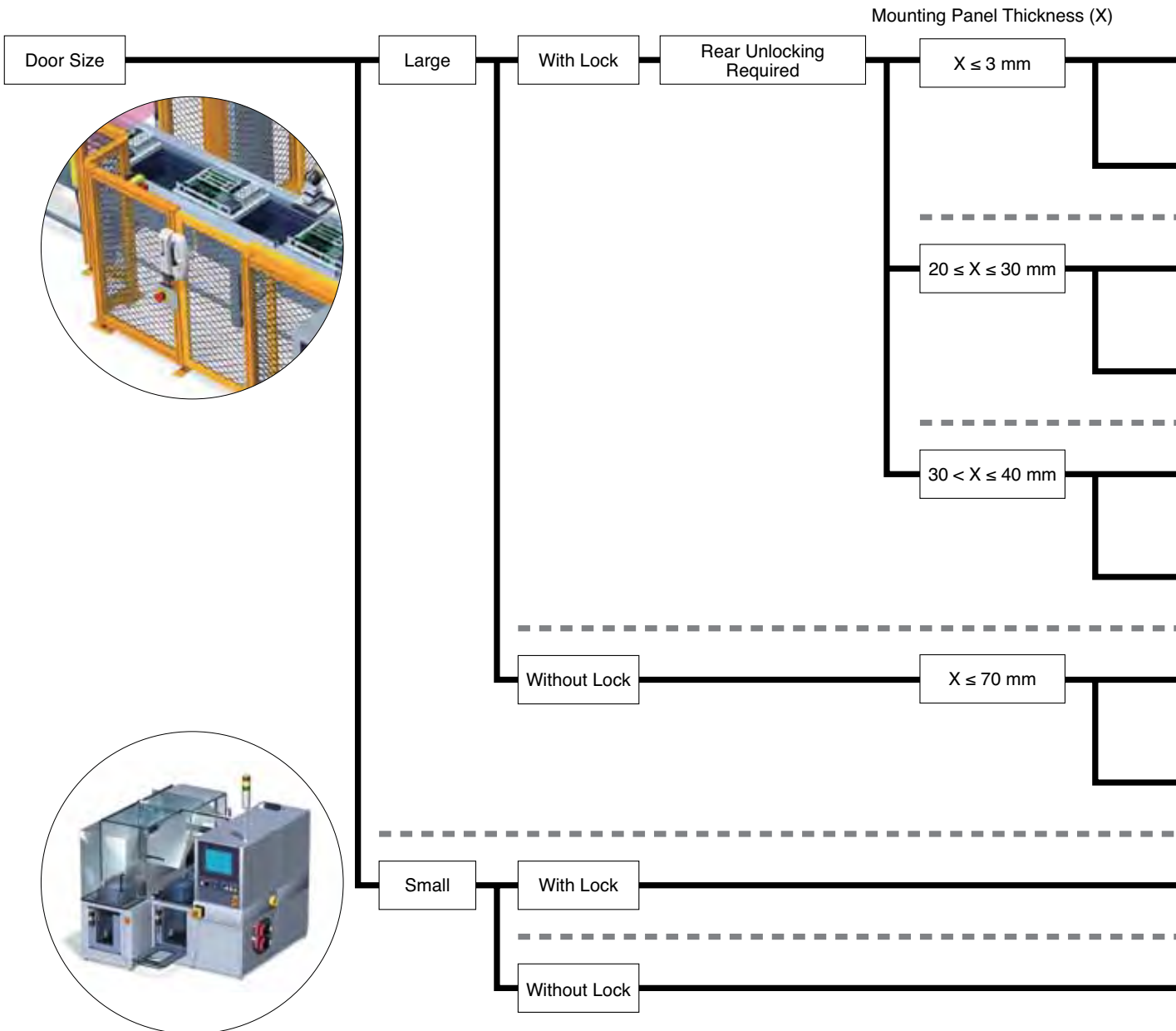
HS5B-□□Z
Metal Head Type

Switch Cover Unit



HS9Z-DH5C

Selection Chart



Handle Unit

Right-hand Door



HS9Z-DH5RH

Left-hand Door



HS9Z-DH5LH

Accessories

Rear Unlocking Button Kit



HS9Z-FL53
HS9Z-FL54

HS5B Installation Kit



HS9Z-DH5B

Overview

XW Series E-Stops

Interlock Switches

Enabling Switches

Safety Control Relays

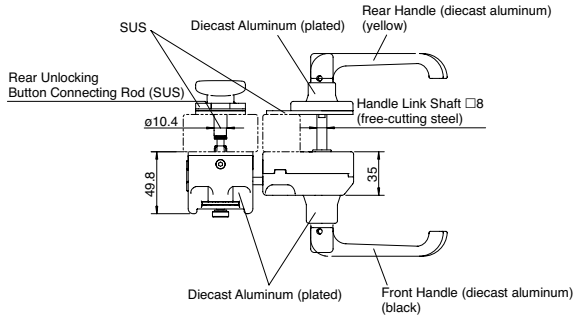
Light Curtains

AS-Interface Safety at Work

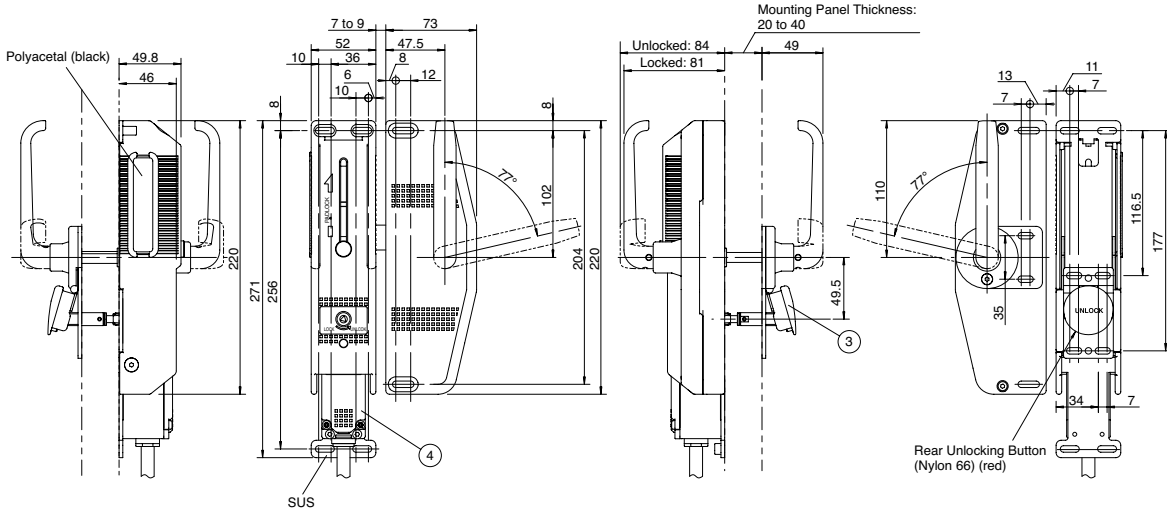
	Handle Unit		Switch Cover Unit		Accessories		Interlock Switch
—	Right-hand Door HS9Z-DH5RH	+		+		+	
—	Left-hand Door HS9Z-DH5LH	+		+		+	
—	Right-hand Door HS9Z-DH5RH	+		+		+	
—	Left-hand Door HS9Z-DH5LH	+		+	Rear Unlocking Button Kit HS9Z-FL53	+	HS5E-44L**G (Rear Unlocking Button Type)
—	Right-hand Door HS9Z-DH5RH	+		+		+	
—	Left-hand Door HS9Z-DH5LH	+	HS9Z-DH5C	+	Rear Unlocking Button Kit HS9Z-FL54	+	
—	Right-hand Door HS9Z-DH5RH	+		+		+	
—	Left-hand Door HS9Z-DH5LH	+		+	HS5B Installation Kit HS9Z-DH5B	+	HS5B-**Z (Metal Head Type)
—	Sliding Actuator HS9Z-SH5	+		+		+	HS5E (All types)
—		+		+		+	HS5B-**Z (Metal Head Type)

Dimensions (mm)

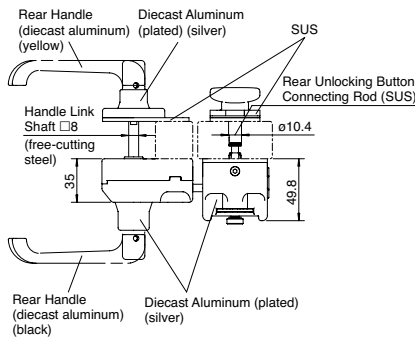
HS9Z-DH5RH (right-hand door) and HS5E-□44L□□-G Interlock Switch with Solenoid



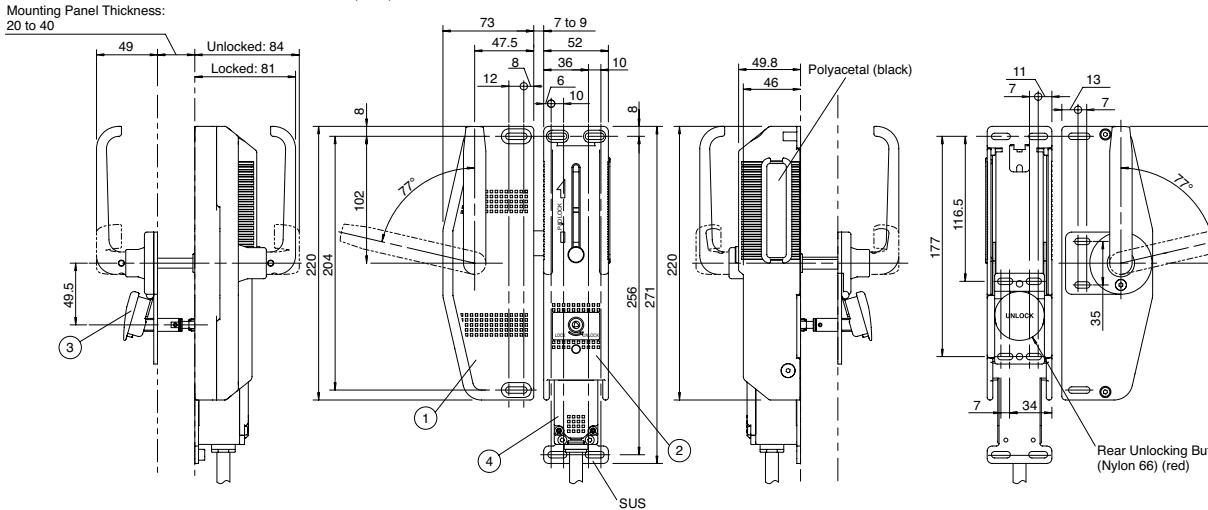
Legend	Description
1	Right-hand Door Handle Unit HS9Z-DH5RH
2	Switch Cover Unit HS9Z-DH5C
3	Rear Unlocking Button Kit HS9Z-FL5□
4	Interlock Switch HS5E-□44L□□-G



HS9Z-DH5LH (left-hand door) and HS5E-□44L□□-G Interlock Switch with Solenoid



Legend	Description
1	Left-hand Door Handle Unit HS9Z-DH5LH
2	Switch Cover Unit HS9Z-DH5C
3	Rear Unlocking Button Kit HS9Z-FL5□
4	Interlock Switch HS5E-□44L□□-G



Overview

XW Series E-Stops

Interlock Switches

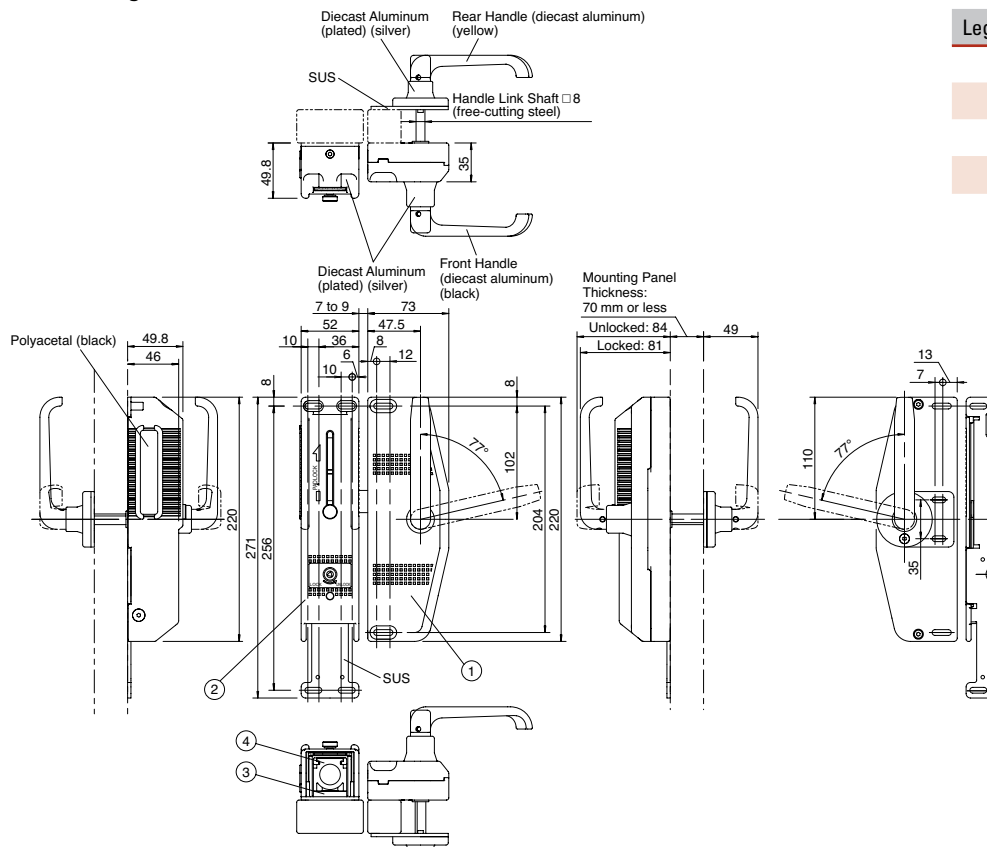
Enabling Switches

Safety Control Relays

Light Curtains

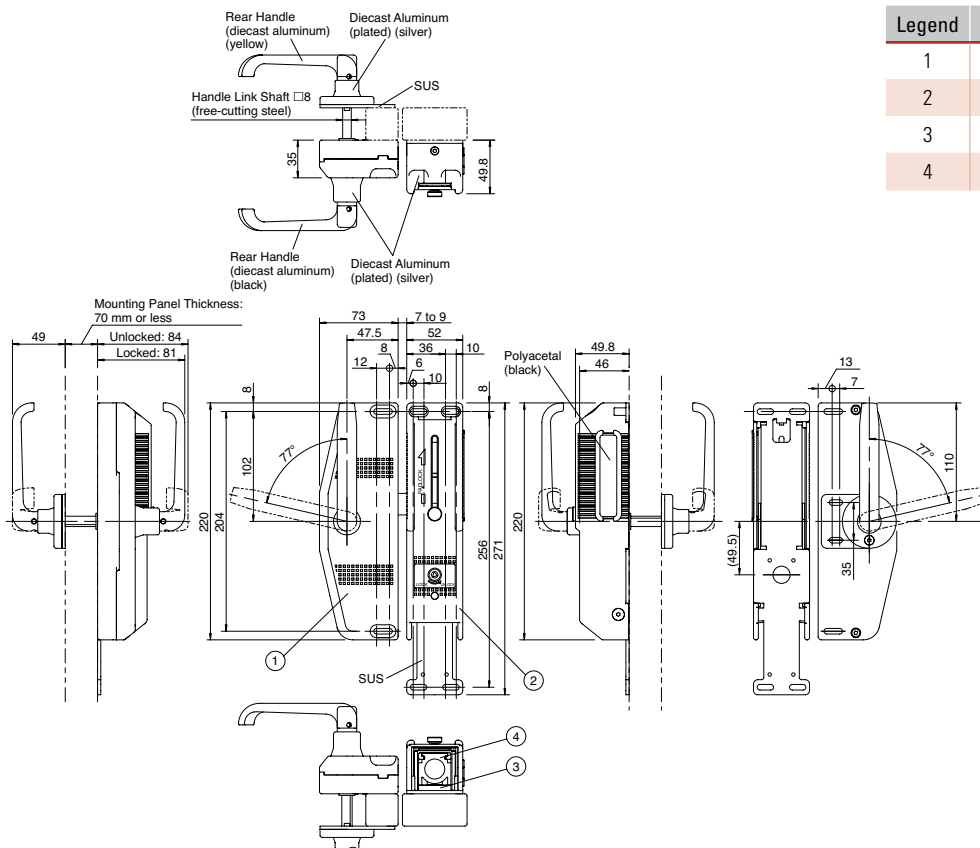
AS-Interface Safety at Work

HS9Z-DH5RH (right-hand door) and HS5B-□□Z Interlock Switch



Legend	Description
1	Right-hand Door Handle Unit HS9Z-DH5RH
2	Switch Cover Unit HS9Z-DH5C
3	HS5B Installation Kit HS9Z-DH5B
4	Interlock Switch HS5B-□□Z

HS9Z-DH5LH (left-hand door) and HS5B-□□Z Interlock Switch



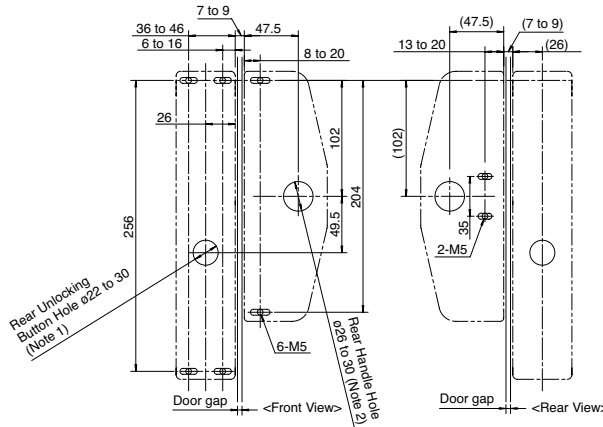
Legend	Description
1	Left-hand Door Handle Unit HS9Z-DH5LH
2	Switch Cover Unit HS9Z-DH5C
3	HS5B Installation Kit HS9Z-DH5B
4	Interlock Switch HS5B-□□Z

Panel Cut-out

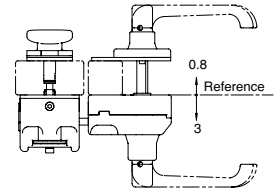
HS9Z-DH5RH right-hand door handle unit

When using the HS5E-□44L□□-G on the mounting panel of 3 mm or less in thickness (use the rear unlocking button).

When using the HS5B-□Z (mounting panel thickness $X \leq 70$ mm).

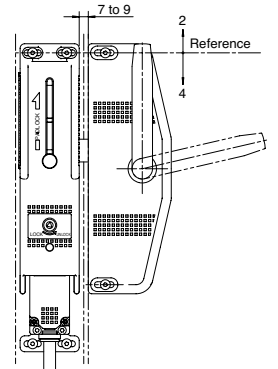
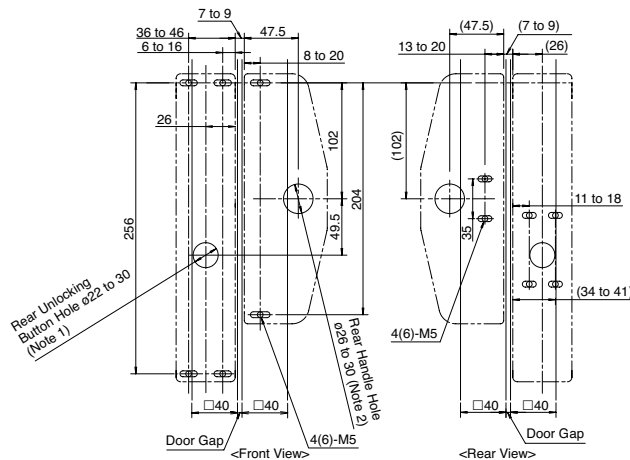


Mounting Position Tolerance



When using the HS5E-□44L□□-G on the mounting panel of 20 to 40 mm in thickness.

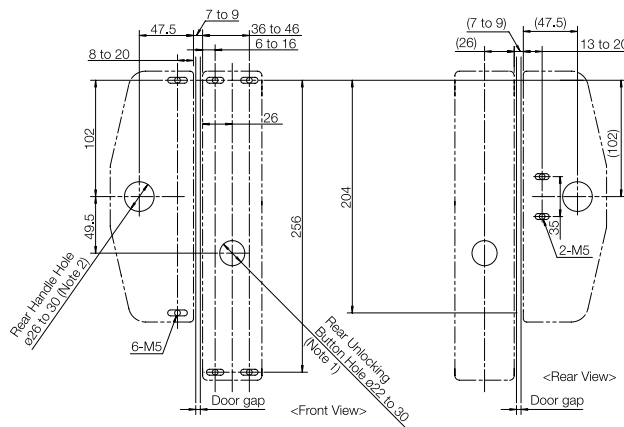
- Use the rear unlocking button kit (HS9Z-FL5□).
- In the figure shown on the right, □40mm frame is used.



HS9Z-DH5LH left-hand door handle unit

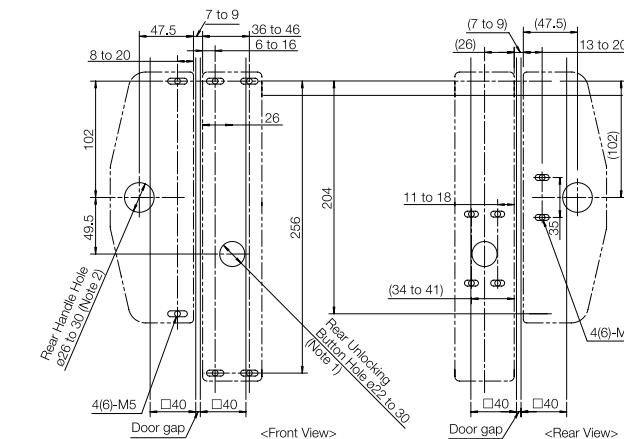
When using the HS5E-□44L□□-G on the mounting panel of 3 mm or less in thickness (use the rear unlocking button).

When using the HS5B-□Z (mounting panel thickness $X \leq 70$ mm).



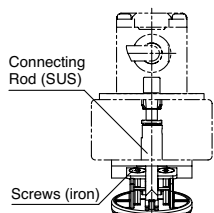
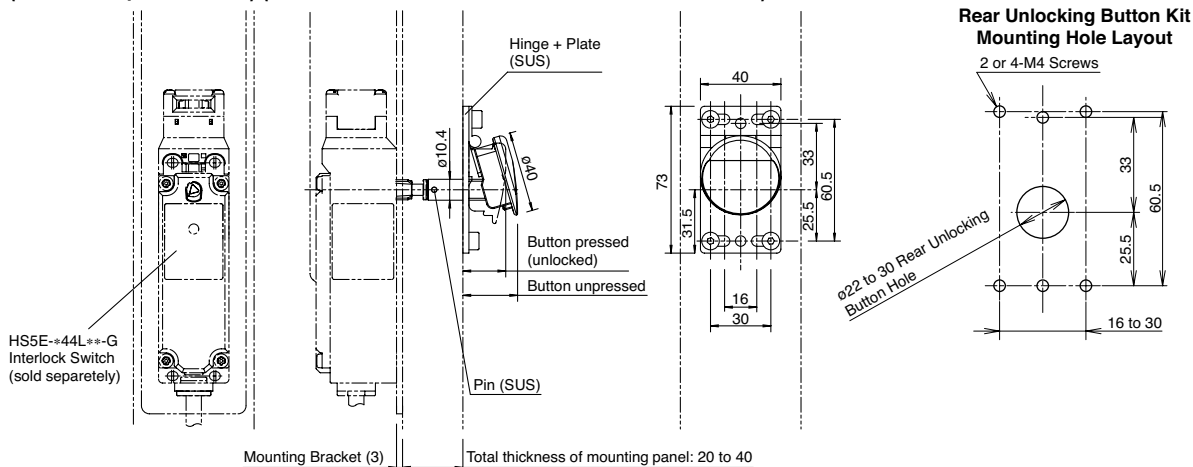
When using the HS5E-□44L□□-G on the mounting panel of 20 to 40 mm in thickness.

- Use the rear unlocking button kit (HS9Z-FL5□).
- In the figure shown on the right, □40mm frame is used.

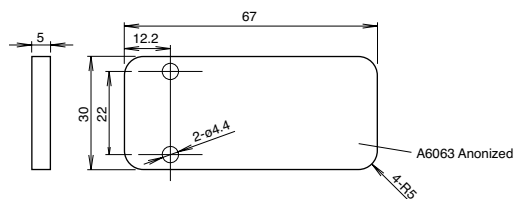


Note 1: Required when using the HS5E-□44L□□-G.
Not required when using the HS5B-□□Z (without locking function).
Note 2: Ensure that the hole in the mounting panel does not interfere with the rear handle shaft.

Rear Unlocking Button Kit (HS9Z-FL53/HS9Z-FL54) (Use with the HS5E-*44L -G Interlock Switch)**



HS5B Installation Kit (HS9Z-DH5B)



Note: The illustration kit contains the aluminum mounting plate shown above and two spacers.

For more information, download instruction sheet from web.