

## PRODUCT FEATURES

- Compact, Space Saving Package
- Full IEEE 802.3 Compliance
- Eight 10/100BaseTX RJ-45 Ports
- Three 100BaseFX Ports, ST or SC Style
- Unmanaged Operation
- Extended Environmental Specifications
- -40°C to 80°C Operating Temperature
- >2 Million Hours MTBF
- Supports Full/Half Duplex Operation
- Auto Sensing 10/100BaseTX, Duplex, MDIX
- Full Wire Speed Communication
- Store-and-Forward Technology
- Redundant Power Inputs (10-49 VDC)
- ESD Protection Diodes on all RJ-45 Ports
- Surge Protection Diodes on Power Inputs
- LED Link/Activity Status Indication
- Hardened Metal DIN-Rail Enclosure



## PRODUCT OVERVIEW

The N-TRON® 111FX3 unmanaged industrial network switch is designed to meet the most demanding communications requirements while providing high throughput and minimum downtime. The 11-port Ethernet switch is the perfect low-cost solution for mission critical data acquisition, control, and Ethernet I/O applications.

### Exceptional Quality

The ultra-compact 111FX3 provides exceptional performance and reliability under harsh conditions. Enclosed in a high-grade metal case, the switch offers a robust feature set that includes an extended temperature range, superior shock and vibration resistance, redundant power inputs, surge and ESD protection, and an exceptional MTBF—greater than two million hours. The space-saving design includes an attached DIN-rail bracket for quick installation.

### Versatile Connectivity

The 111FX3 includes eight RJ-45 auto-sensing 10/100BaseTX ports. All ports support full/half duplex transmission and use N-Tron's proven Ethernet switching technology. Setup is easy. The unit automatically configures itself on the network and auto-negotiates both speed and flow control for all copper ports.

For fiber optic networks, the 111FX3 supplies three 100BaseFX ports. These connections provide vital support for applications where EMI immunity or communication over long distances (up to 80 km) is required. N-Tron offers singlemode or multimode installations, as well as SC- or ST-style connectivity.

### Excellent Network Support

The 111FX3 is a brilliant plug-and-play solution for unmanaged operations, eliminating virtually all network collisions. Designed with advanced communication processing, store-and-forward programming and memory for up to 8,000 MAC-addresses, this powerful unit handles the demands of even the most complex networks. Intelligent auto-sensing ports instantly recognize and resolve 10/100BaseTX, MDIX and duplex conflicts. For added convenience, LEDs are provided to display link status and activity for each port.

## Specifications

### Switch Properties

Number of MAC Addresses:	8000
Latency Typical:	2.6 $\mu$ s
Switching Method:	Store-and-Forward

### Case Dimensions

Height:	4.3"	(10.8 cm)
Width:	2.4"	(6.1 cm)
Depth:	4.6"	(11.5 cm)
Weight (max):	1.4 lbs	(0.64 kg)
DIN-Rail Mount:	35mm	

### Electrical

Redundant Input Voltage:	10-49 VDC (Regulated)
Input Current (max):	410mA max.@24 VDC
BTU/hr:	33.6@24 VDC
N-Tron Power Supply:	NTPS-24-1.3 (1.3A@24V)

### Environmental

Operating Temperature:	-40°C to 80°C
Storage Temperature:	-40°C to 85°C
Operating Humidity:	5% to 95% (Non Condensing)
Operating Altitude:	0 to 10,000 ft.

### Shock and Vibration (bulkhead mounted)

Shock:	200g @ 10ms
Vibration/Seismic:	50g, 5-200Hz, Triaxial

### Reliability

MTBF:	>2 Million Hours
-------	------------------

### Network Media

10BaseT:	$\geq$ Cat3 Cable
100BaseTX:	$\geq$ Cat5 Cable

### Connectors

10/100BaseTX:	Eight (8) RJ-45 Copper Ports
100BaseFX:	Three (3) SC or ST Fiber Duplex Ports

### Recommended Wiring Clearance

Front:	4"	(10.16 cm)
Side:	1"	(2.54 cm)

### Fiber Transceiver Characteristics

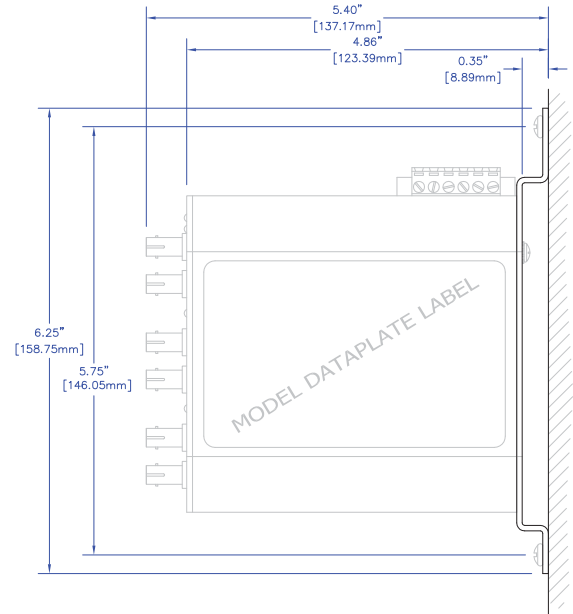
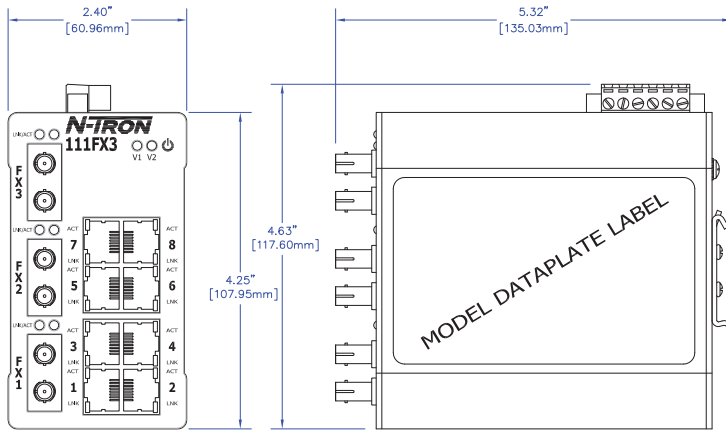
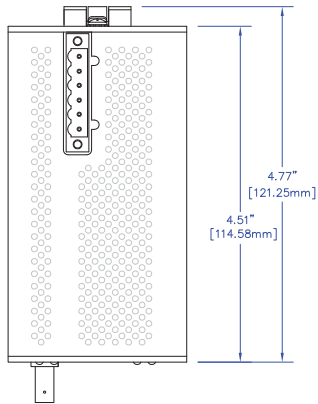
Fiber Length	2km*	15km**	40km**	80km**
TX Power Min	-19dBm	-15dBm	-5dBm	-5dBm
RX Sensitivity Max	-31dBm	-31dBm	-34dBm	-34dBm
Wavelength	1310nm	1310nm	1310nm	1550nm

\* Multimode Fiber Optic Cable  
\*\* Singlemode Fiber Optic Cable

### Regulatory Approvals

- FCC: Title 47, Part 15, Subpart B, Class A; ANSI C63.4; ICES-003
- UL /cUL: Class I, Div 2, Groups A, B, C, D and T4
- CE: IEC 61000-4-2/3/4/5/6/8/11, EN 61000-6-2/4
- GOST-R Certified, RoHS Compliant





OPTIONAL COMPACT PANEL MOUNT ASSY.  
( P/N: CPMA-1 )

## ORDERING INFORMATION

PART NUMBER	DESCRIPTION
111FX3-XX .....	11-Port (8 10/100BaseTX, 3 100BaseFX Fiber Ports, multimode) Industrial Ethernet Switch, DIN-Rail
111FXE3-XX-YY .....	11-Port (8 10/100BaseTX, 3 100BaseFX Fiber Ports, singlemode) Industrial Ethernet Switch, DIN-Rail
NTPS-24-1.3 .....	N-Tron Power Supply (1.3 amp @ 24 VDC)
CPMA-1 .....	Compact Panel Mount (factory installed option)
URMK.....	Universal Rack Mount Kit

Where: E = Singlemode  
XX = ST for ST style fiber connector, SC for SC style fiber connector  
YY = Segment length:  
15 for 15km max. fiber segment length  
40 for 40km max. fiber segment length  
80 for 80km max. fiber segment length  
*Mixed fiber configurations available.*

N-TRON USA & Corporate Headquarters  
820 S. University Blvd • Suite 4E  
Mobile, AL 36609 • USA  
Phone +1-251-342-2164  
Fax +1-251-342-6353

[www.n-tron.com](http://www.n-tron.com)

N-TRON ASIA PACIFIC  
CHINA  
Phone +86 (0) 21-6113-3688  
Fax +86 (0) 21-6113-3683

INDIA  
Phone +91-9844-876540

SINGAPORE  
Phone +65-8118-6821

N-TRON EMEA  
Phone +41-41-740-6636  
Fax +41-41-740-6637

N-TRON UK/IRELAND/NORDIC/BENELUX  
Phone +44 (0) 1928-577257

please visit us worldwide at [www.n-tron.com](http://www.n-tron.com)

© 2011 N-TRON Corporation. N-Tron and the N-Tron logo are trademarks of N-TRON, Corporation. Product names mentioned herein are for identification purposes only and may be trademarks and/or registered trademarks of their respective company. The responsibility for the use and application of N-Tron products rests with the end user. N-Tron makes no warranties as to the fitness or suitability of any N-Tron product for any specific application. N-Tron Corporation shall not be liable for any damage resulting from the installation, use, or misuse of this product. Specifications subject to change without notice. REV 2011.03.25

**QUALITY MANAGEMENT SYSTEM**

**CERTIFIED BY DNV**

**ISO 9001:2008**