

Take control of legacy serial devices with ESERV-11T or ESERV-12T Industrial Ethernet Serial Servers. Setup devices, upgrade firmware and monitor activity with Easy Configuration Manager software. Existing serial devices can be monitored and controlled from your desktop or anywhere on your Ethernet LAN/WAN—even offsite through the Internet. Updates can also be made through Telnet. Heartbeat connectivity keeps the serial server on-line. If connectivity is lost, these servers will attempt to reconnect every five seconds until a connection is regained. Manual rebooting is not required.

## PRODUCT FEATURES

- Supports Data Rates up to 230.4 Kbps
- Wide -34 to 80°C Temperature Range
- 10 to 58 VDC Input Power Range
- Built-in, Switchable Termination & Bias
- Single or Dual Port Serial Connectivity
- Ethernet Fiber Options

## Specifications

### Serial Technology

RS-232	TD, RD, RTS, CTS, DTR, RSR, DTD, GND
RS-485 2-Wire	Data A(-), Data B(+), GND
RS-422/485 4-Wire	TDA(-), TDB(+), RDA(-), RDB(+), GND
Serial Connectors:	
ESERV-11T:	DB9M or removable terminal block
ESERV-12T:	2 removable terminal blocks
Data Rate	up to 230.4 kbps

### Network

Serial Memory	8KB per port
Network Memory	4KB
IP Port Address	5300 - Heartbeat and configuration Setting in TCP mode (paired mode) 8888 - ESERV-1XT Update
Mac Address Table	2k

### Network Communications

LAN	10/100 Mbps Auto-Detecting 10BaseT, 100BaseTX, (RJ-45) or 100Base fiber (ST connector)
-----	--

### Network Physical Layer Standards

Ethernet	IEEE 802.3 auto detecting & auto MDI/MDX 10BaseT and 100BaseTX
----------	---

### Protocols

TCP, IPv4, UDP ARP, Telnet, HTTP 1.0, ICMP/PING, DHCP/BOOTP	
IP MODE	Static, DHCP
TCP	User Definable

### Configuration Software

OS Compatibility	Windows 2000, 2003 Server, XP, Vista
------------------	--------------------------------------



### Fiber Optic Technology

Type / Wavelength	Multi-mode / 1310nm
Output Power	-19 to -14dBm
Receive Sensitivity	~ -32dBm
Cable	62.5 / 125um
Connector	ST
Range	1.2 Miles (2km)

### Other

Connection Mode	Server, Client, VCOM, Paired
Client Connection Search	At Powerup or upon data arrival Serial direct COM and Ethernet Auto Search or specific IP
Diagnostics	Display PC IP, ping, test VCOM save test config (text readable)
Firmware Upgrade	Web GUI through Ethernet

### Power

Source	External
Input Voltage	10 to 58 VDC
Power Consumption	4.0 W
Power Connector	Removable Terminal Block
Wire Size Accepted	12 to 28 AWG

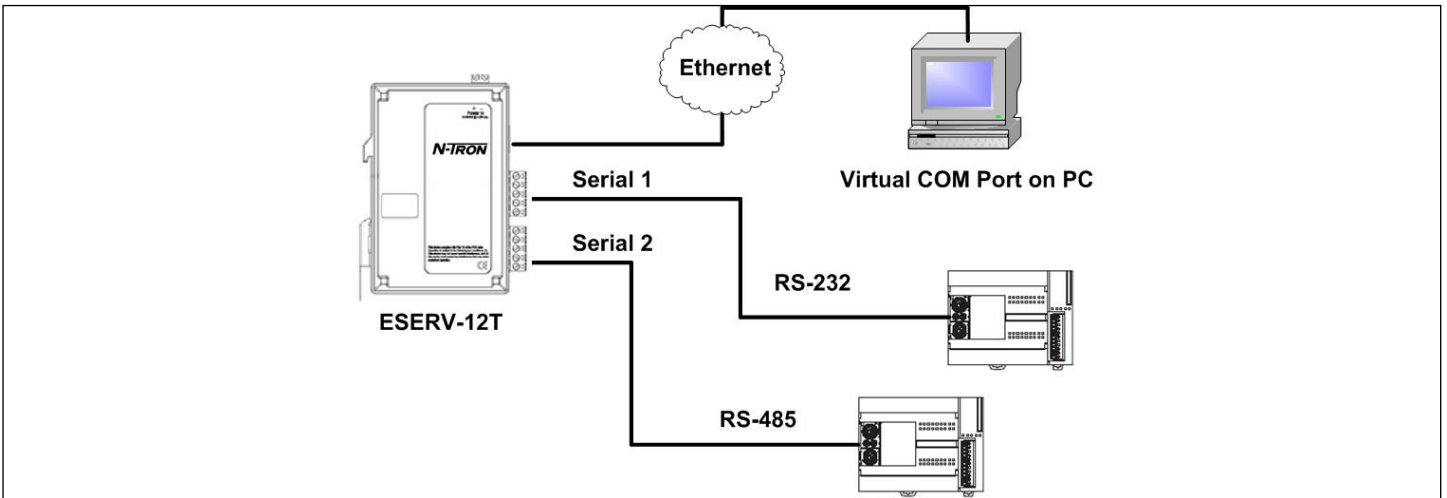
### Mechanical

LED Indicators	Serial Port, Ethernet Link, Ready
Switches	Reset Button
Dimensions	1.2 x 3.2 x 4.7 in (3.0 x 8.1 x 11.9 cm)
Enclosure	IP 30 Plastic, 35 mm DIN Mount
Weight	0.33 lbs (149.7 g)
MTBF	132309 hours
MTBF Calc. Method	Parts Count Reliability Prediction

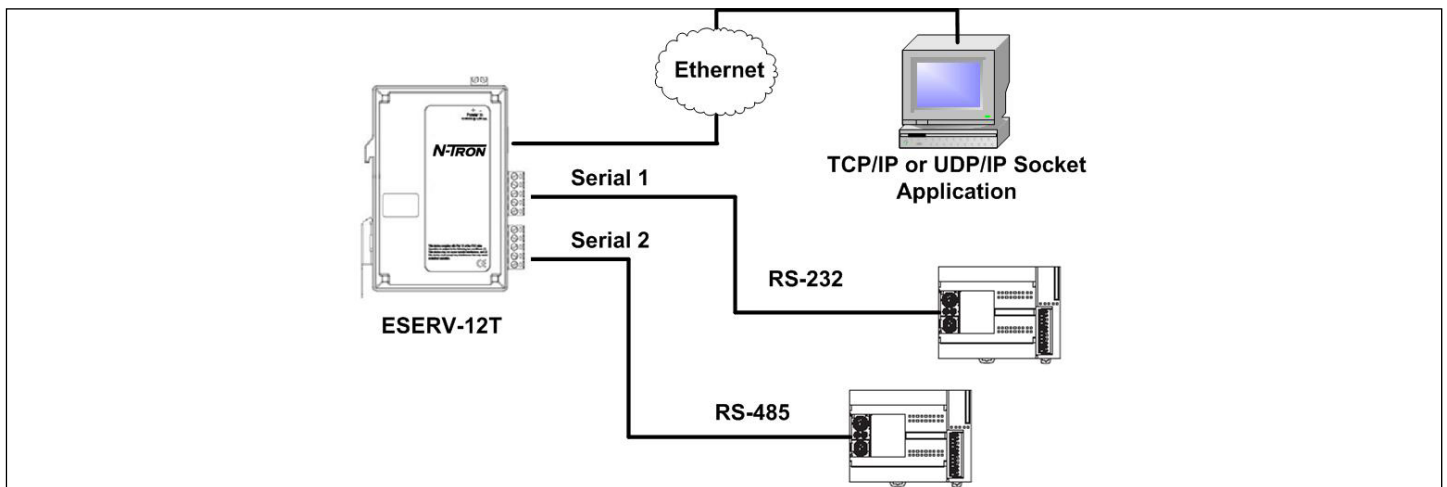
### Environmental

Operating Temperature	- 34 to 80°C (-29 to 176°F)
Storage Temp	- 40 to 85°C (-40 to 185°F)
Operating Humidity	0 to 95% Non-condensing

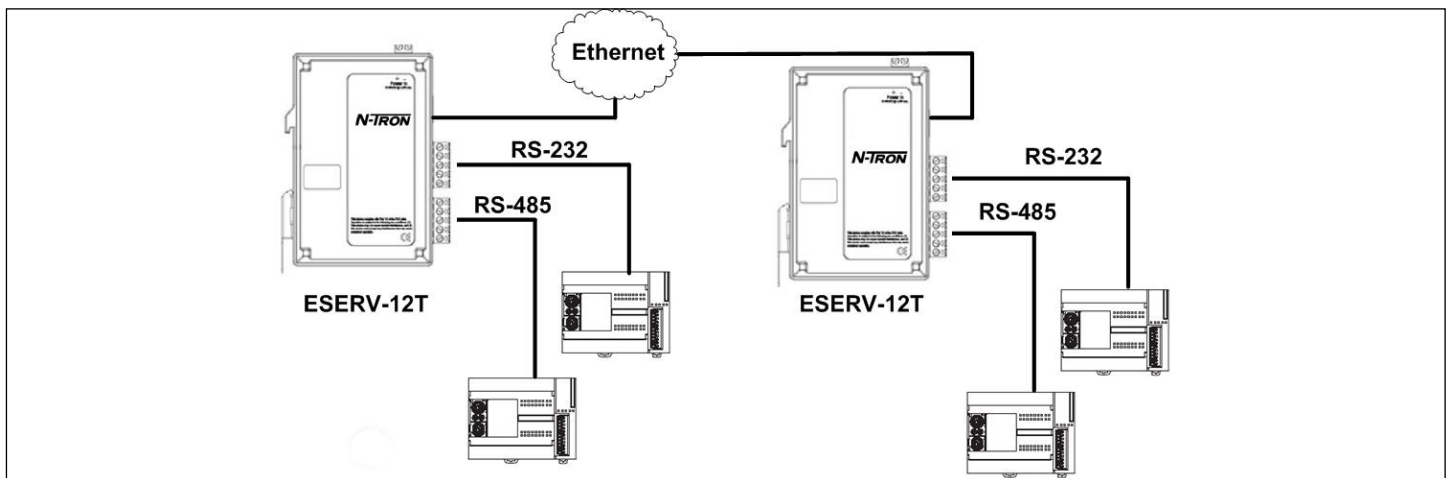
**Regulatory Approvals** FCC, CE, UL 508



Virtual COM Mode - Allows a PC to communicate with serial devices through your network as if they were connected to a physical COM port on the PC.

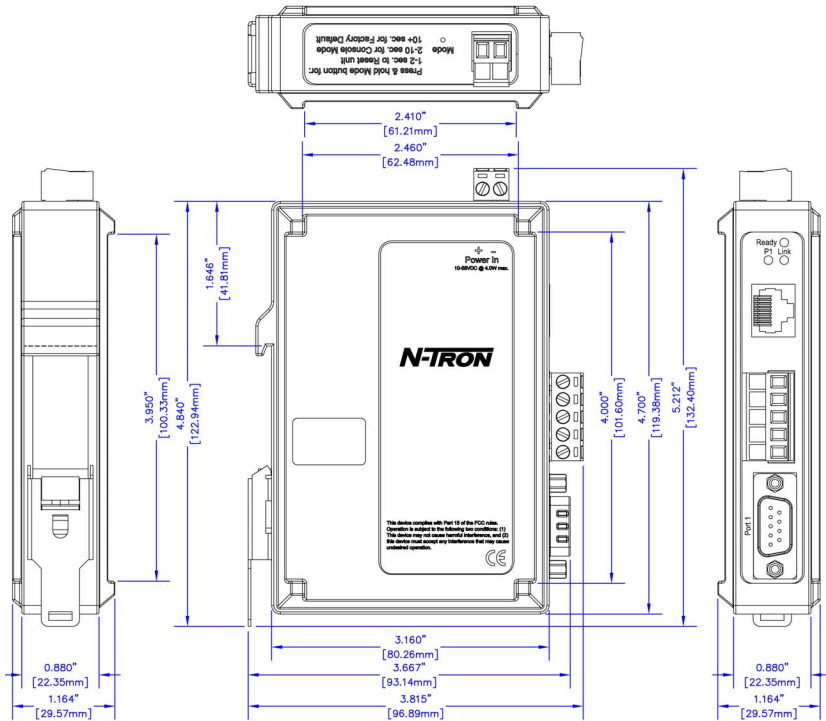


Direct IP Mode - Allows TCP/IP or UDP/IP socket applications to communicate directly with serial devices



Paired Mode - Allows serial devices to communicate with each other by tunneling through your network.

## ESERV-11T



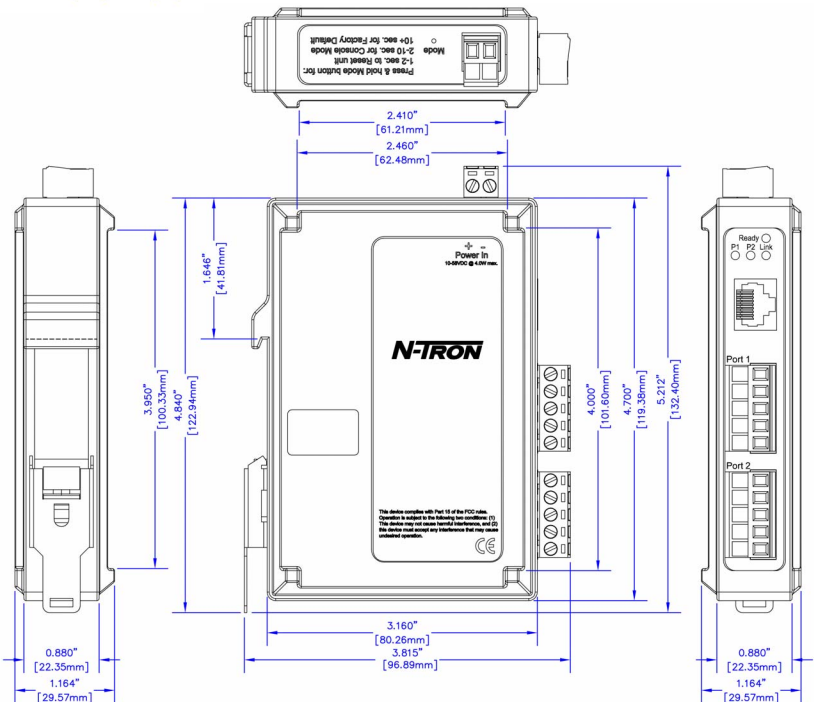
### Ordering Information

- ESERV-11T** Ethernet to Serial Server with (1) Serial port (DB9 or TB connector); (1) Ethernet port (RJ-45)
- ESERV-11T-ST** Ethernet to Serial Server with (1) Serial port (DB9 or TB connector); (1) Ethernet Multimode Fiber port (ST style connector)
- NTPS-24-1.3** N-TRON Power Supply 1.2 Amp @ 24VDC

## ESERV-12T

### Ordering Information

- ESERV-12T** Ethernet to Serial Server with (2) Serial ports (TB connectors); (1) Ethernet port (RJ-45)
- ESERV-12T-ST** Ethernet to Serial Server with (2) Serial ports (TB connectors); (1) Ethernet Multimode Fiber port (ST style connector)
- NTPS-24-1.3** N-TRON Power Supply 1.2 Amp @ 24VDC



### Contact Information

**N-TRON Corp.**  
 820 S. University Blvd., Suite 4E  
 Mobile, AL 36609 USA  
 TEL: (251) 342-2164  
 FAX: (251) 342-6353  
 Website: [www.n-tron.com](http://www.n-tron.com)  
 Email: [N-TRON\\_info@n-tron.com](mailto:N-TRON_info@n-tron.com)

**N-TRON Asia**  
 Suite #: 2267, 22/F, One Lujiazui  
 68 Yin Cheng Road Center,  
 Pudong New Area  
 200120 Shanghai, P.R. China  
 TEL: +86 (0) 21 6194 6777  
 FAX: +86 (0) 21 6194 6699

**N-TRON Europe GmbH**  
 Alte Steinhauserstr 19  
 6330 Cham / Zg Switzerland  
 TEL: +41 41 7406636  
 FAX: +41 41 7406637

REV 100817