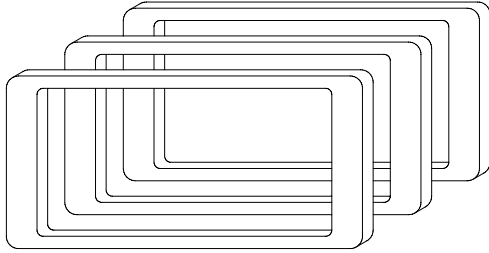


**INTERNATIONAL HEADQUARTERS**  
 20 Willow Springs Circle, York, Pa. 17402, (717) 767-6511 FAX: (717) 764-0839  
 Web site- <http://www.redlion-controls.com> E-mail- [sales@redlion-controls.com](mailto:sales@redlion-controls.com)

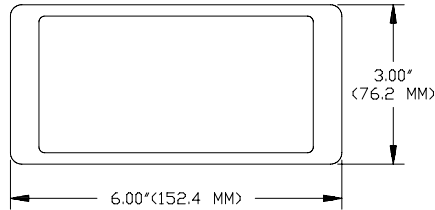
**EUROPEAN HEADQUARTERS**  
 892 Plymouth Road, Slough, Berkshire SL1 4LP  
 ENGLAND +44 1753 696888 FAX: +44 1753 696339

## GEMINI SERIES PANEL ADAPTER KIT FOR DIN PANEL CUT-OUTS

The Gemini Series panel adapter kit permits the mounting of the Gemini unit to an existing 68 mm x 138 mm DIN standard panel cut-out. The kit consists of two metal adapter plates coated with a durable flat black polyurethane finish, and a neoprene gasket, which provides a sealed front panel that meets NEMA 4/IP65 specifications when properly installed.

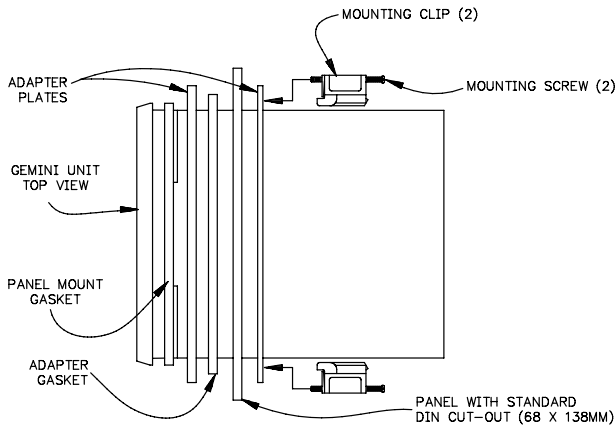


### DIMENSIONS "In inches (mm)"



*Note:*  
 An overall panel area of 3" x 6" is required for proper mounting.

### INSTALLATION



1. Remove the backing from the adhesive side of the adapter gasket (*included with adapter kit*) and carefully stick the gasket to the front of the existing panel cut-out.
2. Apply the standard panel mount gasket (*provided with the Gemini unit*) to one of the adapter plates and slide the plate over the Gemini unit. (*Gasket side must be facing the bezel.*)
3. Insert the Gemini unit into the panel cut-out from the front and slide the remaining adapter plate over the Gemini unit from the rear.
4. Install the two mounting clips (*provided with the Gemini unit*) as per the instructions in the Gemini manual. Install the screws into the mounting clips and tighten them evenly to apply uniform compression and to provide a water-tight seal.

**CAUTION:** Only minimum pressure is required to seal the panel. Do **NOT** overtighten the mounting screws.

### ORDERING INFORMATION

MODEL NO.	DESCRIPTION	PART NUMBER
PMKG1	3-PIECE KIT permits mounting to existing 2.67" x 5.43" (68 mm x 138 mm) Panel cut-out, O.A. DIM. 3" x 6" (76.2 mm x 152.4 mm)	PMKG1000