

Datasheet - SLC 440-E/R1210-14-01

Safety light curtains, Safety light grids / Safety light curtains / SLC 440



(Minor differences between the printed image and the original product may exist!)

- Safety type 4 in accordance with IEC 61496-1
- User-friendly parameter setting, no tools required
- Reliable safety concept in case of interferences (EMC, welding sparks)
- Process safety with highest availability
- Integrated set-up tool

Ordering details

| | |
|--------------------------|-----------------------|
| Product type description | SLC 440-E/R1210-14-01 |
| Article number | 101216628 |
| EAN code | 4030661409153 |

Approval

Approval



Classification

| | |
|------------------|----------------------------|
| Standards | EN ISO 13849-1, EN 62061 |
| PL | up e |
| Control category | up 4 |
| PFH value | 5.14 x 10 ⁻⁹ /h |
| SIL | up 3 |
| Mission time | 20 Years |

Global Properties

| | |
|--|----------------------------------|
| Product name | SLC 440 Sicherheits-Lichtvorhang |
| Standards | EN 61496-1; CLC/TS 61496-2 |
| Compliance with the Directives (Y/N)  | Yes |

| | |
|---|--------------------|
| Operating resource protection class | Protection class 3 |
| Safety type in accordance with IEC 61496-1 | 4 |
| Materials | |
| - Material of the housings | Aluminium |
| Weight | |
| Beam coding (Y/N) | Yes |
| Protection field height | 1210 mm |
| Range of the protection field | 300 - 7000 mm |
| Reaction time | 20 ms |
| Wave length of the sensors | 880 |
| Fade-out is possible (Y/N) | Yes |
| Override possible (Y/N) | No |
| reduced resolution (Y/N) | No |
| Clock control possible (Y/N) | No |
| Muting possible (Y/N) | No |
| Restart block (Y/N) | Yes |
| Master/slave function | No |
| Cascadable (Y/N) | No |
| Monitoring function of downstream devices (Y/N) | Yes |
| Recommended safety-monitoring module | SRB 301MC |

Mechanical data

| | |
|-----------------------------------|----------------------------|
| Detection ability for test bodies | 14 mm |
| Number of beams | 120 piece |
| Design of electrical connection | Connector |
| - Wiring of the transmitter | connector plug M12, 4-pole |
| - Wiring of the receiver | connector plug M12, 8-pole |
| Cable length | 100 m |

Ambient conditions

| | |
|--|----------------------|
| Ambient temperature | |
| - Min. environmental temperature | -10 °C |
| - Max. environmental temperature | +50 °C |
| Storage and transport temperature | |
| - Min. Storage and transport temperature | -25 °C |
| - Max. Storage and transport temperature | +70 °C |
| Protection class | IP67 to IEC/EN 60529 |

Electrical data

| | |
|---|------------|
| Design of output switching element OSSD | PNP |
| Power consumption | |
| - Power consumption Transmitter | 1.8 W |
| - Power consumption Receiver | 3.8 W |
| Voltage type | DC |
| Switching voltage of the OSSD in high state | 24 V ± 10% |
| Integrated contactor control (Y/N) | Yes |

Outputs

| | |
|---------------------------------------|--------|
| Max. output current at secured output | 250 mA |
|---------------------------------------|--------|

Electrical data - Safety outputs

| | |
|---|---------|
| Number of secure semi-conductor outputs | 2 piece |
| Number of secure outputs with contact | 0 piece |

LED switching conditions display

| | |
|--|-----|
| LED switching conditions display (Y/N) | Yes |
| - Status and diagnostics | Yes |
| - 7-segment display | |

ATEX

| | |
|---|------|
| Explosion protection categories for gases | None |
| Explosion protected category for dusts | None |

Dimensions

| | |
|--------------------------|---------|
| Dimensions of the sensor | |
| - Width of sensor | 27.8 mm |
| - Height of sensor | 1131 mm |
| - Length of sensor | 33 mm |

notice

In case of failure (interruption of the 0 V supply) the maximum leakage current is 1 mA.

Included in delivery

| | |
|-------------------------------------|--|
| Delivery scope of disposable system | Transmitter + receiver, Mounting angle |
|-------------------------------------|--|

Indication legend

A: total length (Protection field height + 81 mm)

Ordering code

SLC 440-E/R(1)-(2)-01

(1)

| | |
|------|---------------------------------|
| 0170 | Protection field height 170 mm |
| 0250 | Protection field height 250 mm |
| 0330 | Protection field height 330 mm |
| 0410 | Protection field height 410 mm |
| 0490 | Protection field height 490 mm |
| 0570 | Protection field height 570 mm |
| 0650 | Protection field height 650 mm |
| 0730 | Protection field height 730 mm |
| 0810 | Protection field height 810 mm |
| 0890 | Protection field height 890 mm |
| 0970 | Protection field height 970 mm |
| 1050 | Protection field height 1050 mm |
| 1130 | Protection field height 1130 mm |

| | |
|-------------|---|
| 1210 | Protection field height 1210 mm |
| 1290 | Protection field height 1290 mm <i>(Only for Resolution 30 mm, 50 mm)</i> |
| 1370 | Protection field height 1370 mm <i>(Only for Resolution 30 mm, 50 mm)</i> |
| 1450 | Protection field height 1450 mm <i>(Only for Resolution 30 mm, 50 mm)</i> |
| 1530 | Protection field height 1530 mm <i>(Only for Resolution 30 mm, 50 mm)</i> |
| 1610 | Protection field height 1610 mm <i>(Only for Resolution 30 mm, 50 mm)</i> |
| 1690 | Protection field height 1690 mm <i>(Only for Resolution 30 mm, 50 mm)</i> |
| 1770 | Protection field height 1770 mm <i>(Only for Resolution 30 mm, 50 mm)</i> |
| (2) | |
| 14 | Resolution 14 mm, Range 0,3 m ... 7 m |
| 30 | Resolution 30 mm, Range 0,3 m ... 10 m |

Documents

Operating instructions and Declaration of conformity (es) 582 kB, 14.08.2012

Code: mrl_slc440_es

Operating instructions and Declaration of conformity (it) 580 kB, 23.07.2012

Code: mrl_slc440_it

Operating instructions and Declaration of conformity (pt) 582 kB, 26.09.2012

Code: mrl_slc440_pt

Operating instructions and Declaration of conformity (jp) 712 kB, 24.07.2012

Code: mrl_slc440_jp

Operating instructions and Declaration of conformity (de) 891 kB, 14.05.2012

Code: mrl_slc440_de

Operating instructions and Declaration of conformity (en) 1 MB, 14.05.2012

Code: mrl_slc440_en

Operating instructions and Declaration of conformity (da) 584 kB, 09.08.2012

Code: mrl_slc440_da

BG-test certificate (de, en) 24 kB, 07.11.2011

Code: z_slcp03

Brochure (en) 1 MB, 27.03.2012

Code: b_slcp06_en

Brochure (de) 1 MB, 14.11.2011

Code: b_slcp06_de

Brochure (fr) 783 kB, 20.03.2012

Code: b_slcp06_fr

Brochure (es) 1 MB, 01.02.2012

Code: b_slcp06_es

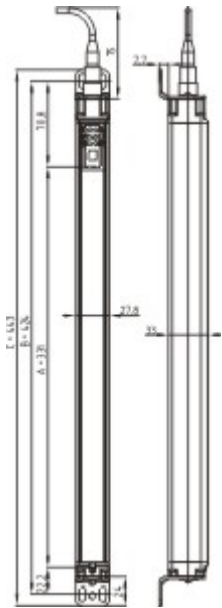
Brochure (pt) 808 kB, 02.04.2012

Code: b_slcp06_pt

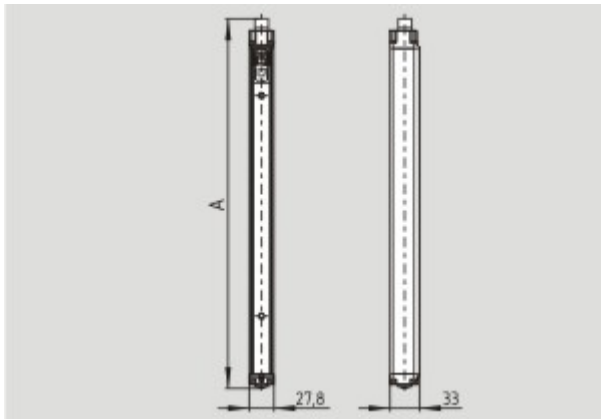
Brochure (pl) 803 kB, 12.03.2012

Code: b_slcp06_pl

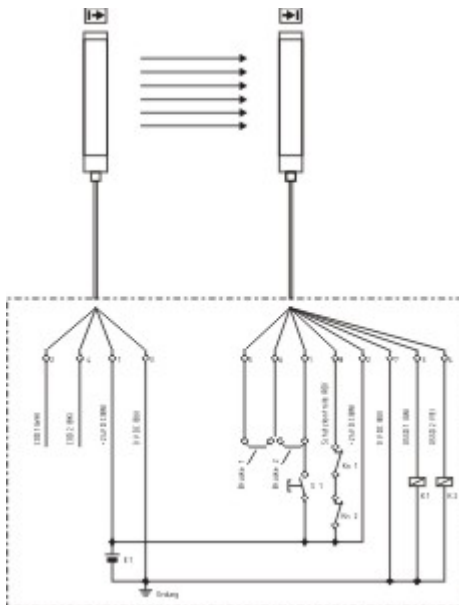
Images



Dimensional drawing (basic component)



Dimensional drawing (basic component)



System components

Safety control modules



SRB 301MC

- Fit for signal evaluation of outputs of safety magnetic switches
 - 3 safety contacts, STOP 0
 - 1 Signalling output
 - Suitable for signal processing of potential-free outputs, e.g. emergency stop command devices, position switches and solenoid interlocks
-

Connector



A-K8M12

- Pre-wired cable
 - 8-pole
-



A-K4M12

- Pre-wired cable
 - 4-pole
-

K.A. Schmersal GmbH, Möddinghofe 30, D-42279 Wuppertal

The data and values have been checked thoroughly. Technical modifications and errors excepted.

Generiert am 16.10.2012 - 15:57:10h Kasbase 2.2.2 DBII

