

Datasheet - AZ/AZM 415-B4PS

Safety switch with separate actuator / AZ 415 / Actuator



Preferred typ



(Minor differences between the printed image and the original product may exist!)

- For sliding doors
- with locking bolt and ball latch

Ordering details

Product type description	AZ/AZM 415-B4PS
Article number	101142540
EAN code	4030661282992
eCl@ss	27-27-92-16

Global Properties

Product name	Gerader Betätiger AZ/AZM 415-B4PS
Materials	
- Material of the actuator	Metal film
Weight	605 g

Mechanical data

Design of actuators	straight
Shearing force	12500

Dimensions

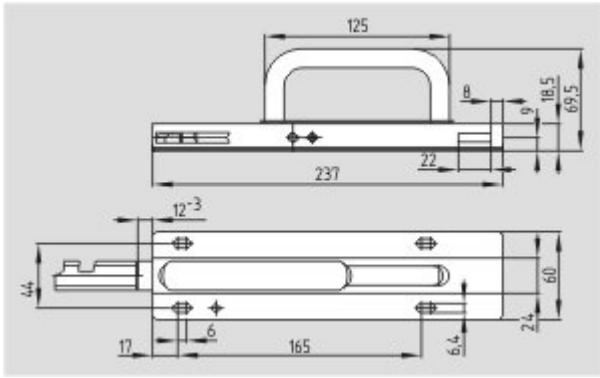
Dimensions of the actuators	
- Width of the actuator	60 mm
- Height of the actuator	69.5 mm
- Length of the actuator	237 mm

Documents

Mounting and wiring instructions (de, en, fr) 65 kB, 04.02.2009

Code: m_sz4p01

Images



Dimensional drawing (miscellaneous)

K.A. Schmersal GmbH & Co. KG, Möddinghofe 30, D-42279 Wuppertal

The data and values have been checked thoroughly. Technical modifications and errors excepted.

Generiert am 28.07.2015 - 21:42:45h Kasbase 3.1.12.F.64I