

## Datasheet - AZ 16-12ZI-B1


Safety switch with separate actuator / AZ 16ZI / AZ 16ZI-B1



Preferred typ



(Minor differences between the printed image and the original product may exist!)

- Thermoplastic enclosure
- Individual coding
- 52 mm x 90 mm x 30 mm
- Long life
- Double-insulated 
- Large wiring compartment
- High level of contact reliability with low voltages and currents
- Not sensitive to dirty conditions by virtue of patented roller system
- Slotted holes for adjustment, circular holes for location
- 3 cable entries M 16 x 1.5

### Ordering details

Product type description	AZ 16-12ZI-B1
Article number	101150050
EAN code	4030661136202
eCl@ss	27-27-26-02

### Approval

Approval



### Classification

Standards	EN ISO 13849-1
B10d Opener (NC)	2.000.000
B10d Normally open contact (NO)	1.000.000
- notice	at 10% I <sub>e</sub> and ohmic load
Mission time	20 Years
notice	$MTTF_d = \frac{B_{10d}}{0,1 \times n_{op}}$ $n_{op} = \frac{d_{op} \times h_{op} \times 3600 \text{ s/h}}{t_{cycle}}$

## Global Properties

---

Product name	AZ 16ZI
Standards	EN 60947-5-1, BG-GS-ET-15
Materials	
- Material of the housings	Plastic, glass-fibre reinforced thermoplastic, self-extinguishing
- Material of the actuator	Stainless steel
- Material of the contacts	Silver
Housing coating	None
Weight	156 g

## Mechanical data

---

Design of electrical connection	Screw connection
Cable section	
- Min. Cable section	0,75 mm <sup>2</sup>
- Max. Cable section	2.5 mm <sup>2</sup>
Design of actuators	straight, rigid
Mechanical life	> 1.000.000 operations
notice	All indications about the cable section are including the conductor ferrules.
With ejection force (Y/N)	Yes
Positive break force	20 N
positive break travel	8 mm
Actuating speed	max. 2 m/s
Minimum actuating radius	250 mm

## Ambient conditions

---

Ambient temperature	
- Min. environmental temperature	-30 °C
- Max. environmental temperature	+80 °C
Protection class	IP67 to IEC/EN 60529

## Electrical data

---

Design of control element	Normally open contact (NO), Opener (NC)
Switching principle	Creep circuit element
Number of auxiliary contacts	1 piece
Number of safety contacts	2 piece
Rated impulse withstand voltage $U_{imp}$	6 kV
Rated insulation voltage $U_i$	500 V
Thermal test current $I_{the}$	10 A
Utilisation category	AC-15: 230 V / 4 A, DC-13: 24 V / 4 A
Max. fuse rating	6 A gG D-fuse

## ATEX

---

Explosion protection categories for gases	None
Explosion protected category for dusts	None

## Dimensions

---

Dimensions of the sensor

- Width of sensor	52 mm
- Height of sensor	90 mm
- Length of sensor	30 mm

## notice

Minimum actuating radius on hinged guards 250 mm

The axis of the hinge should be 5 mm above the top edge of the safety switch and in the same plane

The actuator is not available separately.

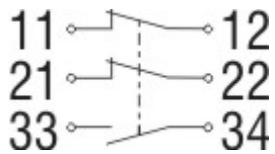
## Included in delivery

Individually coded actuator

tamperproof screws

Slot sealing plugs

## Diagram



Note Diagram

positive break NC contact

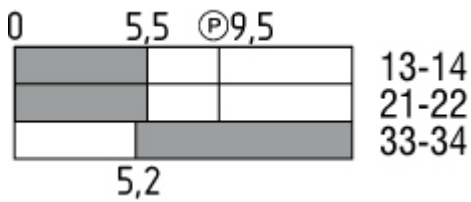
active

no active

Normally-open contact

Normally-closed contact

## Switch travel diagram



Notes Switch travel diagram

Contact closed

Contact open

Setting range

Break point

Positive opening sequence/- angle

**VS** adjustable range of NO contact

**VÖ** adjustable range of NC contact

**N** after travel

## Ordering suffix

The applicable ordering suffix is added at the end of the part number of the safety switch.

Order example: AZ 16-12ZI-B1-1762



....-1762

Versions with M5 nuts  
For front mounting of safety switch, e.g. on sheet-steel covers  
Cannot be retrofitted

....-1637

0,3 µm gold-plated contacts

....-M20

cable entries M20

## Ordering code

---

AZ 16-(1)ZI-(2)-(3)

<b>(1)</b>	
<b>3.0</b>	3 Opener (NC)
<b>12</b>	1 Normally open contact (NO) / 2 Opener (NC)
<b>(2)</b>	<b>Actuator:</b>
<b>B1</b>	straight Design
<b>B1-1747</b>	straight Design with magnetic latch
<b>B1-2024</b>	straight Design with slot sealing plug
<b>B1-2053</b>	straight Design with ball latch
<b>B1-2177</b>	straight Design with centering guide
<b>(3)</b>	
<b>M16</b>	Cable entry M16
<b>M20</b>	Cable entry M20

## Documents

---

**Operating instructions and Declaration of conformity (jp)** 593 kB, 01.09.2014

Code: mrl\_az16zi\_jp

**Operating instructions and Declaration of conformity (nl)** 345 kB, 30.09.2014

Code: mrl\_az16zi\_nl

**Operating instructions and Declaration of conformity (it)** 344 kB, 01.09.2014

Code: mrl\_az16zi\_it

**Operating instructions and Declaration of conformity (pt)** 350 kB, 17.06.2014

Code: mrl\_az16zi\_pt

**Operating instructions and Declaration of conformity (da)** 361 kB, 25.01.2012

Code: mrl\_az16zi\_da

**Operating instructions and Declaration of conformity (en)** 528 kB, 27.01.2011

Code: mrl\_az16zi\_en

**Operating instructions and Declaration of conformity** (de) 577 kB, 24.02.2011

Code: mrl\_az16zi\_de

**Operating instructions and Declaration of conformity** (ro) 362 kB, 25.01.2012

Code: mrl\_az16zi\_ro

**Operating instructions and Declaration of conformity** (fr) 347 kB, 30.09.2014

Code: mrl\_az16zi\_fr

**Operating instructions and Declaration of conformity** (es) 349 kB, 11.08.2014

Code: mrl\_az16zi\_es

**Operating instructions and Declaration of conformity** (sv) 343 kB, 17.06.2015

Code: mrl\_az16zi\_sv

**Operating instructions and Declaration of conformity** (pl) 414 kB, 11.08.2014

Code: mrl\_az16zi\_pl

**BG-test certificate** (en) 536 kB, 05.01.2011

Code: z\_\_16p02

**BG-test certificate** (de) 544 kB, 05.01.2011

Code: z\_\_16p01

**CCC certification** (cn) 408 kB, 24.06.2014

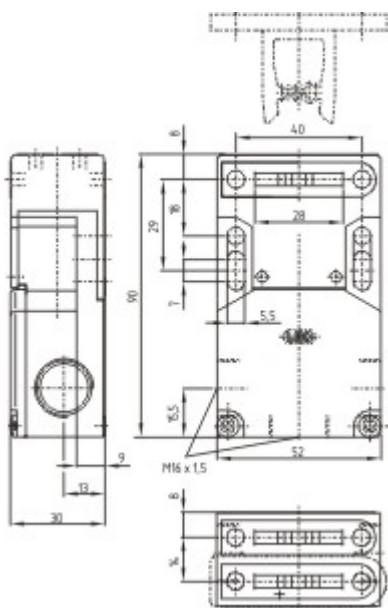
Code: q\_175p03

**CCC certification** (en) 396 kB, 24.06.2014

Code: q\_175p02

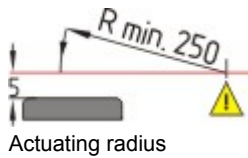
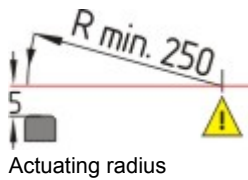
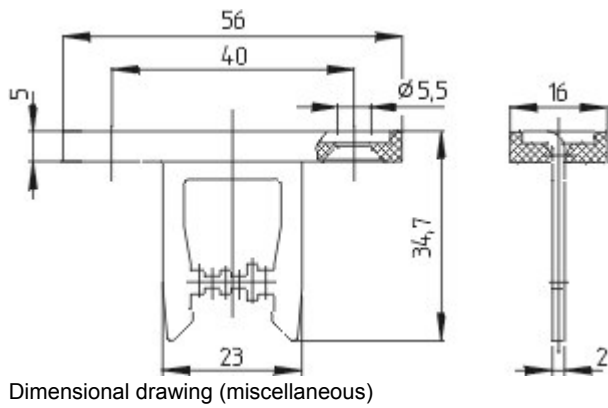
## Images

---



Dimensional drawing (basic component)

---



## System components

### Mounting accessories



#### 1135338 - TAMPERPROOF SCREWS M 5 x 12

- To mount the actuator
- Higher protection against tampering with interlock
- Protects against unauthorised removal of actuator
- Various lengths available



#### 101135339 - TAMPERPROOF SCREWS M 5 x 16

- To mount the actuator
- Higher protection against tampering with interlock
- Protects against unauthorised removal of actuator
- Various lengths available



#### 101135340 - TAMPERPROOF SCREWS M 5 x 20

- To mount the actuator
- Higher protection against tampering with interlock
- Protects against unauthorised removal of actuator
- Various lengths available