

## Datasheet - AZ 16-03ZI-B1-2053 WITH BALL LATCH



Safety switch with separate actuator / AZ 16ZI / AZ 16ZI-B1 - 2053 WITH BALL LATCH

Preferred typ



(Minor differences between the printed image and the original product may exist!)

- Thermoplastic enclosure
- Individual coding
- 52 mm x 90 mm x 30 mm
- Long life
- Double-insulated
- Large wiring compartment
- High level of contact reliability with low voltages and currents
- Not sensitive to dirty conditions by virtue of patented roller system
- Slotted holes for adjustment, circular holes for location
- For interlocking of light to medium-weight guards
- 3 cable entries M 16 x 1.5

### Ordering details

Product type description	AZ 16-03ZI-B1-2053 MIT KUGELRASTUNG
Article number	101150058
EAN code	4030661154527
eCl@ss	27-27-26-02

### Approval

Approval



### Classification

Standards	EN ISO 13849-1
B10d Opener (NC)	2.000.000
Mission time	20 Years
notice	$MTTF_d = \frac{B_{10d}}{0,1 \times n_{op}}$ $n_{op} = \frac{d_{op} \times h_{op} \times 3600 \text{ s/h}}{t_{cycle}}$

### Global Properties

---

Product name	AZ 16ZI
Standards	EN 60947-5-1, BG-GS-ET-15
Materials	
- Material of the housings	Plastic, glass-fibre reinforced thermoplastic, self-extinguishing
- Material of the contacts	Silver
Housing coating	None
Weight	174 g

## Mechanical data

---

Design of electrical connection	Screw connection
Cable section	
- Min. Cable section	0,75 mm <sup>2</sup>
- Max. Cable section	2.5 mm <sup>2</sup>
Design of actuators	straight, rigid
Mechanical life	> 1.000.000 operations
notice	All indications about the cable section are including the conductor ferrules.
With ejection force (Y/N)	Yes
Latching force adjustable up to	100 N
Positive break force	30 N
positive break travel	8 mm
Actuating speed	max. 2 m/s
Minimum actuating radius	250 mm

## Ambient conditions

---

Ambient temperature	
- Min. environmental temperature	-30 °C
- Max. environmental temperature	+80 °C
Protection class	IP67 to IEC/EN 60529

## Electrical data

---

Design of control element	Opener (NC)
Switching principle	Creep circuit element
Number of auxiliary contacts	0 piece
Number of safety contacts	3 piece
Rated impulse withstand voltage U <sub>imp</sub>	6 kV
Rated insulation voltage U <sub>i</sub>	500 V
Thermal test current I <sub>the</sub>	10 A
Utilisation category	AC-15: 230 V / 4 A, DC-13: 24 V / 4 A
Max. fuse rating	6 A gG D-fuse

## ATEX

---

Explosion protection categories for gases	None
Explosion protected category for dusts	None

## Dimensions

---

Dimensions of the sensor	
- Width of sensor	52 mm

- Height of sensor	90 mm
- Length of sensor	30 mm

**notice**

Minimum actuating radius on hinged guards 250 mm

The axis of the hinge should be 5 mm above the top edge of the safety switch and in the same plane

The actuator is not available separately.

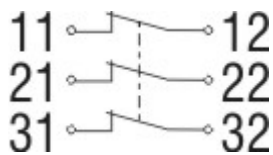
**Included in delivery**

Individually coded actuator

tamperproof screws

Slot sealing plugs

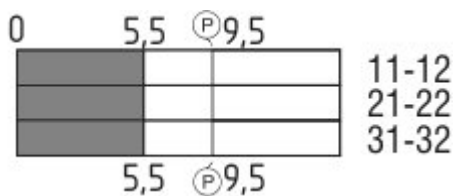
**Diagram**



Note Diagram

- positive break NC contact
- active
- no active
- Normally-open contact
- Normally-closed contact

**Switch travel diagram**

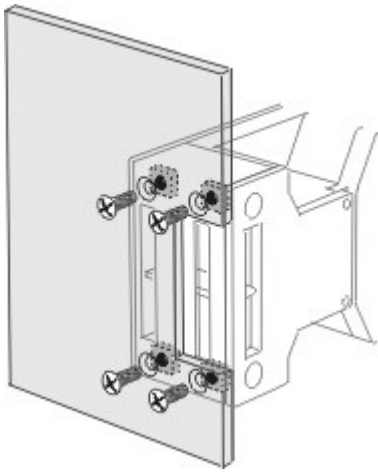


Notes Switch travel diagram

- Contact closed
- Contact open
- Setting range
- Break point
- Positive opening sequence/- angle
- VS** adjustable range of NO contact
- VÖ** adjustable range of NC contact
- N** after travel

**Ordering suffix**

The applicable ordering suffix is added at the end of the part number of the safety switch.  
 Order example: AZ 16-03ZI-B1-2053 WITH BALL LATCH-1762



....-1762

Versions with M5 nuts  
For front mounting of safety switch, e.g. on sheet-steel covers  
Cannot be retrofitted

....-1637

0,3 µm gold-plated contacts

....-M20

cable entries M20

## Ordering code

---

AZ 16-(1)ZI-(2)-(3)

<b>(1)</b>	
<b>3.0</b>	3 Opener (NC)
<b>12</b>	1 Normally open contact (NO) / 2 Opener (NC)
<b>(2)</b>	<b>Actuator:</b>
<b>B1</b>	straight Design
<b>B1-1747</b>	straight Design with magnetic latch
<b>B1-2024</b>	straight Design with slot sealing plug
<b>B1-2053</b>	straight Design with ball latch
<b>B1-2177</b>	straight Design with centering guide
<b>(3)</b>	
<b>M16</b>	Cable entry M16
<b>M20</b>	Cable entry M20

## Documents

---

**Operating instructions and Declaration of conformity (jp)** 593 kB, 01.09.2014

Code: mrl\_az16zi\_jp

**Operating instructions and Declaration of conformity (nl)** 345 kB, 30.09.2014

Code: mrl\_az16zi\_nl

**Operating instructions and Declaration of conformity (it)** 344 kB, 01.09.2014

Code: mrl\_az16zi\_it

**Operating instructions and Declaration of conformity (pt)** 350 kB, 17.06.2014

Code: mrl\_az16zi\_pt

**Operating instructions and Declaration of conformity (da)** 361 kB, 25.01.2012

Code: mrl\_az16zi\_da

**Operating instructions and Declaration of conformity (en)** 528 kB, 27.01.2011

Code: mrl\_az16zi\_en

**Operating instructions and Declaration of conformity (de)** 577 kB, 24.02.2011

Code: mrl\_az16zi\_de

**Operating instructions and Declaration of conformity (ro)** 362 kB, 25.01.2012

Code: mrl\_az16zi\_ro

**Operating instructions and Declaration of conformity (fr)** 347 kB, 30.09.2014

Code: mrl\_az16zi\_fr

**Operating instructions and Declaration of conformity (es)** 349 kB, 11.08.2014

Code: mrl\_az16zi\_es

**Operating instructions and Declaration of conformity (sv)** 343 kB, 17.06.2015

Code: mrl\_az16zi\_sv

**Operating instructions and Declaration of conformity (pl)** 414 kB, 11.08.2014

Code: mrl\_az16zi\_pl

**BG-test certificate (en)** 536 kB, 05.01.2011

Code: z\_\_16p02

**BG-test certificate (de)** 544 kB, 05.01.2011

Code: z\_\_16p01

**CCC certification (cn)** 408 kB, 24.06.2014

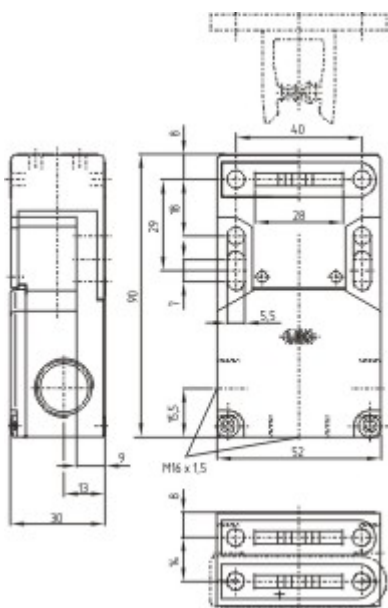
Code: q\_175p03

**CCC certification (en)** 396 kB, 24.06.2014

Code: q\_175p02

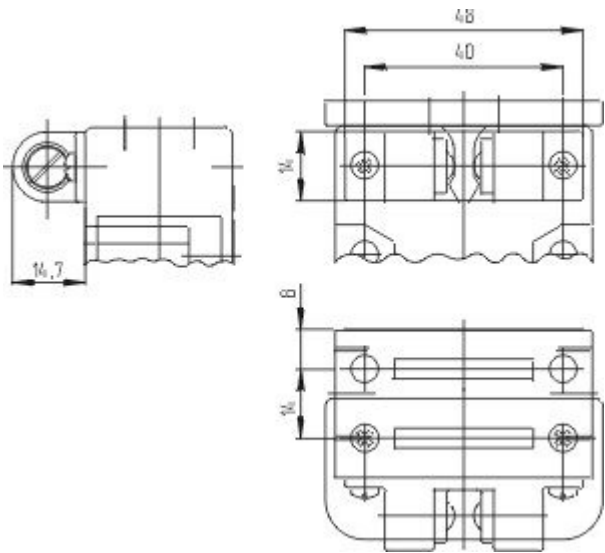
## Images

---

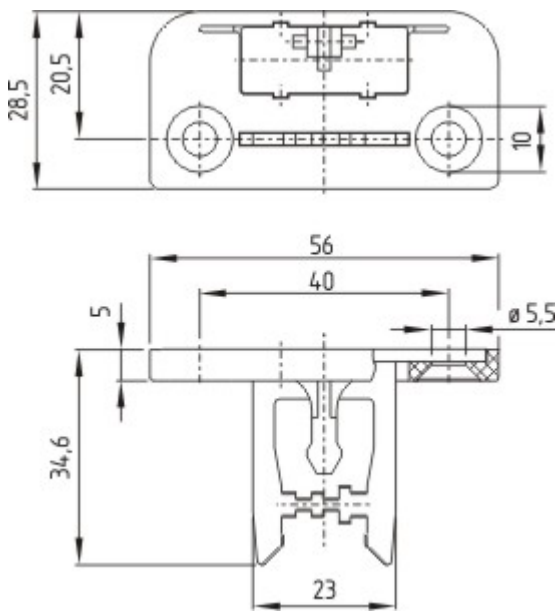


Dimensional drawing (basic component)

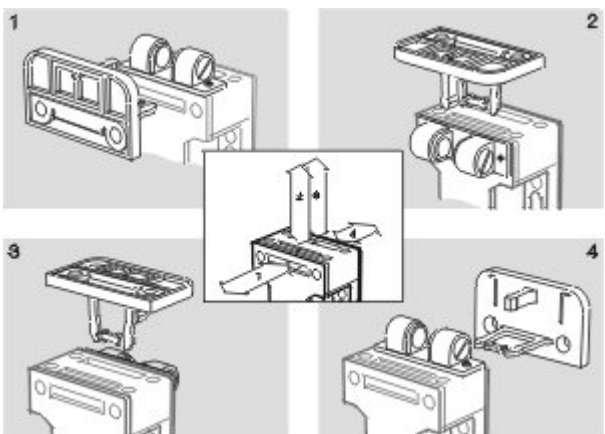
---



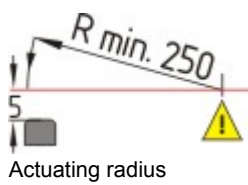
Dimensional drawing (miscellaneous)



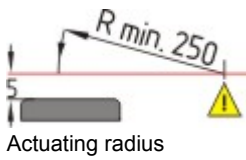
Dimensional drawing (miscellaneous)



Operating principle



Actuating radius



---

## System components

---

### Mounting accessories



#### **1135338 - TAMPERPROOF SCREWS M 5 x 12**

- To mount the actuator
- Higher protection against tampering with interlock
- Protects against unauthorised removal of actuator
- Various lengths available



#### **101135339 - TAMPERPROOF SCREWS M 5 x 16**

- To mount the actuator
- Higher protection against tampering with interlock
- Protects against unauthorised removal of actuator
- Various lengths available



#### **101135340 - TAMPERPROOF SCREWS M 5 x 20**

- To mount the actuator
- Higher protection against tampering with interlock
- Protects against unauthorised removal of actuator
- Various lengths available

---

K.A. Schmersal GmbH & Co. KG, Möddinghofe 30, D-42279 Wuppertal

The data and values have been checked thoroughly. Technical modifications and errors excepted.

Generiert am 23.07.2015 - 01:07:47h Kasbase 3.1.12.F.64l