

Datasheet - AZ 17-02ZI-B5

Safety switch with separate actuator / AZ 17ZI / AZ 17/170ZI-B5



Preferred typ



- Thermoplastic enclosure
- Double-insulated
- Long life
- 30 mm x 60 mm x 30 mm
- Small body
- Individual coding
- High level of contact reliability with low voltages and currents
- Not sensitive to dirty conditions by virtue of patented roller system
- 8 actuating planes
- Slot sealing plug included
- Particularly suitable for hinged guards (front mounting)
- cable gland M16

(Minor differences between the printed image and the original product may exist!)

Ordering details

| | |
|--------------------------|---------------|
| Product type description | AZ 17-02ZI-B5 |
| Article number | 101122854 |
| EAN code | 4030661049731 |
| eCl@ss | 27-27-26-02 |

Approval

Approval



Classification

| | |
|---|--|
| Standards | EN ISO 13849-1 |
| B _{10d} Normally-closed contact (NC) | 2.000.000 |
| Mission time | 20 Years |
| notice | $MTTF_d = \frac{B_{10d}}{0,1 \times n_{op}}$ $n_{op} = \frac{d_{op} \times h_{op} \times 3600 \text{ s/h}}{t_{cycle}}$ |

Global Properties

| | |
|----------------------------|---|
| Product name | AZ 17ZI |
| Standards | EN 60947-5-1, BG-GS-ET-15 |
| Materials | |
| - Material of the housings | Plastic, glass-fibre reinforced thermoplastic, self-extinguishing |
| - Material of the actuator | Stainless steel |
| - Material of the contacts | Silver |
| Housing coating | None |
| Weight | 100 g |

Mechanical data

| | |
|---------------------------------|------------------------------------|
| Design of electrical connection | IDC method of termination |
| Cable section | |
| - Min. Cable section | 1 x 0,75 mm ² |
| - Max. Cable section | 1 x 1.0 mm ² , flexible |
| Mechanical life | > 1.000.000 operations |
| higher Latching force (Y/N) | No |
| Latching force | 5 N |
| Positive break force | 17 N |
| positive break travel | 11 mm |
| Max. Actuating speed | 2 m/s |

Ambient conditions

| | |
|----------------------------------|----------------------|
| Ambient temperature | |
| - Min. environmental temperature | -30 °C |
| - Max. environmental temperature | +80 °C |
| Protection class | IP67 to IEC/EN 60529 |

Electrical data

| | |
|--|---|
| Design of control element | Opener (NC) |
| Switching principle | Creep circuit element |
| Number of auxiliary contacts | 0 piece |
| Number of safety contacts | 2 piece |
| Supply voltage | |
| - Min. supply voltage | |
| - Max. supply voltage | 230 V |
| Rated impulse withstand voltage U _{imp} | 4 kV |
| Rated insulation voltage U _i | 250 V |
| Thermal test current I _{the} | 10 A |
| Utilisation category | AC-15: 230 V / 4 A DC-13: 24 V / 4 A |
| Max. fuse rating | 6 A gG D-fuse |

ATEX

| | |
|---|------|
| Explosion protection categories for gases | None |
| Explosion protected category for dusts | None |

Dimensions

Dimensions of the sensor

| | |
|--------------------|-------|
| - Width of sensor | 30 mm |
| - Height of sensor | 85 mm |
| - Length of sensor | 30 mm |

notice

On hinged guards, minimum actuating radius at 90° to the plane of the actuator 140 mm

minimum actuating radius on hinged guards in line with the plane of the actuator 200 mm

The axis of the hinge should be 13 mm above the top edge of the safety switch and in the same plane

The actuator is not available separately.

This type termination (IDC) method enables simple connection of flexible conductors without the need for the use of conductor ferrules

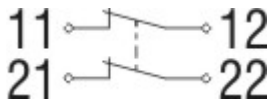
Included in delivery

Not available as spare part

Included in delivery

- Individually coded actuator
- tamperproof screws
- Slot sealing plugs

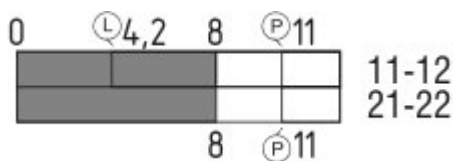
Diagram



Note Diagram

- positive break NC contact
- active
- no active
- Normally-open contact
- Normally-closed contact

Switch travel diagram



Notes Switch travel diagram

- Contact closed
- Contact open
- Setting range
- Break point
- Positive opening sequence/- angle
- VS** adjustable range of NO contact
- VÖ** adjustable range of NC contact
- N** after travel

Ordering suffix

The applicable ordering suffix is added at the end of the part number of the safety switch.

Order example: AZ 17-02ZI-B5-**2243**

| | |
|-------------|-----------------------------|
| ...-2243 | Cable output: front |
| ...-2243 -1 | Cable output: rear |
| ...-1637 | 0,3 µm gold-plated contacts |
| ...-5M | Cable length 5 Meter |
| ...-6M | Cable length 6 Meter |

Ordering code

AZ 17-(1)Z(2)I-(3)-(4)-(5)

| | |
|----------------|--|
| (1) | |
| 11 | 1 Normally open contact (NO) / 1 Opener (NC) |
| 02 | 2 Opener (NC) |
| (2) | |
| <i>without</i> | Latching force 5 N |
| R | Latching force 30 N |
| (3) | |
| <i>without</i> | cable gland M16 |
| ST | Connector M12 |
| (4) | |
| B1 | Actuator B1 |
| B5 | Actuator B5 |
| B6L | Actuator B6L |
| B6R | Actuator B6R |
| (5) | |
| 1637 | gold-plated contacts |

Documents

Operating instructions and Declaration of conformity (de) 316 kB, 05.02.2014

Code: mrl_az17-azm170-betaetiger_de

Operating instructions and Declaration of conformity (pl) 157 kB, 11.03.2014

Code: mrl_az17-azm170-betaetiger_pl

Operating instructions and Declaration of conformity (it) 117 kB, 10.02.2014

Code: mrl_az17-azm170-betaetiger_it

Operating instructions and Declaration of conformity (pt) 116 kB, 23.05.2014

Code: mrl_az17-azm170-betaetiger_pt

Operating instructions and Declaration of conformity (en) 116 kB, 24.02.2014

Code: mrl_az17-azm170-betaetiger_en

Operating instructions and Declaration of conformity (jp) 171 kB, 03.04.2014

Code: mrl_az17-azm170-betaetiger_jp

Operating instructions and Declaration of conformity (sv) 115 kB, 17.06.2015

Code: mrl_az17-azm170-betaetiger_sv

Operating instructions and Declaration of conformity (nl) 116 kB, 11.03.2014

Code: mrl_az17-azm170-betaetiger_nl

Operating instructions and Declaration of conformity (fr) 117 kB, 03.04.2014

Code: mrl_az17-azm170-betaetiger_fr

Operating instructions and Declaration of conformity (es) 117 kB, 12.02.2014

Code: mrl_az17-azm170-betaetiger_es

BG-test certificate (en) 578 kB, 15.08.2011

Code: z_z17p02

BG-test certificate (de) 589 kB, 15.08.2011

Code: z_z17p01

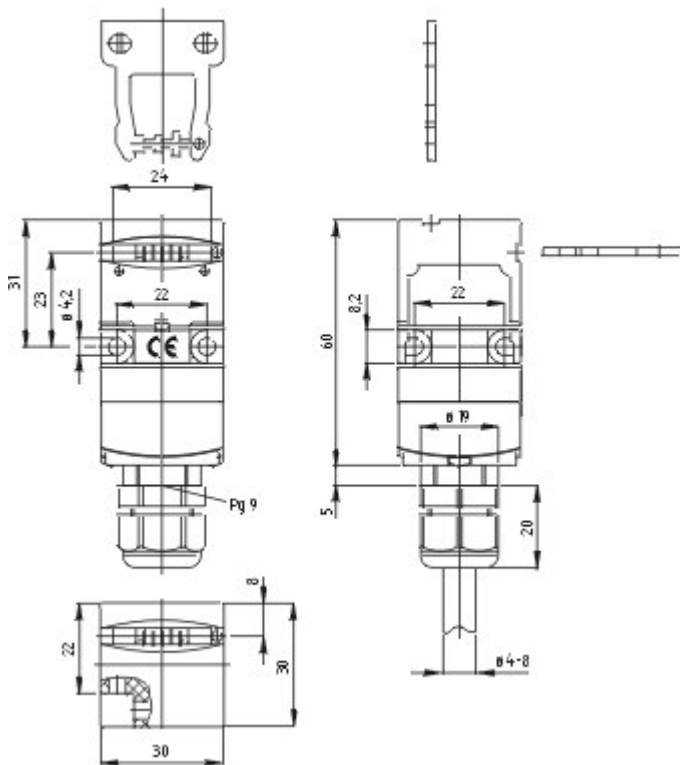
CCC certification (cn) 408 kB, 24.06.2014

Code: q_175p03

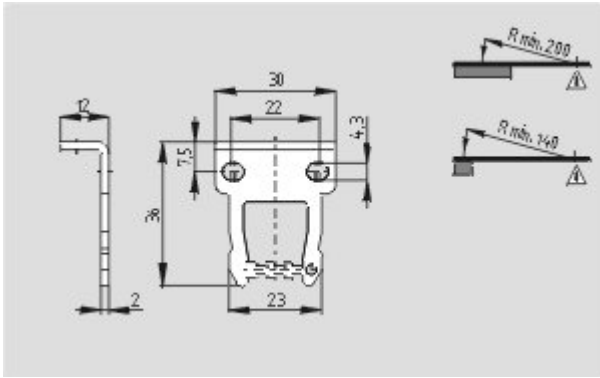
CCC certification (en) 396 kB, 24.06.2014

Code: q_175p02

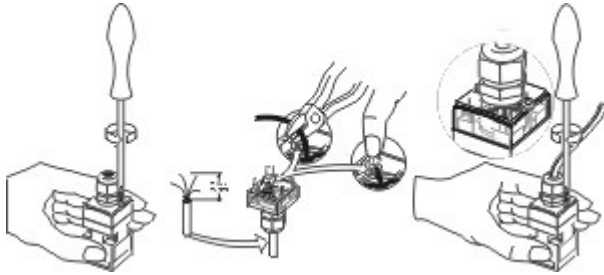
Images



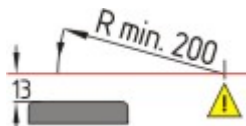
Dimensional drawing (basic component)



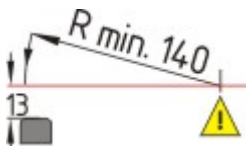
Dimensional drawing (actuator)



Configuration graphic



Actuating radius



Actuating radius

K.A. Schmersal GmbH & Co. KG, Mödinghofe 30, D-42279 Wuppertal

The data and values have been checked thoroughly. Technical modifications and errors excepted.

Generiert am 27.07.2015 - 23:31:50h Kasbase 3.1.12.F.64I