

Datasheet - AZ 3350-03ZK-U90

Safety switch with separate actuator / AZ 3350



- Metal enclosure
- Latching handle
- Long life
- 40,5 mm x 114 mm x 38 mm
- High level of contact reliability with low voltages and currents
- 1 Cable entry M 20 x 1.5
- Actuating head rotated by 90°

(Minor differences between the printed image and the original product may exist!)

Ordering details

| | |
|--|------------------|
| Product type description | AZ 3350-03ZK-U90 |
| Article number | 101177387 |
| EAN code | 4030661308241 |
| To order, first choose the desired safety switch and then the door handle system | |
| eCl@ss | 27-27-26-02 |

Approval

Approval



Classification

| | |
|------------------|--|
| Standards | EN ISO 13849-1 |
| B10d Opener (NC) | 2.000.000 |
| Mission time | 20 Years |
| notice | $MTTF_d = \frac{B_{10d}}{0,1 \times n_{op}}$ $n_{op} = \frac{d_{op} \times h_{op} \times 3600 \text{ s/h}}{t_{cycle}}$ |

Global Properties

| | |
|----------------------------|--|
| Product name | AZ 3350 |
| Standards | EN 60947-5-1, BG-GS-ET-15, EN 1088 |
| Materials | |
| - Material of the housings | Aluminium |
| - Material of the contacts | Silver |
| Housing coating | painted |
| Weight | 230 g |
| Recommended combinations | AZ 3350-STS30-02, AZ 3350-STS30-04, AZ 3350-STS30-05, AZ 3350-STS30-07 |

Mechanical data

| | |
|---------------------------------|---|
| Design of electrical connection | Screw connection |
| Cable section | |
| - Min. Cable section | 0,75 mm ² |
| - Max. Cable section | 2.5 mm ² |
| Mechanical life | 1.000.000 operations |
| notice | All indications about the cable section are including the conductor ferrules. |
| higher Latching force (Y/N) | No |
| Shearing force | 15.000 N |
| Positive break force | 5 N for each NC contact fitted |
| positive break travel | 10.7 mm |
| Door hinge | left |

Ambient conditions

| | |
|----------------------------------|----------------------|
| Ambient temperature | |
| - Min. environmental temperature | -30 °C |
| - Max. environmental temperature | +90 °C |
| Protection class | IP67 to IEC/EN 60529 |

Electrical data

| | |
|---|--|
| Design of control element | Opener (NC) |
| Switching principle | Creep circuit element |
| Number of auxiliary contacts | 0 piece |
| Number of safety contacts | 3 piece |
| Rated impulse withstand voltage U_{imp} | 4 kV |
| Rated insulation voltage U_i | 250 V |
| Thermal test current I_{the} | 10 A |
| Utilisation category | AC-15: 230 V / 4 A, DC-13: 24 V / 4 A |
| Max. fuse rating | 6 A gG D-fuse |

ATEX

| | |
|---|------|
| Explosion protection categories for gases | None |
| Explosion protected category for dusts | None |

Dimensions

| | |
|--------------------------|---------|
| Dimensions of the sensor | |
| - Width of sensor | 40.5 mm |
| - Height of sensor | 114 mm |

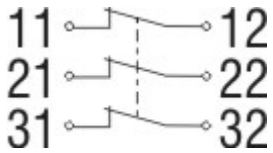
- Length of sensor

38 mm




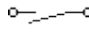
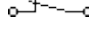
Included in delivery

Mounting plate for safety switch
Actuator incl. mounting plate
emergency handle

Diagram



Note Diagram

-  positive break NC contact
-  active
-  no active
-  Normally-open contact
-  Normally-closed contact

Ordering suffix

The applicable ordering suffix is added at the end of the part number of the safety switch.

Order example: AZ 3350-03ZK-U90-**1637**

....-**1637** 0,3 µm gold-plated contacts

Ordering code

AZ 3350-(1)-(2)-(3)

(1)

03ZK

3 Opener (NC)

12ZUEK

1 Normally open contact (NO) / 2 Opener (NC)

(2)

1637

gold-plated contacts

(3)

U90

Actuating head rotated by 90° for Door hinge left

U270

Actuating head rotated by 270° for Door hinge right

Documents

Operating instructions and Declaration of conformity (cs) 398 kB, 12.09.2014

Code: mrl_az3350_cs

Operating instructions and Declaration of conformity (pl) 393 kB, 04.03.2015

Code: mrl_az3350_pl

Operating instructions and Declaration of conformity (it) 770 kB, 22.09.2011

Code: mrl_az3350_it

Operating instructions and Declaration of conformity (nl) 558 kB, 18.08.2011

Code: mrl_az3350_nl

Operating instructions and Declaration of conformity (jp) 845 kB, 07.06.2011

Code: mrl_az3350_jp

Operating instructions and Declaration of conformity (es) 563 kB, 02.05.2011

Code: mrl_az3350_es

Operating instructions and Declaration of conformity (da) 389 kB, 26.01.2012

Code: mrl_az3350_da

Operating instructions and Declaration of conformity (fr) 811 kB, 14.12.2010

Code: mrl_az3350_fr

Operating instructions and Declaration of conformity (de) 1 MB, 24.02.2011

Code: mrl_az3350_de

Operating instructions and Declaration of conformity (en) 894 kB, 02.11.2010

Code: mrl_az3350_en

Operating instructions and Declaration of conformity (sv) 386 kB, 22.05.2012

Code: mrl_az3350_sv

Operating instructions and Declaration of conformity (pt) 391 kB, 19.01.2012

Code: mrl_az3350_pt

BG-test certificate (en) 130 kB, 12.01.2015

Code: z_az3p02

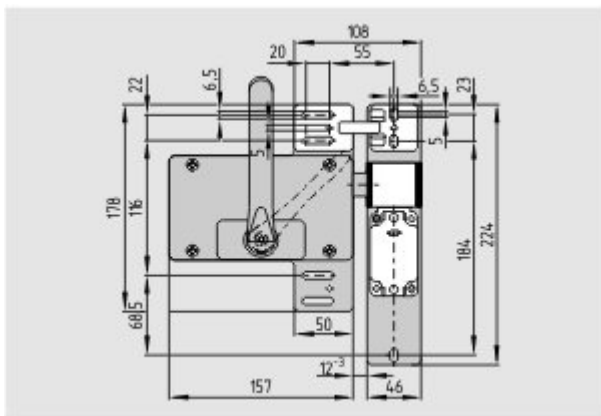
BG-test certificate (de) 131 kB, 12.01.2015

Code: z_az3p01

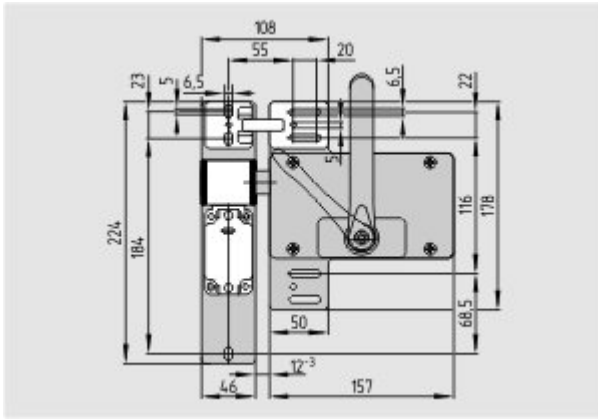
Gost certification (ru) 2 MB, 07.07.2011

Code: q_az1p01

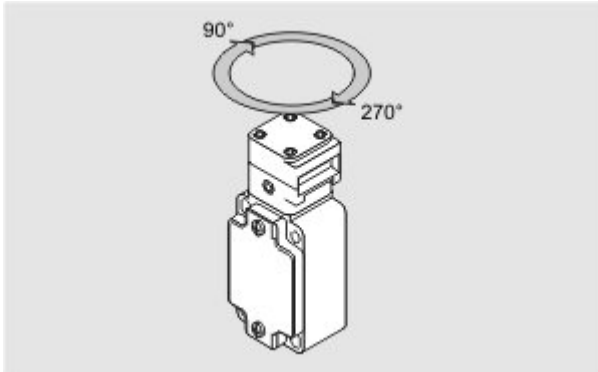
Images



Dimensional drawing (miscellaneous)



Dimensional drawing (miscellaneous)



Application

System components

Door-handle system



AZ 3350-ST530

- Latching handle

Accessories



Lockout tag SZ 415

- Suitable for mounting inside and outside of the hazardous area
- To prevent inadvertent closing, e.g. during maintenance
- For complex plant
- Prevents actuation of the switch
- Lockout tag with 3 circular holes



Centring device

- Pre-positioning
- The actuator is independent from the centring device.
- Smooth insertion or retraction of the actuator