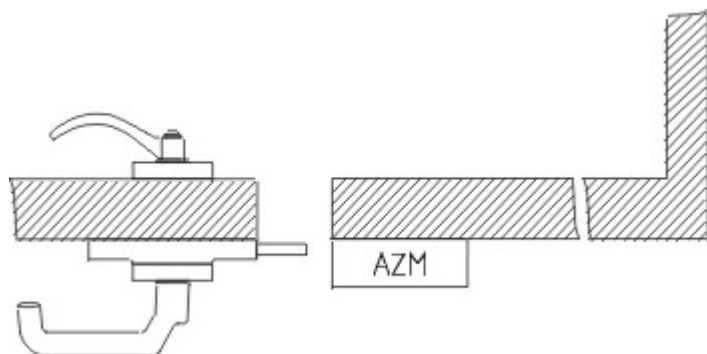


## Datasheet - AZM 415-ST30-06

Solenoid interlock / AZM 415 / Door-handle system STS / AZM 415-ST30



- Latching handle
- Suitable for all types of guard

(Minor differences between the printed image and the original product may exist!)

### Ordering details

Product type description	AZM 415-ST30-06
Article number	101176867
EAN code	4030661307282
eCl@ss	27-27-92-16

### Global Properties

Product name	AZM 415-ST30
Weight	1950 g

### Mechanical data

emergency handle (Y/N)	Yes
Shearing force	30000 N
Actuator mounted	outside
Door hinge	left

### notice

The drawings are always shown with a view to the switch.

### Included in delivery

Mounting plate for safety switch  
 Actuator including mounting plate  
 emergency handle including mounting plate

### Documents

**Operating instructions and Declaration of conformity** (es) 573 kB, 14.02.2012

Code: mrl\_az-azm-sts30\_es

**Operating instructions and Declaration of conformity (it)** 556 kB, 11.06.2012

Code: mrl\_az-azm-sts30\_it

**Operating instructions and Declaration of conformity (de)** 680 kB, 02.12.2011

Code: mrl\_az-azm-sts30\_de

**Operating instructions and Declaration of conformity (fr)** 556 kB, 18.09.2012

Code: mrl\_az-azm-sts30\_fr

**Operating instructions and Declaration of conformity (da)** 555 kB, 26.01.2012

Code: mrl\_az-azm-sts30\_da

**Operating instructions and Declaration of conformity (pl)** 506 kB, 21.11.2013

Code: mrl\_az-azm-sts30\_pl

**Operating instructions and Declaration of conformity (jp)** 612 kB, 11.06.2012

Code: mrl\_az-azm-sts30\_jp

**Operating instructions and Declaration of conformity (pt)** 556 kB, 11.06.2012

Code: mrl\_az-azm-sts30\_pt

**Operating instructions and Declaration of conformity (en)** 555 kB, 26.01.2012

Code: mrl\_az-azm-sts30\_en

**Operating instructions and Declaration of conformity (nl)** 579 kB, 20.09.2012

Code: mrl\_az-azm-sts30\_nl

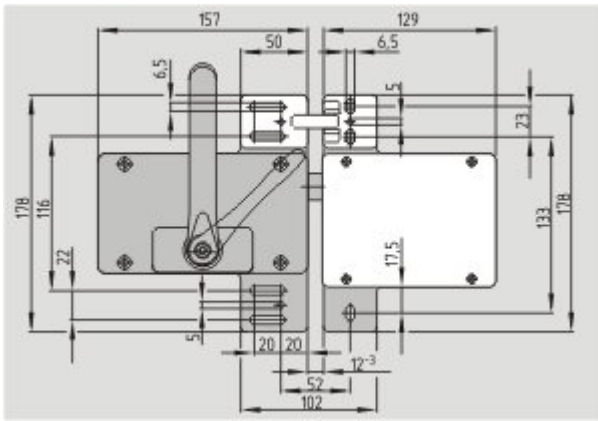
## Images

---



Product photo

---



Dimensional drawing (basic component)

K.A. Schmersal GmbH & Co. KG, Mödinghofe 30, D-42279 Wuppertal

The data and values have been checked thoroughly. Technical modifications and errors excepted.

Generiert am 31.07.2015 - 05:47:56h Kasbase 3.1.12.F.64I