

Datasheet - BOF/HIS.2

Key transfer system / SHGV - Guard locking device / Actuator



- Minimum actuating radius 400 mm
- Flexible actuator



(Minor differences between the printed image and the original product may exist!)

Ordering details

Product type description	BOF/HIS.2
Article number	101025451
EAN code	
eCl@ss	27-27-92-16

Global Properties

Product name	Teleskopbetätiger BOF/HIS.2
Mounting	above
Weight	90 g

Mechanical data

Design of actuators	flexible
Minimum actuating radius	400 mm

Documents

Operating instructions and Declaration of conformity (nl) 600 kB, 08.03.2012

Code: mrl_bo-betaetiger_nl

Operating instructions and Declaration of conformity (fr) 625 kB, 08.03.2012

Code: mrl_bo-betaetiger_fr

Operating instructions and Declaration of conformity (en) 352 kB, 03.05.2011

Code: mrl_bo-betaetiger_en

Operating instructions and Declaration of conformity (jp) 384 kB, 16.03.2012

Code: mrl_bo-betaetiger_jp

Operating instructions and Declaration of conformity (pl) 167 kB, 14.02.2014

Code: mrl_bo-betaetiger_pl

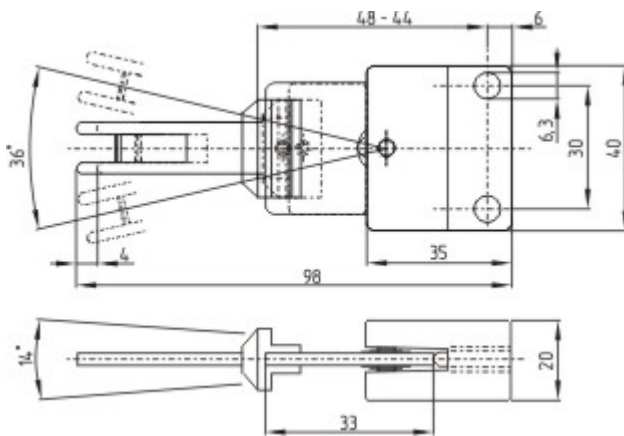
Operating instructions and Declaration of conformity (de) 355 kB, 03.05.2011

Code: mrl_bo-betaetiger_de

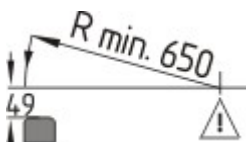
Operating instructions and Declaration of conformity (it) 619 kB, 08.03.2012

Code: mrl_bo-betaetiger_it

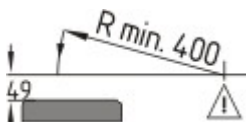
Images



Dimensional drawing (actuator)



Actuating radius



Actuating radius

K.A. Schmersal GmbH & Co. KG, Möddinghofe 30, D-42279 Wuppertal

The data and values have been checked thoroughly. Technical modifications and errors excepted.

Generiert am 29.07.2015 - 22:59:01h Kasbase 3.1.12.F.64I