

## Datasheet - BOW

Key transfer system / SHGV - Guard locking device / Actuator



- Minimum actuating radius 400 mm
- Angled actuator

(Minor differences between the printed image and the original product may exist!)

### Ordering details

Product type description	BOW
Article number	101014462
EAN code	
eCl@ss	27-27-92-16

### Global Properties

Product name	Betätiger BOW Frontbefestigung
Weight	40 g

### Mechanical data

Design of actuators	angled
Minimum actuating radius	400 mm

### Documents

**Operating instructions and Declaration of conformity (nl)** 600 kB, 08.03.2012

Code: mrl\_bo-betaetiger\_nl

**Operating instructions and Declaration of conformity (fr)** 625 kB, 08.03.2012

Code: mrl\_bo-betaetiger\_fr

**Operating instructions and Declaration of conformity (en)** 352 kB, 03.05.2011

Code: mrl\_bo-betaetiger\_en

**Operating instructions and Declaration of conformity (jp)** 384 kB, 16.03.2012

Code: mrl\_bo-betaetiger\_jp

**Operating instructions and Declaration of conformity (pl)** 167 kB, 14.02.2014

Code: mrl\_bo-betaetiger\_pl

**Operating instructions and Declaration of conformity (de)** 355 kB, 03.05.2011

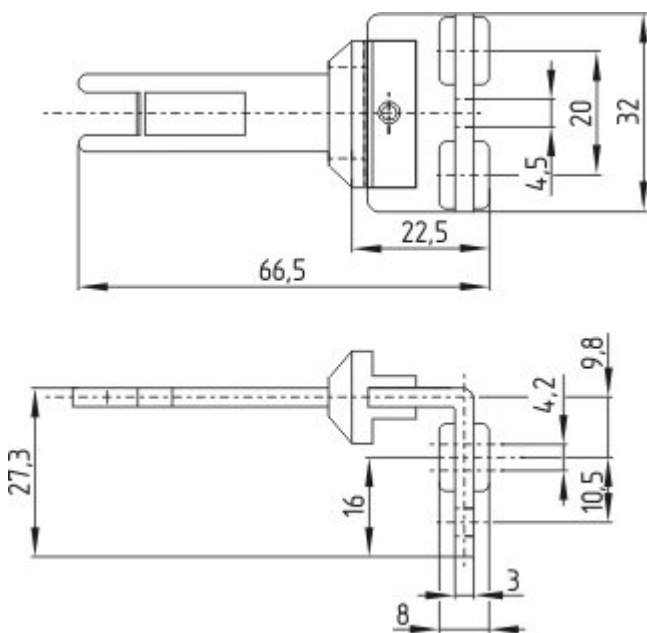
Code: mrl\_bo-betaetiger\_de

**Operating instructions and Declaration of conformity (it)** 619 kB, 08.03.2012

Code: mrl\_bo-betaetiger\_it

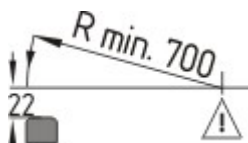
## Images

---



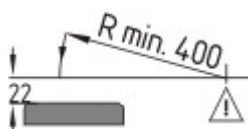
Dimensional drawing (actuator)

---



Actuating radius

---



Actuating radius

---