

SERIES STS

Safety Guard Door-Handle System (with Emergency Release Option)



Features & Benefits

- **Suited for all types of guards** ... for application versatility.
- **Dual-purpose handle** ... unlatches and opens guard. No additional door handles are needed.
- **Optional inside “emergency” release handle available** ... heightens system safety level.
- **Interlock switch mountable from inside or outside guard** ... for application flexibility.
- **Rugged, durable design** ... actuator designed for 15,000 N (3,400 pounds) of shear force.
- **Mechanical design facilitates easy actuator key withdrawal** ... without “sticking” or “binding.”
- **Meets ANSI/RIA R15.06 safety standards** ... provides for emergency egress.

AVAILABLE STANDARD MODELS

Please see page 83

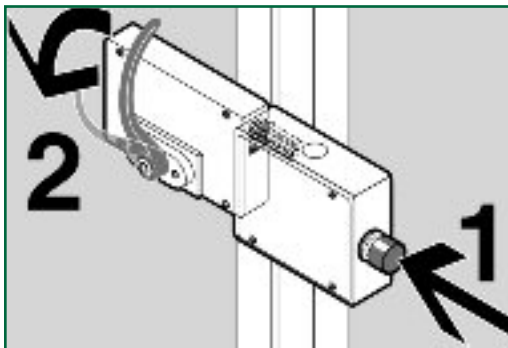
Description

The STS door handle system consists of one safety interlock switch (ordered separately), an actuator key and handle assembly (with or without emergency release handle), mounting plates, and an optional lockout/tagout device. An optional red interior release handle is available which opens the guard from the inside in case of an emergency.

Operation

Should someone find themselves in a hazardous area and the guard is accidentally closed, the guard can be opened from the inside by turning the optional emergency handle (2). Locking of the guard from the inside is not possible.

When using the optional emergency handle with a solenoid-latching keyed interlock switch, always order the version with an emergency unlocking feature. In this case the emergency latching release button or knob (1) provided with this model must be actuated before operating the emergency release handle (2).



AVAILABLE ACCESSORIES

Part Number	Description
MP TG-01	Handle mounting plate for inside mounted actuators
TFA-010	Alignment aid for outside mounting (for hinged guards)
TFI-010	Alignment aid for inside mounting (for hinged guards)
TFA-020	Alignment aid for outside mounting (AZ 16 & AZM 161 ONLY)
TFI-020	Alignment aid for inside mounting (AZ 16 & AZM 161 ONLY)
SZ 415-1	Lockout tag for STS30-02/-04/-06/-08
SZ 415-2	Lockout tag for STS30-01/-03/-05/-07

SERIES STS

SELECTION TABLE & ORDERING GUIDE: SAFETY DOOR-HANDLE SYSTEM

Actuator	Mounting Position Actuator	Door Hinge		
With emergency handle	Inside	Right		XX-ST30-01*
		Left		XX-ST30-02*
	Outside	Right		XX-ST30-05
		Left		XX-ST30-06
Without emergency handle	Inside	Right		XX-ST30-03*
		Left		XX-ST30-04*
	Outside	Right		XX-ST30-07
		Left		XX-ST30-08

*For actuators mounted on the inside, mounting plate **MPTG-01** (ordered separately) must be used to mount the door handle when the door frame width is smaller than the handle.

↑ View from outside the hazardous area
 ↓ View from inside the hazardous area

SERIES STS

TO ORDER COMPLETE STS DOOR HANDLE SYSTEM

1. Complete catalog number by replacing **XX** with the desired safety interlock switch. Please see Catalog GK-1.

AZ 16

AZ 3350 (See below)

AZ 415

AZM 161

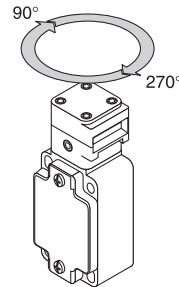
AZM 415

2. **Order Safety Switch separately** (see Catalog GK-1).

NOTE: AZ3350 is an AZ335 switch with an actuator head with a funnel shaped key entry (SDG head, see Catalog GK-1). Available only with STS Door Handle System.

AVAILABLE MODELS

Model	Description
AZ3350-12zuek-U90	Actuated head rotated 90° for door hinge left
AZ3350-12zuek-U270	Actuated head rotated 270° for door hinge right
AZ3350-03zk-U90	Actuated head rotated 90° for door hinge left
AZ3350-03zk-U270	Actuated head rotated 270° for door hinge right



Example: To order a safety door handle system with a right-hand door hinge, an emergency release handle, for inside mounting and equipped with an AZM 415-22XPKT-24 VAC/DC safety interlock switch, order SCHMERSAL part numbers:

- AZM 415-ST30-01
- AZM-22XPKT-24 VAC/DC

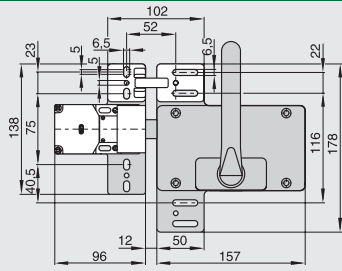
Note: If door frame is smaller than the handle assembly, also order the MP TG-01 Mounting Plate

Example: To order a safety door handle system with a left-hand door hinge, an emergency release handle, for inside mounting and equipped with an AZM 161SK-24rkT safety interlock switch, order SCHMERSAL part numbers:

- AZM 161-ST30-02
- AZM 161SK-24rkT

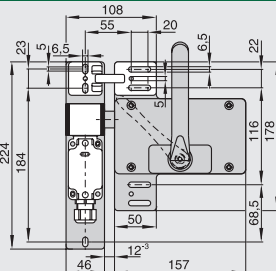
SERIES STS DIMENSIONS

AZ 16-STS30-...



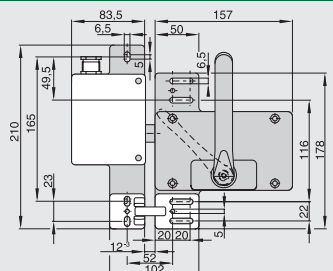
AZ 16 STS30-01/-03/-05/-07

AZ 3350-STS30-...

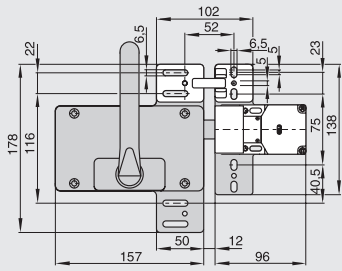


AZ 3350 STS30-01/-03/-05/-07

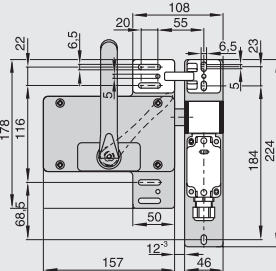
AZ 415-STS30-...



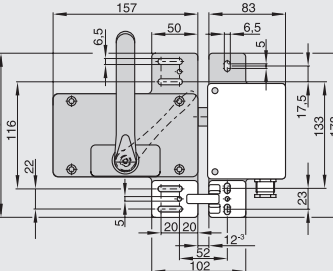
AZ 415 STS30-01/-03/-05/-07



AZ 16 STS30-02/-04/-06/-08



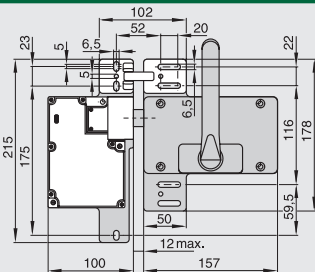
AZ 3350 STS30-02/-04/-06/-08



AZ 415 STS30-02/-04/-06/-08

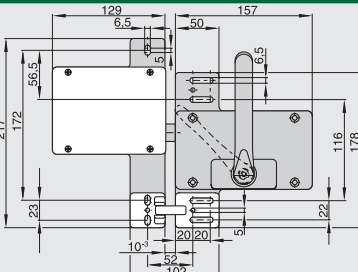
3

AZM 161-STS30-...

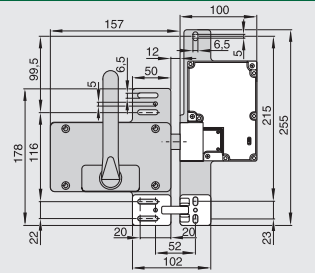


AZM 161 STS30-01/-03/-05/-07

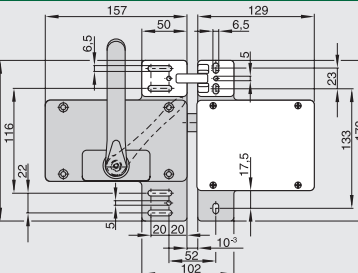
AZM 415-STS30-...



AZM 415 STS30-01/-03/-05/-07

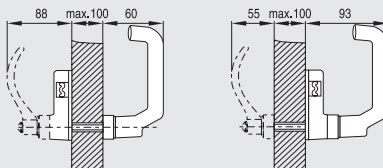


AZM 161 STS30-02/-04/-06/-08



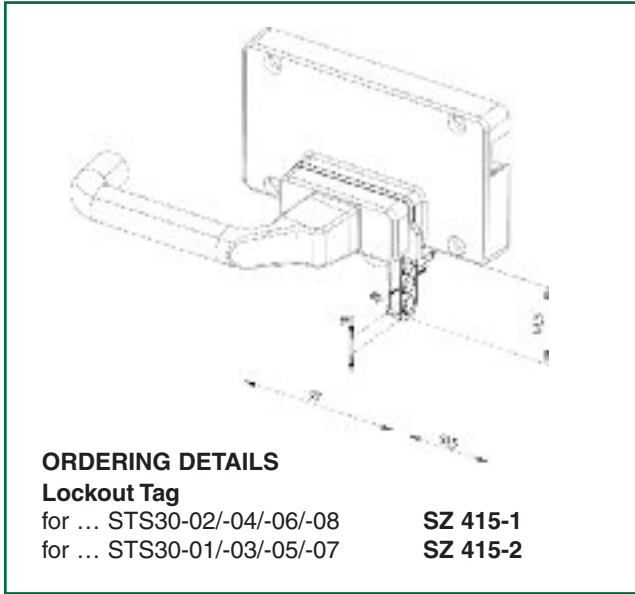
AZM 415 STS30-02/-04/-06/-08

AZ 16 Handle Dimensions

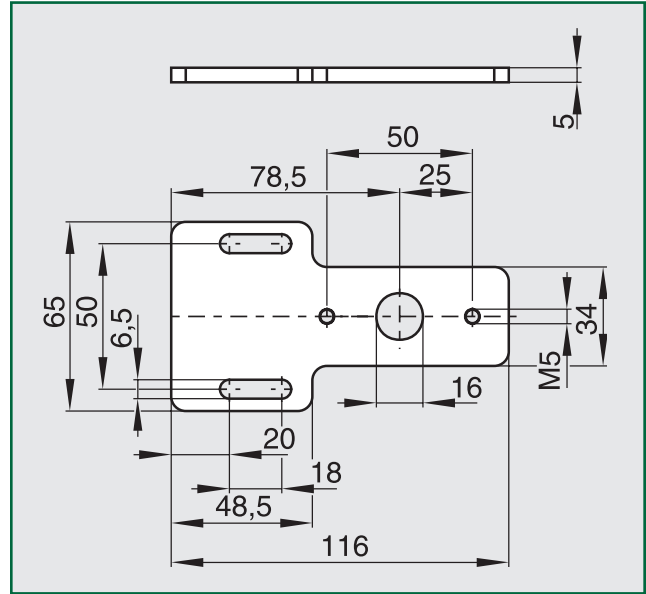


SERIES STS ACCESSORIES

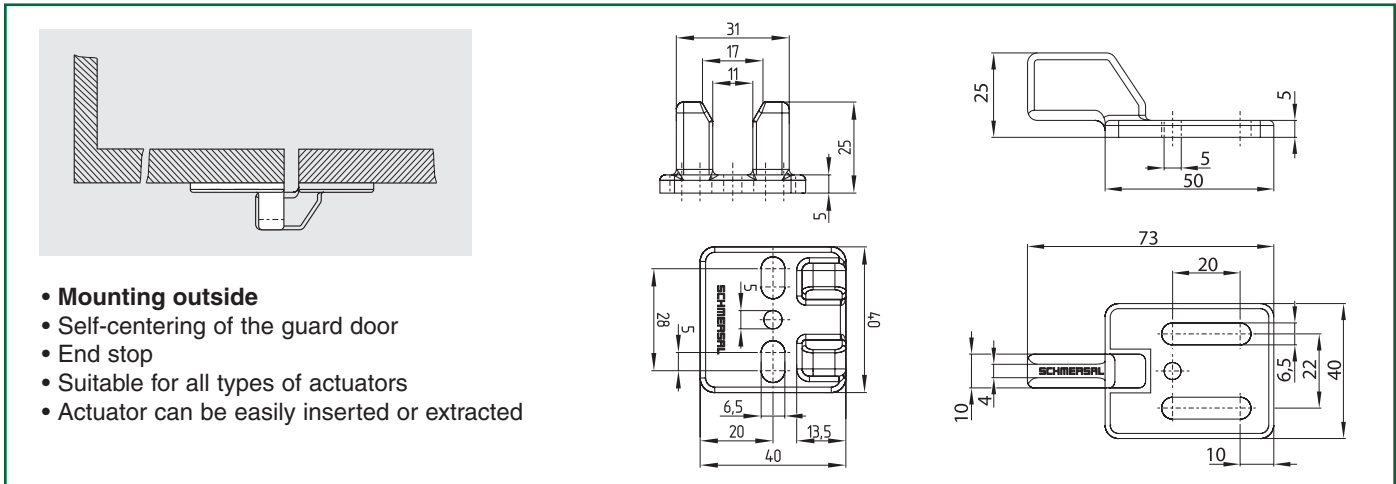
Lockout Accessory



MP TG-01 Handle Mounting Plate



TFA Hinged Guard Alignment Aid (for outside mounting)



TFI Hinged Guard Alignment Aid (for inside mounting)

