

## Datasheet - BN 325-R-1389

Magnetic reed switch / BN 325



(Minor differences between the printed image and the original product may exist!)

- Flat plug-in connector 6.3 mm and 2 shielding plates
- Non-contact principle
- 1 Reed kontakts
- Long life
- Actuating surface and direction of actuation marked by switch symbol
- 85 mm x 26 mm x 24 mm
- Thermoplastic enclosure
- Spade connector


### Ordering details

Product type description	BN 325-R-1389
Article number	101147103
EAN code	4030661141411

### Approval

Approval	-
----------	---

### Global Properties

Product name	BN 325
Standards	IEC/EN 60947-5-2
Compliance with the Directives (Y/N) 	Yes
suitable for elevators (Y/N)	No
Mounting	rear with 2 Threaded bolt
Active principle	Magnetic drive
Materials	
- Material of the housings	Plastic, glass-fibre reinforced thermoplastic
Housing construction form	rectangular, flat
Weight	44 g
Recommended actuator	BP 10 N, BP 10 S, 2 x BP 10 N, 2 x BP 10 S, BP 15 N, BP 15 S, 2 x BP 15/2 N, 2 x BP 15/2 S, BP 34 N, BP 34 S, BP 20 N, BP 20 S, BP 31 N, BP 31 S, BP 11 N, BP 11 S, 2 x BP 11 N, 2 x BP 11 S, BP 12 N, BP 12 S, 2 x BP 12 N, 2 x BP 12 S, BP 21 N, BP 21 S, 2 x BP 21 N, 2 x BP 21 S, BE 20, BE 20 N(S) ST 24VDC, BE 20 N(S) 48VDC

### Mechanical data

Design of electrical connection	Flat plug-in connector 6.3 mm and 2 shielding plates
Mechanical life	1.000.000.e+9 operations
Electrical lifetime	1.000.000 ... 1.000.000.e+9 operations
Switching frequency	max. 300/s
Actuating planes	Actuation from side
Active area	lateral
Switch distance $S_n$	5 mm ... 55 mm

BP 10N = 10 mm  
 BP 10S = 10 mm  
 2 x BP 10N = 15 mm  
 2 x BP 10S = 15 mm  
 BP 15N = 12 mm  
 BP 15S = 12 mm  
 2 x BP 15/2N = 17 mm  
 2 x BP 15/2S = 17mm  
 BP 34N = 10 ... 25mm  
 BP 34S = 10 ... 25 mm  
 BP 20N = 5 ... 20 mm  
 BP 20S = 5 ... 20 mm  
 BP 31N = 5 ... 20 mm  
 BP 31S = 5 ... 20 mm  
 BP 11N = 10 mm  
 BP 11S = 10 mm  
 2 x BP 11N = 20 mm  
 2 x BP 11S = 20 mm  
 BP 12N = 15 mm  
 BP 12S = 15 mm  
 2 x BP 12N = 10 ... 25 mm  
 2 x BP 12S = 10 ... 25 mm  
 BP 21N = 15 ... 40 mm  
 BP 21S = 15 ... 40 mm  
 2 x BP 21N = 20 ... 55 mm  
 2 x BP 21S = 20 ... 55 mm  
 BE 20 = 20 mm  
 BE 20N = 15 mm  
 BE 20S = 15 mm

- notice

Actuating distance up to 55 mm depending on actuating magnet and version

Type of actuation	Magnet
restistance to shock	50 g / 11 ms
Resistance to vibration	10 ... 55 Hz, Amplitude 1 mm
Bounce duration	0,3 ms ... 0,6 ms
Latching (Y/N)	Yes
Actuating speed	max. 18 m/s
Switching point accuracy	± 0,25 mm

## Ambient conditions

---

Ambient temperature	
- Min. environmental temperature	-25 °C
- Max. environmental temperature	+70 °C
Protection class	IP40

## Electrical data

---

Design of control element	bistable contact
Number of snap-in contacts	1
Switching time - Close	max. 1.5 ms
Switching time - Open	max. 0,5 ms
Voltage type	VAC
Dielectric strength	> 600 VAC (50 Hz)
Switching voltage	max. 250 VAC
Switching current	max. 3 A
Switching capacity	max. 120 VA / W

## Outputs

---

Design of control output	Reed kontakts
--------------------------	---------------

## LED switching conditions display

---

LED switching conditions display (Y/N) No

## ATEX

---

Explosion protection categories for gases None  
Explosion protected category for dusts None

## Dimensions

---

Dimensions of the sensor

- Width of sensor	85 mm
- Height of sensor	26 mm
- Length of sensor	24 mm

## notice

---

The opening and closing functions depend on the direction of actuation, the actuating magnets and the polarity of the actuating magnets.  
The switch is to be mounted on iron with a non-magnetic layer of at least 20 mm.

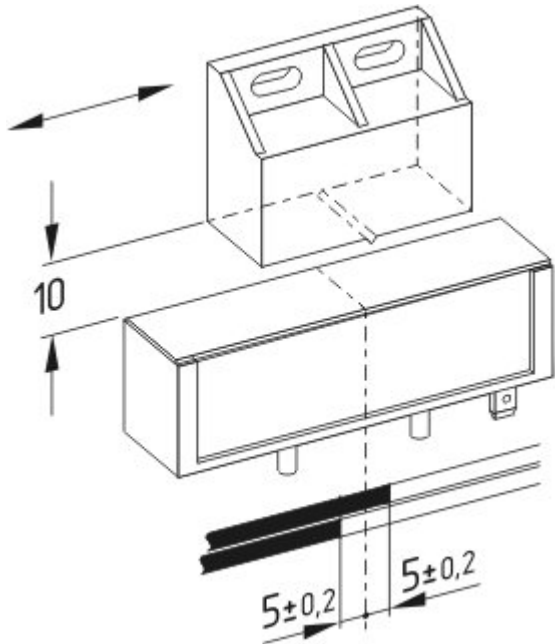
## Included in delivery

---




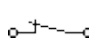

Actuators must be ordered separately.

## Diagram

---



Note Diagram

-  positive break NC contact
-  active
-  no active
-  Normally-open contact
-  Normally-closed contact

## Documents

---

**Mounting and wiring instructions** (de, en, fr) 61 kB, 13.06.2008

Code: m\_n30p01

**Declaration of conformity** (de) 188 kB, 10.07.2012

Code: \_\_bn\_p01

**notice - Switch distance** (pt) 39 kB, 07.08.2009

Code: s\_bnbsp10

**notice - Switch distance** (es) 38 kB, 07.08.2009

Code: s\_bnbsp09

**notice - Switch distance** (it) 40 kB, 07.08.2009

Code: s\_bnbsp05

**notice - Switch distance** (nl) 39 kB, 07.08.2009

Code: s\_bnbsp04

**notice - Switch distance** (fr) 41 kB, 07.08.2009

Code: s\_bnbsp03

**notice - Switch distance** (en) 42 kB, 07.08.2009

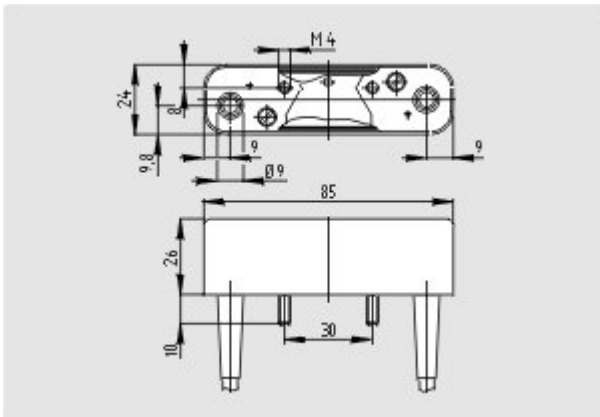
Code: s\_bnbsp02

**notice - Switch distance** (de) 36 kB, 07.08.2009

Code: s\_bnbsp01

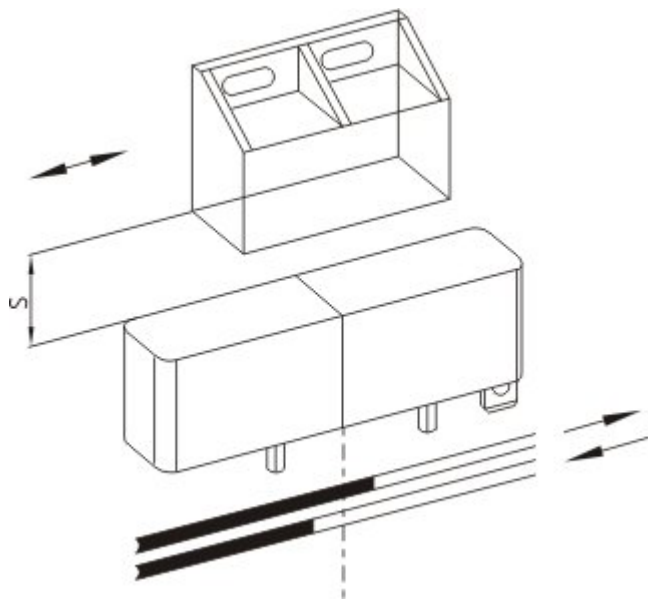
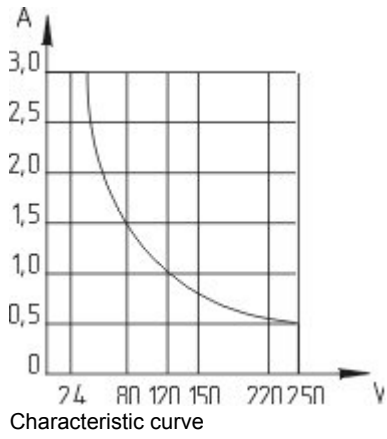
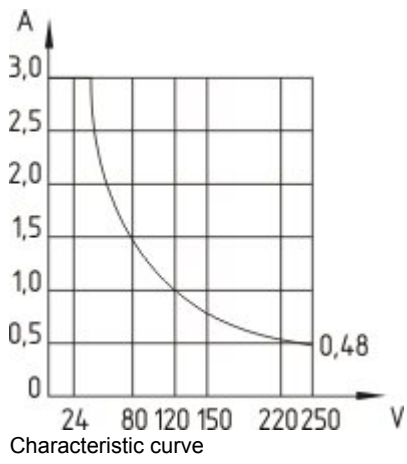
## Images

---



Dimensional drawing (basic component)

---



K.A. Schmersal GmbH & Co. KG, Möddinghofe 30, D-42279 Wuppertal  
 The data and values have been checked thoroughly. Technical modifications and errors excepted.  
 Generiert am 12.02.2013 - 15:28:01h Kasbase 2.2.2.F DBI

Image

Image  
 et=sS  
 e