

Datasheet - BNS-Y-11

Connector / Other

Preferred typ



- enables the interconnection and the connection of BNS safety sensors to a common safety monitoring module
- for BNS 33, BNS 36, BNS 260 (with 1 NC/1 NO)



(Minor differences between the printed image and the original product may exist!)

Ordering details

Product type description	BNS-Y-11
Article number	101194059
EAN code	4030661358178

Global Properties

Product name	Y-Adapter
Connector	2 x female connector, 4-pole 1 x male connector, 4-pole
Design	Y-adapter
Weight	20 g
Recommended combinations	BNS 33, BNS 36, BNS 260

Mechanical data

termination	M8
Bolting device	Screw locking
Mechanical life	min. 100 cycles

Ambient conditions

Ambient temperature	
- Min. environmental temperature	-25 °C

- Max. environmental temperature	+70 °C
Protection class	IP67

Dimensions

Dimensions	
- Width	23.5 mm
- Height	31 mm
- Length	10 mm

notice

The BNS-Y-11 adapter is suitable for BNS safety sensors with NO and NC contacts. The BNS-Y-11 enables a series-parallel wiring of the safety sensors, in which the NC contacts of the safety sensors are wired in series and the NO contacts are wired in parallel.

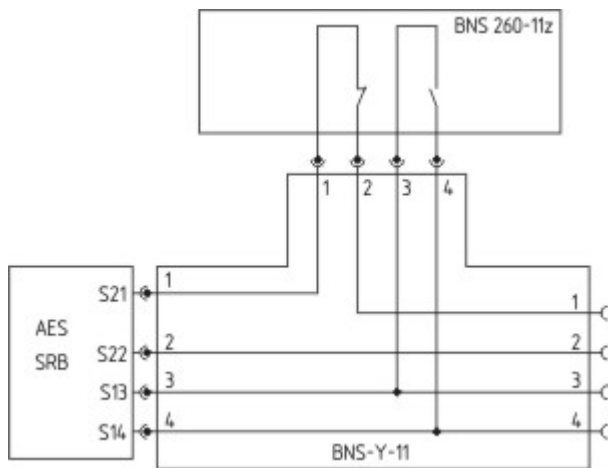
Any conventional 4-pole cable with M8 x 1 connector (A coding) can be used as connecting cable.

The sensor chain is extended by clipping-on further Y-adapters in the direction indicated by the arrow. The extension lead must be terminated by a safety sensor.

Only safety sensors with the same contact configuration can be wired in series. The BNS-Y-11 and BNS-Y-02 types must not be mixed.

The maximum length of the series-wired chain is 50 m.

Diagram



Note Diagram

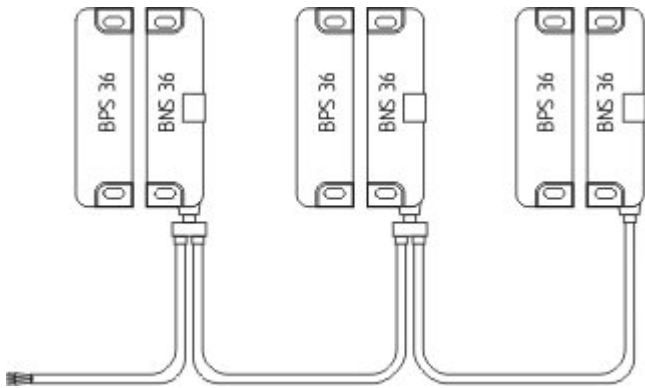
- positive break NC contact
- active
- no active
- Normally-open contact
- Normally-closed contact

Documents

Mounting and wiring instructions (de, en, fr) 75 kB, 05.09.2008

Code: m_nsyp01

Images



Wiring example

K.A. Schmersal GmbH & Co. KG, Möddinghofe 30, D-42279 Wuppertal
The data and values have been checked thoroughly. Technical modifications and errors excepted.
Generiert am 11.03.2013 - 20:26:37h Kasbase 2.2.6.F DBI

Image

Image
et=sS