

## Datasheet - CSS-T

Accessories SD interface / SD junction boxes M12



Preferred typ



(Minor differences between the printed image and the original product may exist!)

- Accessories for series-wiring with serial diagnostics
- for Sensors

### Ordering details

Product type description	CSS-T
Article number	101190026
EAN code	4030661355894

### Global Properties

Product name	T-Adapter
Connector	1 x Connector, 5-pole 2 x Coupling, 5- and 8-poles
Design	T-adapter
Weight	33 g
Recommended combinations	Sensors
notice	For the wiring, M12 cable extensions can be used. The voltage drop (due to the cable length, cable section, voltage drop per sensor) should be taken into account, as it reduces the maximum number of safety sensors and interlocks with SD interface that can be wired in series.

### Mechanical data

termination	M12
Bolting device	Screw locking

### Ambient conditions

Ambient temperature	
- Min. environmental temperature	-25 °C
- Max. environmental temperature	+70 °C

### Electrical data

Rated operating voltage $U_e$	30 VDC
-------------------------------	--------

Operating current $I_e$	2 A
Fuse rating for the operating voltage	2 A

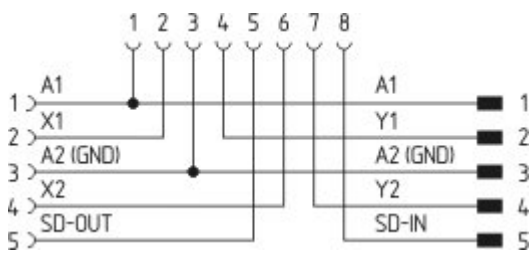
## Dimensions

Dimensions	
- Width	23.5 mm
- Height	15 mm
- Length	56 mm

## notice

With the CSS-T T-adapter, CSS 34 sensors can be daisy-chained.

## Diagram



Note Diagram

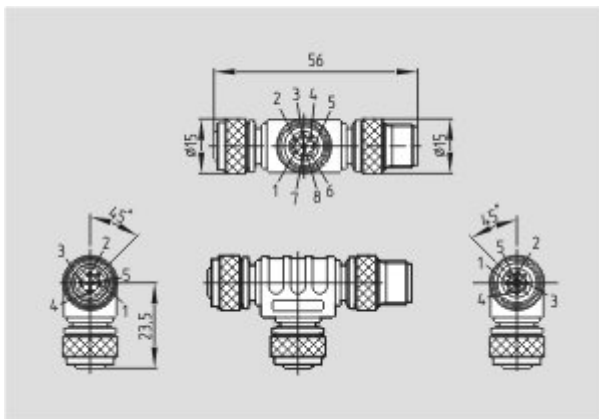
- positive break NC contact
- active
- no active
- Normally-open contact
- Normally-closed contact

## Documents

**Mounting and wiring instructions** (de, en, fr) 49 kB, 18.06.2009

Code: m\_cstp01

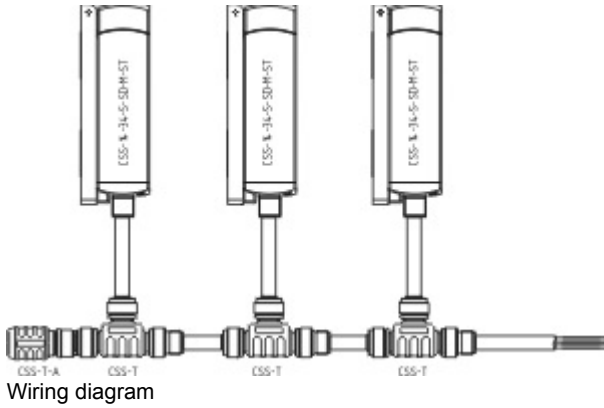
## Images



Dimensional drawing (miscellaneous)



Detail photo



## System components

### Connector



#### V-SK8M12

- Interconnector
- 8-pole

K.A. Schmersal GmbH & Co. KG, Möddinghofe 30, D-42279 Wuppertal

The data and values have been checked thoroughly. Technical modifications and errors excepted.

Generiert am 12.02.2013 - 21:45:37h Kasbase 2.2.2.F DBI

Image

Image  
et=sS