

Datasheet - CSS-Y-8P

Accessories SD interface / SD junction boxes M12



Preferred typ

• Accessories for series-wiring with serial diagnostics



(Minor differences between the printed image and the original product may exist!)

Ordering details

Product type description	CSS-Y-8P
Article number	101209416
EAN code	4030661388809

Global Properties

Product name	Y-Adapter
Connector	2 x female connector, 8-pole 1 x male connector, 8-pole
Design	Y-adapter
Weight	50 g
Recommended combinations notice	Solenoid interlock and Sensors Enables the series-wiring of sensors and solenoid interlocks with SD interface. To that effect, both the safety channels and the serial diagnostic lines are wired in series. For the wiring, M12 cable extensions can be used. The voltage drop (due to the cable length, cable section, voltage drop per sensor) should be taken into account, as it reduces the maximum number of safety sensors and interlocks with SD interface that can be wired in series.

Mechanical data

termination	M12
-------------	-----

Bolting device

Screw locking

Ambient conditions

Ambient temperature

- Min. environmental temperature	-25 °C
- Max. environmental temperature	+75 °C

Electrical data

Rated operating voltage U_e	30 VDC
Operating current I_e	4 A
Fuse rating for the operating voltage	4 A

Dimensions

Dimensions

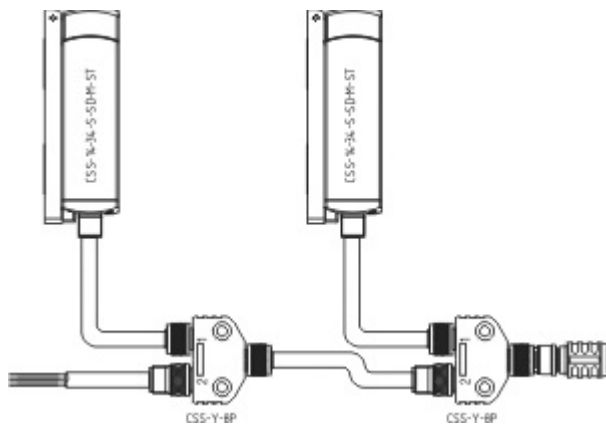
- Width	38 mm
- Height	20 mm
- Length	54.5 mm

Documents

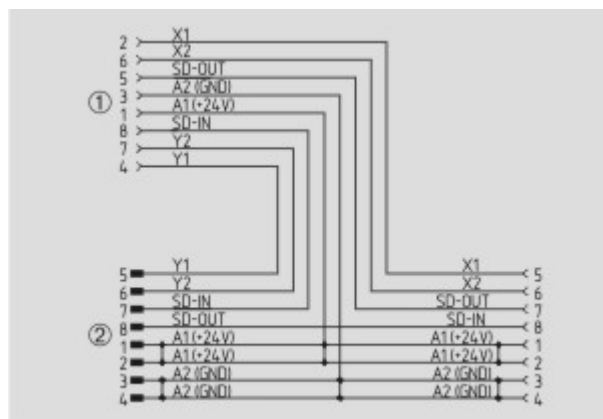
Mounting and wiring instructions (de, en, fr) 82 kB, 27.01.2012

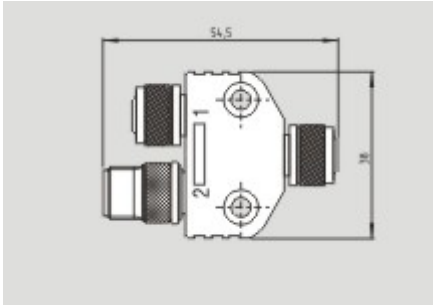
Code: m_csyp01

Images



Application





Product graph

System components

Connector



V-SK8M12

- Interconnector
 - 8-pole
-

K.A. Schmersal GmbH & Co. KG, Mödinghofe 30, D-42279 Wuppertal

The data and values have been checked thoroughly. Technical modifications and errors excepted.

Generiert am 12.02.2013 - 22:01:49h Kasbase 2.2.2.F DBI

Image

Image
et=sS