

## Datasheet - SD-2V-S-SK

Accessories SD interface / SD junction boxes (junction box for 2 components)



Preferred typ



(Minor differences between the printed image and the original product may exist!)

- for cabinet-mounting
- junction box for 2 components, with screw terminals
- is fitted onto a proper standard DIN rail to facilitate wiring in the control cabinet

### Ordering details

Product type description	SD-2V-S-SK
Article number	101188436
EAN code	4030661352565

### Approval

Approval	VDE 0100
----------	----------

### Global Properties

Product name	SD-Verteiler
Compliance with the Directives (Y/N) 	Yes
Protection rating	II
Materials	
- Material of the housings	Plastic, thermoplastic, self-extinguishing
Weight	200 g

### Mechanical data

termination	Screw connection
Cable section	
- Min. Cable section	0,25 mm <sup>2</sup>
- Max. Cable section	2.5 mm <sup>2</sup>
notice	All indications about the cable section are including the conductor ferrules.

### Ambient conditions

---

#### Ambient temperature

- Min. environmental temperature -25 °C
- Max. environmental temperature +70 °C

#### Storage and transport temperature

- Min. Storage and transport temperature -25 °C
- Max. Storage and transport temperature +85 °C

#### Relative humidity

30 % ... 95 %, non-condensing

#### Protection class

IP00

#### Air clearances and creepage distances To IEC/EN 60664-1

- Rated impulse withstand voltage  $U_{imp}$  0,8 kV
- Overvoltage category III
- Degree of pollution 2

---

### Electrical data

Rated insulation voltage $U_i$	32 VDC
Rated operating voltage $U_e$	24 VDC - 15 % / + 10 % (stabilised PELV)
Operating current $I_e$	16 A
Fuse rating for the operating voltage	3x Safety fuse, 2 A slow blow
Device insulation	16 A

---

### Dimensions

#### Dimensions

- Width 92 mm
- Height 89.6 mm
- Depth 68.5 mm

---

### notice

To each SD junction box, 2 (optionally 3) components can be connected.

---

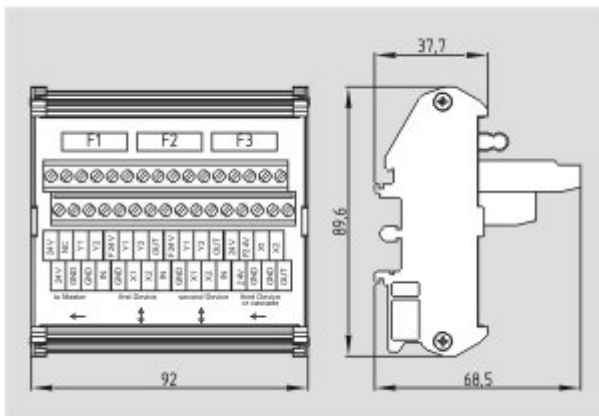
### Documents

**Mounting and wiring instructions** (de, en, fr) 271 kB, 06.03.2008

Code: m\_sdv01

---

### Images



Dimensional drawing (basic component)

---

K.A. Schmersal GmbH & Co. KG, Möddinghofe 30, D-42279 Wuppertal

The data and values have been checked thoroughly. Technical modifications and errors excepted.

Generiert am 14.02.2013 - 15:58:46h Kasbase 2.2.2.F DBI

Image

Image  
et=sS  
e