

## Datasheet - SD-I-U-CAN

Accessories SD interface / Gateway / SD-I-U



Preferred typ



- UNIVERSAL Gateway for the series-wiring of the diagnostic signals of safety switchgear with integrated SD interface.
- Comprehensive volumes of status and diagnostic data of the SD devices are transmitted to the control system through the field bus interface.
- Series-wiring of the diagnostic lines of max. 31 safety switchgear
- Series-wiring of different devices possible
- Reduced wiring efforts and costs as a result of the series-wiring of the safety channels and the diagnostic cables in the field.
- Automatic addressing of the safety switchgear in the SD interface

(Minor differences between the printed image and the original product may exist!)

### Ordering details

Product type description	SD-I-U-CAN
Article number	101210916
EAN code	4030661389271

### Approval

Approval	None
----------	------

### Global Properties

Product name	UNIVERSAL-Gateway
Standards	-
Compliance with the Directives (Y/N) 	Yes
Mounting	snaps onto standard DIN rail to EN 60715
Weight	

### Mechanical data

Design of electrical connection	Cage clamps
resistance to shock	10 g
Resistance to vibration To EN 60068-2-6	10 ... 57 Hz, Amplitude 0,35 mm;

## Ambient conditions

---

Ambient temperature	
- Min. environmental temperature	0 °C
- Max. environmental temperature	+55 °C
Storage and transport temperature	
- Min. Storage and transport temperature	-25 °C
- Max. Storage and transport temperature	+75 °C
Relative humidity	30 % ... 85 % non-condensing
Protection class	
- Protection class-Enclosure	IP20
Air clearances and creepage distances To IEC/EN 60664-1	
- Rated impulse withstand voltage $U_{imp}$	0,5 kV
- Overvoltage category	II To VDE 0110
- Degree of pollution	2 To VDE 0110

## Electromagnetic compatibility (EMC)

---

EMC rating	
- to EN 61000-4-2	± 6 kV contact discharge ± 8 kV Air discharge
- to EN 61000-4-3	10 V/m, 80 % AM
- to EN 61000-4-4	± 1 kV all connections
- to EN 61000-4-5	± 1 kV all connections
- to EN 61000-4-6	10 V all connections
Interfering radiation	to IEC 61000-6-4 (2002)

## Interface

---

Interface	CANopen
-----------	---------

## Electrical data

---

Rated insulation voltage $U_i$	32 V
Rated operating voltage $U_e$	24 VDC, - 15 % / + 20 % (stabilised PELV)
Operating current $I_e$	max. 500 mA
Max. fuse rating	external fuse 1 A slow blow

## LED switching conditions display

---

LED switching conditions display (Y/N)	Yes
Number of LED's	1 piece

## Miscellaneous data

---

Applications



Guard system



Safety sensor

## Dimensions

---

## Dimensions

- Width	50 mm
- Height	100 mm
- Depth	80 mm

## Keywords

---

Search keys

PROFIBUS, UNIVERSAL-Gateway

## Documents

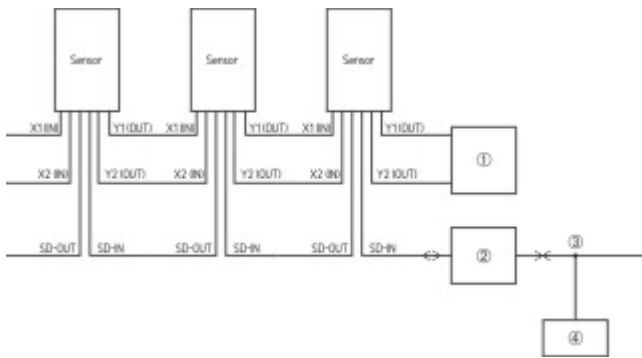
---

**Mounting and wiring instructions** (de, en, fr) 966 kB, 13.01.2012

Code: m\_sdip07

## Images

---



Wiring example

---

K.A. Schmersal GmbH & Co. KG, Möddinghofe 30, D-42279 Wuppertal

The data and values have been checked thoroughly. Technical modifications and errors excepted.

Generiert am 14.02.2013 - 16:13:48h Kasbase 2.2.2.F DBI

Image

Image  
et=sS  
e