

Datasheet - SD-I-U-DN

Accessories SD interface / Gateway / SD-I-U



Preferred typ



- UNIVERSAL Gateway for the series-wiring of the diagnostic signals of safety switchgear with integrated SD interface.
- Comprehensive volumes of status and diagnostic data of the SD devices are transmitted to the control system through the field bus interface.
- Series-wiring of the diagnostic lines of max. 31 safety switchgear
- Series-wiring of different devices possible
- Reduced wiring efforts and costs as a result of the series-wiring of the safety channels and the diagnostic cables in the field.
- Automatic addressing of the safety switchgear in the SD interface

(Minor differences between the printed image and the original product may exist!)


Ordering details

Product type description	SD-I-U-DN
Article number	101210919
EAN code	4030661389257

Approval

Approval	None
----------	------

Global Properties

Product name	UNIVERSAL-Gateway
Standards	-
Compliance with the Directives (Y/N) 	Yes
Mounting	snaps onto standard DIN rail to EN 60715
Weight	

Mechanical data

Design of electrical connection	Cage clamps
resistance to shock	10 g
Resistance to vibration To EN 60068-2-6	10 ... 57 Hz, Amplitude 0,35 mm;

Ambient conditions

Ambient temperature	
- Min. environmental temperature	0 °C
- Max. environmental temperature	+55 °C
Storage and transport temperature	
- Min. Storage and transport temperature	-25 °C
- Max. Storage and transport temperature	+75 °C
Relative humidity	30 % ... 85 % non-condensing
Protection class	
- Protection class-Enclosure	IP20
Air clearances and creepage distances To IEC/EN 60664-1	
- Rated impulse withstand voltage U_{imp}	0,5 kV
- Overvoltage category	II To VDE 0110
- Degree of pollution	2 To VDE 0110

Electromagnetic compatibility (EMC)

EMC rating	
- to EN 61000-4-2	± 6 kV contact discharge ± 8 kV Air discharge
- to EN 61000-4-3	10 V/m, 80 % AM
- to EN 61000-4-4	± 1 kV all connections
- to EN 61000-4-5	± 1 kV all connections
- to EN 61000-4-6	10 V all connections
Interfering radiation	to IEC 61000-6-4 (2002)

Interface

Interface	DeviceNet
-----------	-----------

Electrical data

Rated insulation voltage U_i	32 V
Rated operating voltage U_e	24 VDC, - 15 % / + 20 % (stabilised PELV)
Operating current I_e	max. 500 mA
Max. fuse rating	external fuse 1 A slow blow

LED switching conditions display

LED switching conditions display (Y/N)	Yes
Number of LED's	1 piece

Miscellaneous data

Applications



Guard system



Safety sensor

Dimensions

Dimensions

- Width	50 mm
- Height	100 mm
- Depth	80 mm

Keywords

Search keys

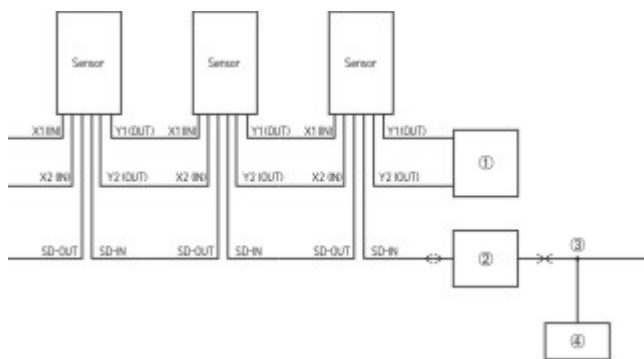
PROFIBUS, UNIVERSAL-Gateway

Documents

Mounting and wiring instructions (de, en, fr) 966 kB, 13.01.2012

Code: m_sdip07

Images



Wiring example

K.A. Schmersal GmbH & Co. KG, Möddinghofe 30, D-42279 Wuppertal

The data and values have been checked thoroughly. Technical modifications and errors excepted.

Generiert am 14.02.2013 - 16:27:25h Kasbase 2.2.2.F DBI

Image

Image
et=sS
e