

Datasheet - SD-I-U-EIP

Accessories SD interface / Gateway / SD-I-U



Preferred typ



- UNIVERSAL Gateway for the series-wiring of the diagnostic signals of safety switchgear with integrated SD interface.
- Comprehensive volumes of status and diagnostic data of the SD devices are transmitted to the control system through the field bus interface.
- Series-wiring of the diagnostic lines of max. 31 safety switchgear
- Series-wiring of different devices possible
- Reduced wiring efforts and costs as a result of the series-wiring of the safety channels and the diagnostic cables in the field.
- Automatic addressing of the safety switchgear in the SD interface

(Minor differences between the printed image and the original product may exist!)

Ordering details

| | |
|--------------------------|---------------|
| Product type description | SD-I-U-EIP |
| Article number | 101210917 |
| EAN code | 4030661389240 |

Approval

| | |
|----------|------|
| Approval | None |
|----------|------|

Global Properties

| | |
|--|--|
| Product name | UNIVERSAL-Gateway |
| Standards | - |
| Compliance with the Directives (Y/N)  | Yes |
| Mounting | snaps onto standard DIN rail to EN 60715 |
| Weight | |

Mechanical data

| | |
|---|----------------------------------|
| Design of electrical connection | Cage clamps |
| resistance to shock | 10 g |
| Resistance to vibration To EN 60068-2-6 | 10 ... 57 Hz, Amplitude 0,35 mm; |

Ambient conditions

| | |
|---|------------------------------|
| Ambient temperature | |
| - Min. environmental temperature | 0 °C |
| - Max. environmental temperature | +55 °C |
| Storage and transport temperature | |
| - Min. Storage and transport temperature | -25 °C |
| - Max. Storage and transport temperature | +75 °C |
| Relative humidity | 30 % ... 85 % non-condensing |
| Protection class | |
| - Protection class-Enclosure | IP20 |
| Air clearances and creepage distances To IEC/EN 60664-1 | |
| - Rated impulse withstand voltage U_{imp} | 0,5 kV |
| - Overvoltage category | II To VDE 0110 |
| - Degree of pollution | 2 To VDE 0110 |

Electromagnetic compatibility (EMC)

| | |
|-----------------------|--|
| EMC rating | |
| - to EN 61000-4-2 | ± 6 kV contact discharge ± 8 kV Air discharge |
| - to EN 61000-4-3 | 10 V/m, 80 % AM |
| - to EN 61000-4-4 | ± 1 kV all connections |
| - to EN 61000-4-5 | ± 1 kV all connections |
| - to EN 61000-4-6 | 10 V all connections |
| Interfering radiation | to IEC 61000-6-4 (2002) |

Interface

| | |
|-----------|-------------|
| Interface | EtherNet IP |
|-----------|-------------|

Electrical data

| | |
|--------------------------------|---|
| Rated insulation voltage U_i | 32 V |
| Rated operating voltage U_e | 24 VDC, - 15 % / + 20 % (stabilised PELV) |
| Operating current I_e | max. 500 mA |
| Max. fuse rating | external fuse 1 A slow blow |

LED switching conditions display

| | |
|--|---------|
| LED switching conditions display (Y/N) | Yes |
| Number of LED's | 1 piece |

Miscellaneous data

Applications



Guard system



Safety sensor

Dimensions

Dimensions

| | |
|----------|--------|
| - Width | 50 mm |
| - Height | 100 mm |
| - Depth | 80 mm |

Keywords

Search keys

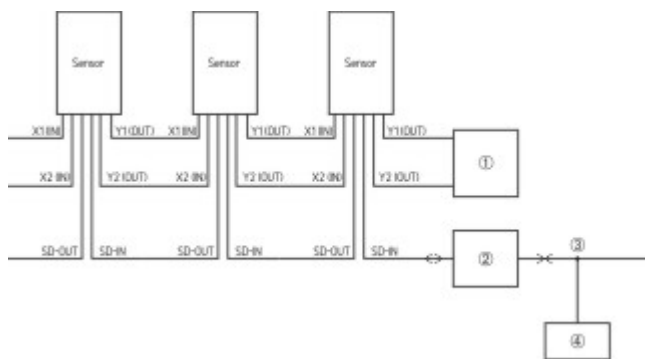
PROFIBUS, UNIVERSAL-Gateway

Documents

Mounting and wiring instructions (de, en, fr) 966 kB, 13.01.2012

Code: m_sdip07

Images



Wiring example

K.A. Schmersal GmbH & Co. KG, Möddinghofe 30, D-42279 Wuppertal

The data and values have been checked thoroughly. Technical modifications and errors excepted.

Generiert am 14.02.2013 - 16:31:18h Kasbase 2.2.2.F DBI

Image

Image
et=sS
e