

Datasheet - SZ 415-2



Safety switch with separate actuator / AZ 16 / Door-handle system STS / Accessories /
Lockout tag SZ 415

Preferred typ



- Suitable for mounting inside and outside of the hazardous area
- To prevent inadvertent closing, e.g. during maintenance
- For complex plant
- Prevents actuation of the switch
- Lockout tag with 3 circular holes

(Minor differences between the printed image and the original product may exist!)

Ordering details

Product type description	SZ 415-2
Article number	101147932
EAN code	4030661144993

Global Properties

Product name	Sperrzange SZ 415
Weight	95 g

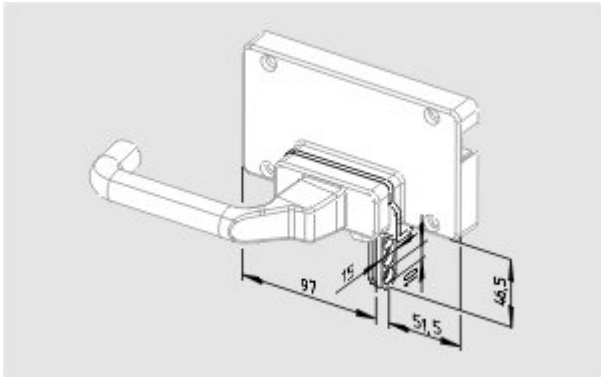
Mechanical data

Door hinge	left
------------	------

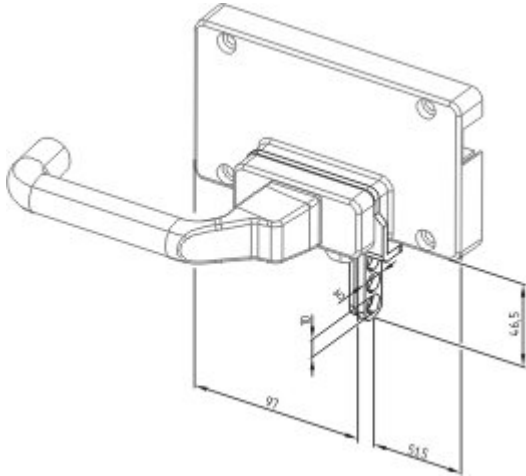
Documents

Mounting and wiring instructions (de, en, fr, it, es, jp) 216 kB, 02.10.2002
Code: m_z41p04

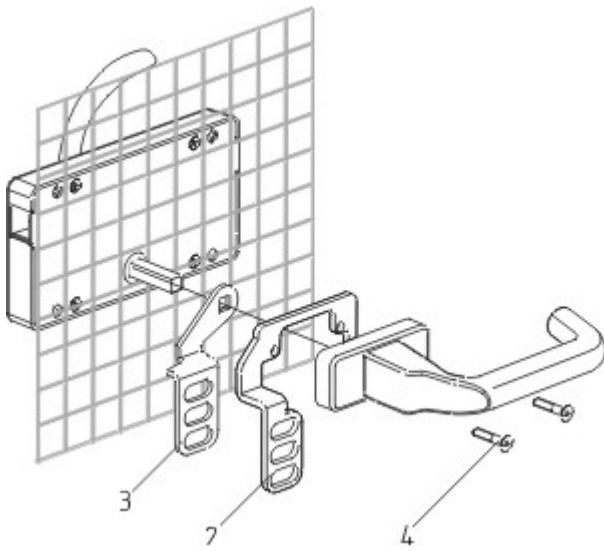
Images



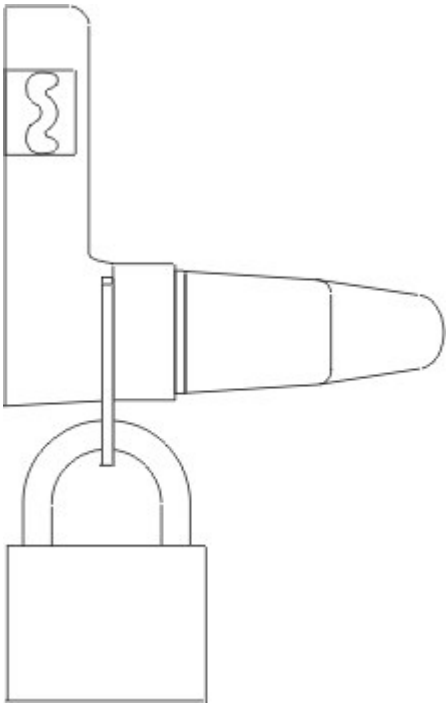
Dimensional drawing (miscellaneous)



Dimensional drawing (miscellaneous)



Assembly example



Operating principle

K.A. Schmersal GmbH & Co. KG, Möddinghofe 30, D-42279 Wuppertal
The data and values have been checked thoroughly. Technical modifications and errors excepted.
Generiert am 19.02.2013 - 17:34:10h Kasbase 2.2.2.F DBI

Image

Image
et=sS
e