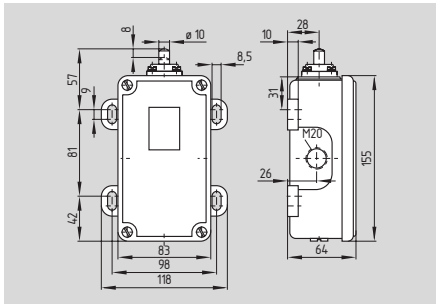


Position and limit switches

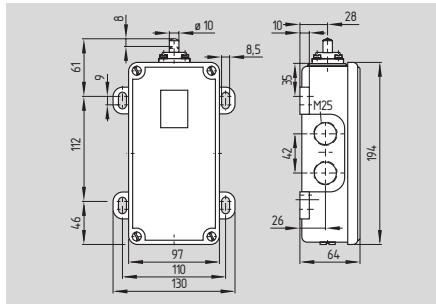
T/M 461



- Metal enclosure
- 3 or 4 contact, slow action \ominus
- Slow action available with overlapping or staggered contacts
- Snap action, change-over contact with double break
- 2 cable entries
- Protection class IP 65

The switch travel of the contacts complies with the T/M 441 or T 422 series (see page 1-126).

T 470



- Metal enclosure
- 6 contact, slow action \ominus
- Slow action available with overlapping or staggered contacts
- 4 cable entries
- Protection class IP 65

The switch travel of the contacts complies with the T/M 441 or T 422 series (see page 1-126).

Technical data

Standards:	IEC/EN 60947-5-1
Enclosure:	cast iron, galvanised, chromated, paint finish
Protection class:	IP 65 to EN 60529
Contact material:	silver
Switching system:	slow or snap action, double break
Contact type:	slow action: change-over contact up to 250 V, with galvanically separated contact bridges
	slow action: positive break NC contacts \ominus
Termination:	screw terminals M 4
Cable section:	max. 2.5 mm ² (incl. conductor ferrules)
U _{imp} :	slow action: 4 kV
	slow action: 6 kV
U _j :	slow action: 250 V
	slow action: 400 V
	suffix -k or -t: 500 V
I _{the} :	16 A
I _e /U _e :	slow action: 4 A / 230 V
	slow action: 4 A / 400 V
Utilisation category:	AC-15
Max. fuse rating:	16 A gG D-fuse
Contact opening:	slow action: max. 2 x 2.5 mm
	slow action: max. 2 x 6.0 mm
Switchover time:	slow action: ≤ 35 ms
Bounce duration:	slow action: ≤ 5 ms
Ambient temperature:	- 30 °C ... + 90 °C
Mechanical life:	slow action: 5 million operations
	slow action: 10 million operations
Contact life:	slow action: 10 million operations at 1 A / 400 V, cos φ = 0,4
	max. 3000/h
Switching frequency:	max. 1 m/s,
Actuating speed:	min. 1 mm/s on plunger

Approvals



Ordering details

①② 461-③y- ④

No.	Replace	Description
①	T	Slow action \ominus
	M	Snap action (only for -22y)
②	For the appropriate actuator: see page 1-126 and following	
③	03	3 NC
	13	1 NO/3 NC
	22	2 NO/2 NC
	30	3 NO
	31	3 NO/1 NC
④	k	Tropical version with ceramic insulation
	t	Tropical and temperature-resistant version - 40 °C ... + 200 °C
	1276-2	Gold-plated contacts

Approvals



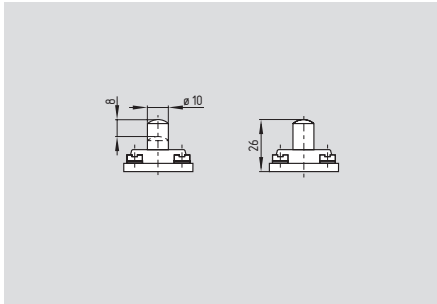
Ordering details

T① 470-②y-③

No.	Replace	Description
①	For the appropriate actuator: see page 1-126 and following	
②	33	3 NO/3 NC (every other contact combination is possible, except 6 NO contacts or 6 NC contacts)
③	k	Tropical version with ceramic insulation
	t	Tropical and temperature-resistant version - 40 °C ... + 200 °C
	1276-2	Gold-plated contacts

Position and limit switches

Plunger S



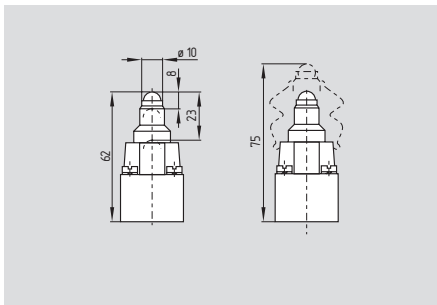
- Actuating speed 1 m/s with an actuating angle of max. 20°

Actuation from the side of the plunger should be avoided, since this reduces the mechanical life of the position switch.

Contact variants

Contacts/ Switch travel	Snap action	Slow action
1 NO / 1 NC	MS 441-11y 	TS 441-11y
1 NC		TS 422-01y
1 NO		TS 422-10y

Telescopic plunger 2S



- Actuating speed 1 m/s with an actuating angle of max. 20°
- Large after travel
- Actuator head with captive metal ball actuator
- Available with bellows to protect against heavy soiling, ordering suffix -q

Actuation from the side of the plunger should be avoided, since this appreciably reduces the mechanical life of the position switch.

Contact variants

Contacts/ Switch travel	Snap action	Slow action
1 NO / 1 NC	M2S 441-11y 	T2S 441-11y
1 NC		T2S 422-01y
1 NO		T2S 422-10y