



### Features & Benefits

- **Rugged, corrosion-resistant housing** ... tolerates hostile environments.
- **“Positive-break” NC contacts** ... assures circuit interruption upon pulling of trip-wire.
- **Push/pull operation** ... operates if trip-wire is pulled or goes slack.
- **Integrated emergency-stop button (optional)** ... assures complete emergency stop.
- **Watertight design** ... meets up to IP67 environmental requirements.
- **Continuous E-stop protection** ... for supported spans up to 165 feet (50m).
- **Visual position indicator** ... for ease of installation.
- **Up to four contacts in a compact housing** ... available in five contact configurations.
- **Meets rigid safety standards** ... EN 418, cUL & TUV
- **Mounting accessories** ... ease and extend installation.

### Description

The ZQ900 is designed to provide continuous emergency stop control along exposed areas of machinery and conveyors which present hazards to operator/maintenance personnel. Unlike E-Stop pushbuttons, emergency cable-pull systems can be actuated at any point along the “trip wire”.

The unit features a double-break contact block offering a choice of five contact variations which change state when the cable is pulled or goes slack. Thus the switch can be actuated if an operator falls into, is pulled into, or leans on the trip wire.

In addition the unit features an optional integrated E-Stop push-button, a position indicator for easier installation, a button reset, three cable entries, and an optional signaling lamp.

The unit is capable of spanning lengths of up to 50 meters. Its rugged, metal housing and watertight design (up to IP67) make it ideal in hostile environments.

### Operation

When the trip-wire is pulled, the positive-opening NC contact(s) are forced to open via a direct mechanical linkage with the actuating shaft ... resulting in machine stoppage.

If the trip-wire goes slack (e.g. breaks or is cut) the NC contact(s) opens ... also resulting in equipment stoppage.

The integral reset mechanism assures that the equipment cannot be restarted until the cable-pull switch reset has been actuated.

### Typical Applications

The ZQ900 is ideal for replacing multiple, discrete E-stop pushbuttons or achieving a continuous, immediately accessible emergency stop ... especially where space is limited. Typical applications include conveyor lines, textile machinery, packaging machinery, and transfer lines.

### AVAILABLE STANDARD MODELS

Part Number	Contacts
ZQ 900-11	1NO/1NC
ZQ 900-02	2NC
ZQ 900-13	1NO/3NC
ZQ 900-22	2NO/2NC
ZQ 900-04	4NC

Note: Add -N for integral E-stop button

### AVAILABLE ACCESSORIES

Part Number	Description
PL-M20-24V	24V Pilot light kit
PL-M20-120V	120V Pilot light kit
STQ441-SC	5mm diameter steel cable, PVC coated
STQ441-EB	M10 eye bolt & hex nut
STQ441-CC	Cable clamp
STQ441-TB	Turnbuckle
STQ441-TH	Thimble
STQ441-PU	Pulley assembly (for “cable cornering”)
<b>New!</b> S900	Cable-Pull Switch Wire tensioner

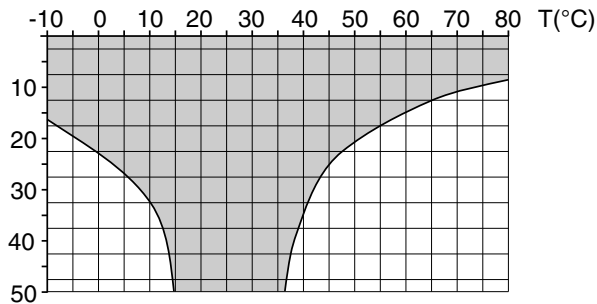
# ZQ900 TECHNICAL DATA

## MECHANICAL SPECIFICATIONS

<b>Housing</b>	Die-cast zinc, enamel finish
<b>Cover</b>	Fiberglass reinforced thermoplastic cover
<b>Degree of Protection</b>	IP67; -N version IP65
<b>Maximum Supported Span</b>	165 feet (50m)
<b>Operating Temperature</b>	-13°F to +158°F (-25°C to +70°C)
<b>Mechanical Life</b>	1 million operations
<b>Conformity to Standards</b>	CE EN 418 TUV cUL

## ELECTRICAL SPECIFICATIONS

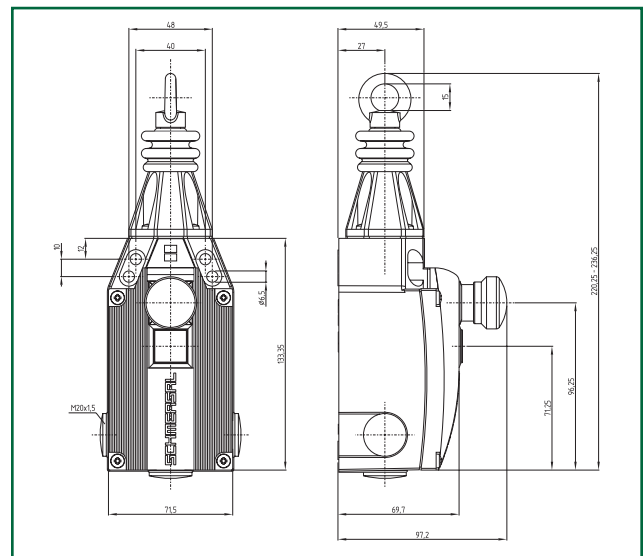
<b>Contacts</b>	Fine silver
<b>Contact Configuration</b>	Double-pole, double-break with electrically-separated contact bridges
<b>Contact Rating</b>	4A/230VAC 1A/24VDC
<b>Switching Action</b>	Snap-action, positive-break NC contacts with wire pull
<b>Short Circuit Protection</b>	6A (Slow blow)
<b>Rated Insulation Voltage</b>	500VAC
<b>Type Terminals</b>	Screw terminals with self-lifting clamps for up to 13 AWG flexible stranded wire (2.5mm <sup>2</sup> )



l (m) Cable length vs. temperature range

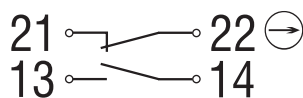
At 5 m distance, intermediate wire supports are required, see accessories.

## DIMENSIONS

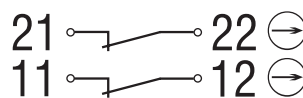


## SWITCHING DIAGRAMS & CONTACT SCHEMATICS

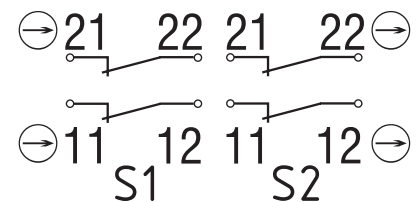
ZQ900-11



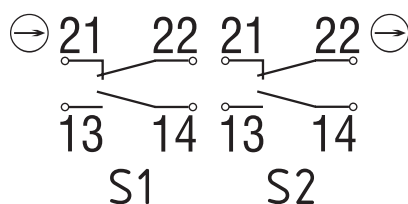
ZQ900-02



ZQ900-04



ZQ900-22



ZQ900-13

