



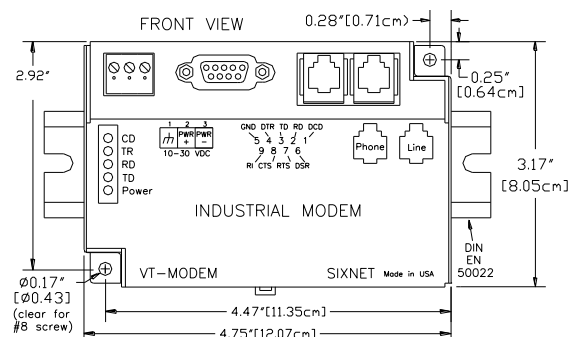
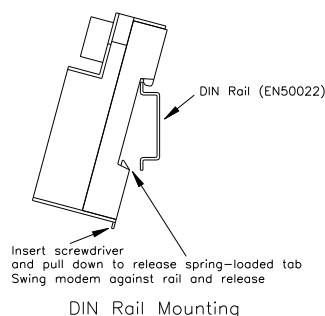
VT-MODEM

Installation & Operating Instructions (Quick Start Guide)

	All power, input and output (I/O) wiring must be in accordance with Class I, Division 2 wiring methods and in accordance with the authority having jurisdiction.
WARNING – EXPLOSION HAZARD – SUBSTITUTION OF COMPONENTS MAY IMPAIR SUITABILITY FOR CLASS I, DIVISION 2.	
WARNING – EXPLOSION HAZARD – WHEN IN HAZARDOUS LOCATIONS, DISCONNECT POWER BEFORE REPLACING OR WIRING UNITS.	
WARNING – EXPLOSION HAZARD – DO NOT DISCONNECT EQUIPMENT UNLESS POWER HAS BEEN SWITCHED OFF OR THE AREA IS KNOWN TO BE NONHAZARDOUS.	
WARNING – EXPLOSION HAZARD – IN HAZARDOUS OR POTENTIALLY HAZARDOUS LOCATIONS, DO NOT SEPARATE ANY PART OF THE UNIT WHEN ENERGIZED. USE THE UNIT FOR INTERNAL CONNECTIONS ONLY. Power supply “RM-PS-024-01F” and “ST-PS-024-02” to be used only with Sixnet’s recognized controllers or equivalent	

	Tout pouvoir, le câblage d’entrée et de sortie (I/O) doivent être conformes aux méthodes de câblage de Classe I, Division 2 et conformément à l’autorité compétente.
AVERTISSEMENT – RISQUE D’EXPLOSION – LA SUBSTITUTION DE TOUT COMPOSANT PEUT NUIRE À LA CONFORMITÉ DE CLASSE I, DIVISION 2.	
AVERTISSEMENT – RISQUE D’EXPLOSION – LORSQUE DANS DES ENDROITS DANGEREUX, DÉBRANCHEZ LE CORDON D’ALIMENTATION AVANT DE REMPLACER OU DE BRANCHER LES MODULES.	
AVERTISSEMENT – RISQUE D’AVERTISSEMENT – NE DÉBRANCHEZ PAS L’ÉQUIPEMENT PENDANT QUE LE CIRCUIT EST DIRECT OU À MOINS QUE L’ENVIRONNEMENT SOIT CONNU POUR ÊTRE LIBRE DE CONCENTRATIONS INFLAMMABLES.	
AVERTISSEMENT – RISQUE D’EXPLOSION – DANS LES ENDROITS DANGEREUX OU POTENTIELLEMENT DANGEREUX, NE PAS SEPARER UNE PARTIE DE L’UNITE SOUS TENSION. SEULEMENT UTILISEZ L’APPAREIL POUR LES CONNEXIONS INTERNES Alimentation “RM-PS-024-01F” et “ST-PS-024-02” doit être utilisé uniquement avec les contrôleurs reconnus par Sixnet ou leurs équivalents.	

1. Carefully remove the modem and modem serial cable from the shipping container and inspect for damage. Contact Red Lion immediately if any damage is discovered.
2. For DIN rail mounting, hook the top, rear of the modem onto the top edge of the DIN rail. Using a small flat head screwdriver, pull down on the spring-loaded tab on the bottom of the modem and push the modem back against the rail. Reverse these steps to remove the modem.
3. The modem can also be mounted to a flat panel using the mounting holes and #6 or #8 screws. The mounting hole orientation and dimensions are shown in the front view figure below. The modem can be installed in any orientation, directly adjacent to other DIN rail components or in any convenient location within the enclosure. The modem should be installed within 6 feet of the device it will be connected to.



4. The modem has three screw terminals (#1-3) used connect power. The function of each screw is indicated on the front label. The absolute min and max voltages are also indicated.

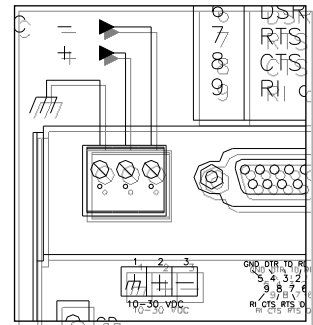
To meet the UL requirements you must do one of the following:

- A. Install a 3.33 Amp maximum fuse at the input of the modem
- B. Install a Class 2 power source to power the modem.

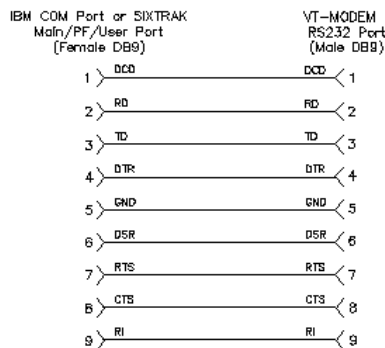
Note: The maximum screw torque is 5 in/lb (0.57 Nm). Do not over tighten.

Connect power to the modem as follows:

- A. Turn off your source power.
- B. Make sure the area is currently nonhazardous (Class I, Div 2 or Zone 2 locations).
- C. Connect a ground wire between the chassis ground screw and your panel.
- D. Connect your positive input wire to the “+” position.
- E. Connect your minus or return wire(s) to the “-” position.
- F. G. Turn on your source power and verify that the power LED is on.



5. Use a straight-thru RS232 cable between the modem and computer. You may use the straight-thru cable provided or another with wiring shown below.



6. Connect the telephone line to the “line” or “phone” ports.
7. Configuring the modem may be done through the serial port using Windows HyperTerminal or the Sixnet “VT-MODEM Set-up Wizard” found on the CD that comes with the modem. See below for more information on using the “VT-MODEM Set-up Wizard”
 - A. In the first screen select the modem connected to the computer.
 - B. Select the serial port on the computer the modem is connected to.
 - C. Click the red “Detect” bar on the top of the screen to detect the modem.

For support call 1-877-432-9908 or email support@redlion.net.