

INDUSTRIAL 24 VDC POWER SUPPLIES

These Sixnet industrial power supplies are designed to meet or exceed the requirements of the industrial devices they power. They are ideal for any industrial application where consistent performance and long term reliability are a must.

PRODUCT HIGHLIGHTS

- AC input up to 264 VAC at 50/60 Hz
- DC input up to 370 VDC
- 24 VDC output up to 120 Watts (5 Amps)
- Fully protected from short circuit, over-load, over-voltage and over-temperature conditions
- DIN rail mounting standard
- Wide operating temperature range
- Certified to perform

SEVERAL MODELS TO CHOOSE FROM

- **RM-PS-024-01** (24 Watts)
 - Output: 24 VDC @ 1 Amp
 - 18 extra terminals for bussing power
 - Connect a second supply for redundancy
 - Universal AC input from 85 – 264 VAC
 - Ideal for small distributed I/O stations
 - Unique hot swappable power module
 - Both DIN rail and panel mounting
- **ET-PS-024-02** (48 Watts)
 - Output: 24 VDC @ 2 Amps
 - Compact size - ideal for small enclosures
 - Universal AC input from 85 - 264 VAC
 - Ideal to power an industrial switch or modem
- **ST-PS-024-05** (120 Watts)
 - Output: 24 VDC @ 5 Amps
 - Selectable AC input up to 264 VAC
 - Compact size - high power to size ratio
 - Ideal for medium size automation panels

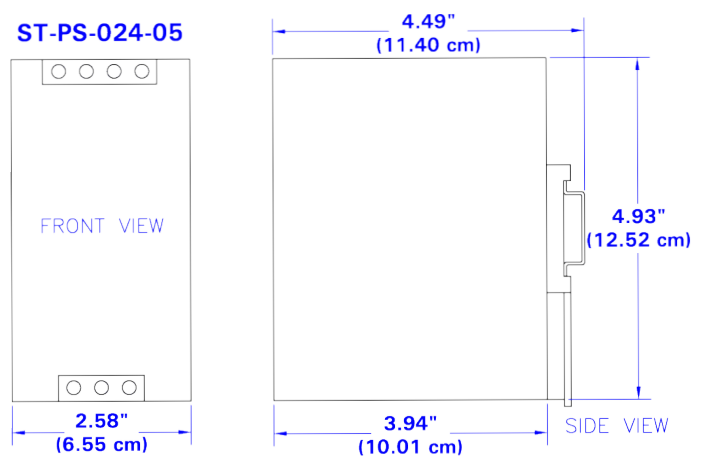
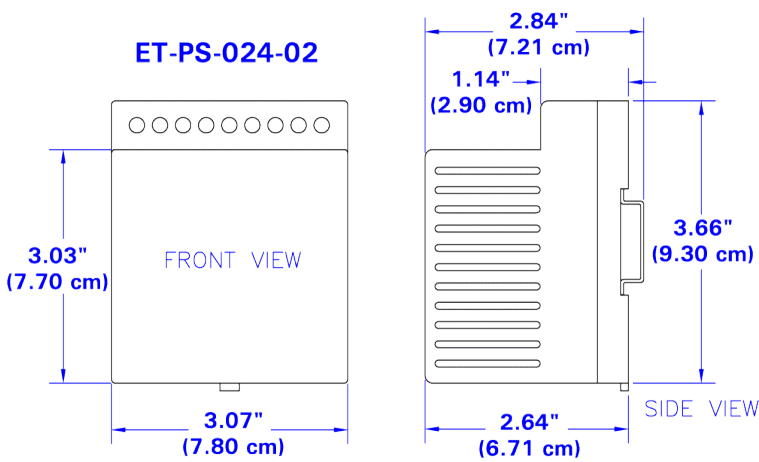
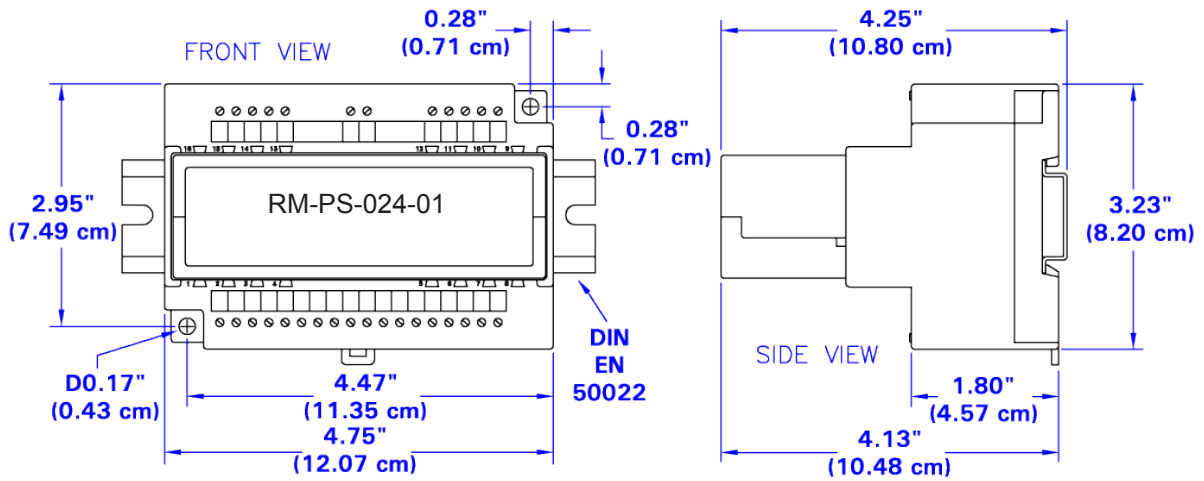


ORDERING GUIDE

| | |
|---------------|---|
| RM-PS-024-01F | AC to 24 VDC power supply; 24 Watts (1 Amp) |
| ET-PS-024-02 | AC to 24 VDC power supply; 48 Watts (2 Amps) |
| ST-PS-024-05 | AC to 24 VDC power supply; 120 Watts (5 Amps) |

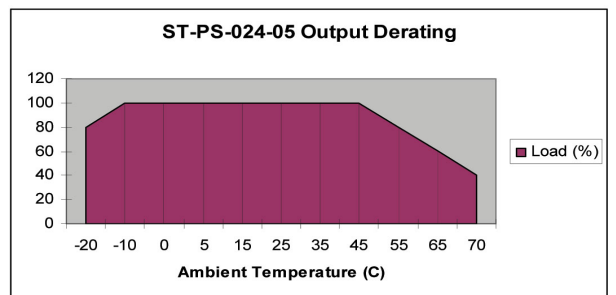
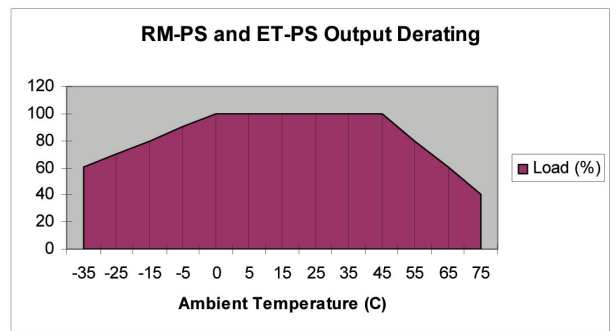
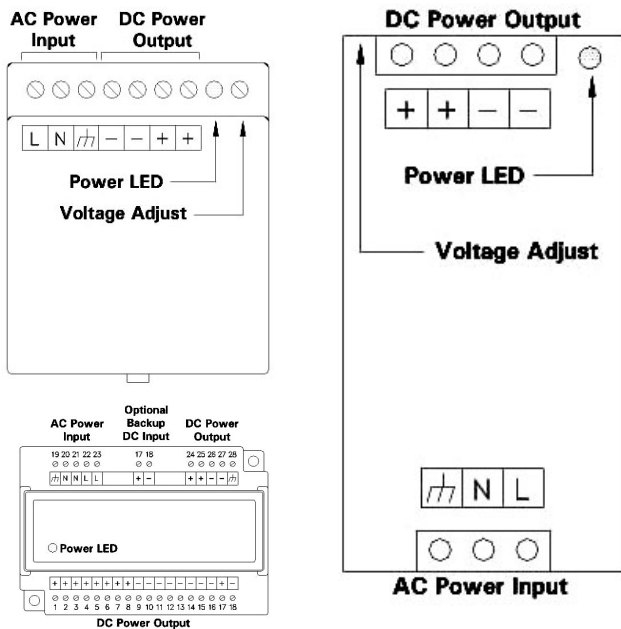
| MODEL | | RM-PS-024-01 | ET-PS-024-02 | ST-PS-024-05 |
|----------------------|----------------------|---|---|---|
| OUTPUT | DC Voltage | 24VDC | | |
| | Rated Current | 1 Amp | 2 Amps | 5 Amps |
| | Current Range | 0 - 1 Amps | 0 - 2 Amps | 0 - 5 Amps |
| | Rated Power | 24 Watts | 48 Watts | 120 Watts |
| | Ripple/Noise (max) | 240 mV p-p | 480 mV p-p | 80 mVp-p |
| | Voltage Adjust | - | 21.6 - 26.4 VDC | 24 - 28 VDC |
| | Voltage Tolerance | +/- 1% | +/- 1% | +/- 1% |
| | Line Regulation | +/- 0.2% | +/- 1% | +/- 0.5% |
| | Load Regulation | +/- 0.5% | +/- 1% | +/- 1% |
| | Setup & Rise Time | 200mS & 30mS | 800mS & 60mS | 500mS & 70mS |
| | Hold Time (typical) | 100mS @ 230 VAC | 100mS @ 230 VAC | 36mS @ 230 VAC |
| INPUT | AC Voltage Range | 85 - 264 VAC | | 88 - 132, 176-264 VAC |
| | DC Voltage Range | 120 - 370 VDC | | 248 - 370 VDC |
| | Frequency Range | 47 - 63 Hz | | |
| | Efficiency (typical) | 79% | 80% | 84% |
| | AC Current (typical) | 0.6 Amp @ 115 VAC, 0.4 Amp @ 230 VAC | 1.5 Amps @115 VAC, 0.75 Amp @ 230 VAC | 2.6 Amps @115 VAC, 1.6Amps @ 230VAC |
| | Inrush Current | Cold start 36 Amps | Cold start 28 Amps @ 115 VAC, 56 Amps @ 230 VAC | Cold start 20 Amps @ 115 VAC, 40 Amps @ 230 VAC |
| | Leakage Current | <0.5 mA @ 240 VAC | <1mA @ 240VAC | <3.5mA @ 240VAC |
| PROTECTION | Over-load | Above 105% rated output, w/automatic recovery | 105 - 150% rated output, current limiting w/automatic recovery | |
| | Over-voltage | 28 - 33 VDC shut down output, cycle power to recover | | |
| | Over-temp. | 135°C, shut down output w/automatic recovery | 90°C shut down w/automatic recovery | |
| ENVIRONMENTAL | Operation Temp. | -35 to +75°C (derate output 2% per °C above 45°C) | | -20 to 70°C (derate output 2% per °C above 45°C) |
| | Storage Temp. | -40 to +85°C | | |
| | Operation humidity | 20 to 90% RH non-condensing | | |
| | Storage humidity | 10 to 95% RH | | |
| | Temp. coefficient | +/-0.03% per °C | | |
| | Vibration | 10 - 500 Hz; 2G 10 min per cycle; 60m period each along X, Y, Z axes | | |
| STANDARDS | Safety | CUL (UL508 / CSA C22.2); TUV EN60950-1 | | |
| | Haz. Locations | CUL 1604 (CSA C22.2/213); Class I, Div.2; Groups A, B, C, D | | |
| | Withstand Volt. | Input to output: 3KVAC; Input to GND: 1.5KVAC; Output to GND: 0.5KVAC | | |
| | Isolation Resistance | 100M Ohms @ 500VDC | | |
| | EMI Emissions | EN55011, EN55022 (CISPR22) Class B | | |
| | EMC Immunity | EN61000-4-2, 3, 4, 5; light industry level, criteria A | EN61000-4-2, 3, 4, 5, 6, 8, 11; ENV5024; EN50024; EN61000-62 (50082-2); heavy industry level, criteria A | |
| | Harmonic Current | EN61000-3-2, EN61000-3-3 | | |
| MISCELLANEOUS | MTBF | 576,000 hours per MIL- HDBK-217 @ 25°C | 365,000 hrs per MIL- HDBK-217 @25°C | 137,000 hrs per MIL- HDBK-217 @25°C |
| | Packaging | IP30 | IP30 | IP20 |
| | Mounting | DIN rail or flat to panel | DIN rail | |
| | Weight | 0.5Kg (1.1lbs) | 0.31 Kg (0.6lbs) | 0.79Kg (1.7lbs) |
| | Dims | See mechanical drawings | | |

All specifications are subject to change. Consult factory for latest info.



POWER CONNECTIONS

OUTPUT DERATING



Sixnet Technology Park
 331 Ushers Road • Ballston Lake, NY 12019 • USA
 1.518.877.5173 • Fax 1.518.877.8346 • sales@sixnet.com

Datasheet xx-PS-024
 Rev April 15, 2009