

## M12 eurofast® Standard and Low Profile Junction Box Part Number Keys

**Note:** Part Number Keys are to assist in IDENTIFICATION ONLY. Consult Factory for catalog items not identified.

**VB** | **80.5** - **P7X17** - **5** / **S..**

### eurofast Junction Box

#### Housing Material

(Blank) = Nylon, Connectors on Top  
M = Metal, Connectors on Side

#### Number of Ports, Wiring

2x20 = 4 Ports, 1 Signal Per Port, Isolated Power Supply  
2x30 = 6 Ports, 1 Signal Per Port, Isolated Power Supply  
2x40 = 8 Ports, 1 Signal Per Port, Isolated Power Supply  
40N = 4 Port, NAMUR, 1 Signal Per Port, Common Positive  
40x1N = 4 Port, NAMUR, 1 Signal Per Port, Isolated Circuit  
40 = 4 Ports, 1 Signal Per Port  
40.5 = 4 Ports, 2 Signals Per Port  
40.5N = 4 Port, NAMUR, 2 Signals Per Port, Common Positive  
4x1.5N = 4 Port, NAMUR, 2 Signals Per Port, Isolated Circuit  
60 = 6 Ports, 1 Signal Per Port  
60.5 = 6 Ports, 2 Signals Per Port  
80 = 8 Ports, 1 Signal Per Port  
80.5 = 8 Ports, 2 Signals Per Port

#### Varieties

/S90 = PUR Jacket  
/S .. = Consult Factory, Customer Special  
/CS .. = Consult Factory, Customer Special

#### Connection Type

\* = Length of Integral Home Run Cable in Meters  
CS y = **multifast** Connectors, y = Number of Pins  
B1161 = **minifast** Connector, 6-pin  
H1151 = **eurofast** Connector, 5-pin

#### LED Options

(Blank) = No LEDs  
P7Xn = PNP LEDs, n = Number of LEDs  
N7Xn = NPN LEDs, n = Number of LEDs

**8** | **MB** | **12** - **5** | **P** | **3** - **K** - **FK**

#### Number of Ports

4 = 4-ports  
8 = 8-ports

#### multibox

#### Housing Material

(Blank) = Nickel Plated Brass  
V = 316 Stainless Steel

#### Port Connector Type

M12 = miniature **eurofast** 12 = **eurofast**  
12Z = **eurofast** - low profile

#### Port Pin Count

4 = 4 pin  
5 = 5 pin

#### LED Type

(Blank) = no LED  
P = PNP LED  
N = NPN LED

#### Connection Type

CS 12 = 12 pin M23 male receptacle  
CS 19 = 19 pin M23 male receptacle  
CSV 12 = 12 pin M23 male stainless steel receptacle  
CSV 19 = 19 pin M23 male stainless steel receptacle  
\* = Cable length  
\*-CSM12 = Molded 12 pin M23 male/female  
\*-CSSM12 = Molded 12 pin M23 male/male  
\*-CSM19 = Molded 19 pin M23 male/female  
\*-CSSM19 = Molded 19 pin M23 male/male  
RSF 120 = 12 pin **minifast** male, receptacle  
RSF 190 = 19 pin **minifast** male, receptacle  
\*-RSM 120 = Molded 12 pin **minifast** male  
FK = Terminal chamber w/spring clamp  
SK = Terminal chamber w/screw clamp  
\_H = Side exit connector

#### Body Material (terminal chamber only)

(Blank) = Nylon  
K = Plastic  
MS = Metal, Shielded

#### Number of LEDs

1 = power LED only  
2 = 1 signal LED per port, 1 power LED  
3 = 2 signal LEDs per port, 1 power LED  
4 = 2 signal LEDs per port, 2 power LEDs

## M8 picofast® Junction Box Part Number Key

**VB** | **1003** - **PX10** - **BS1614**

### picofast Junction Box

#### Number of Ports

403 = 4-port, 1 signal per port  
404 = 4-port, 2 signals per port  
803 = 8-port, 1 signal per port  
804 = 8-port, 2 signals per port  
1003 = 10-port, 1 signal per port

#### Locking Method

(Blank) = No Locking Sleeve  
Z = Locking Sleeve (Snap lock)  
M = M8x1 Threaded Coupling Nut

#### Connection Type

\*C = Length of Integral Home Run Cable in Meters  
BS14 = M16 Threads, 14-pins  
BS19 = M16 Threads, 19-pins  
BS1614 = M16 Threads

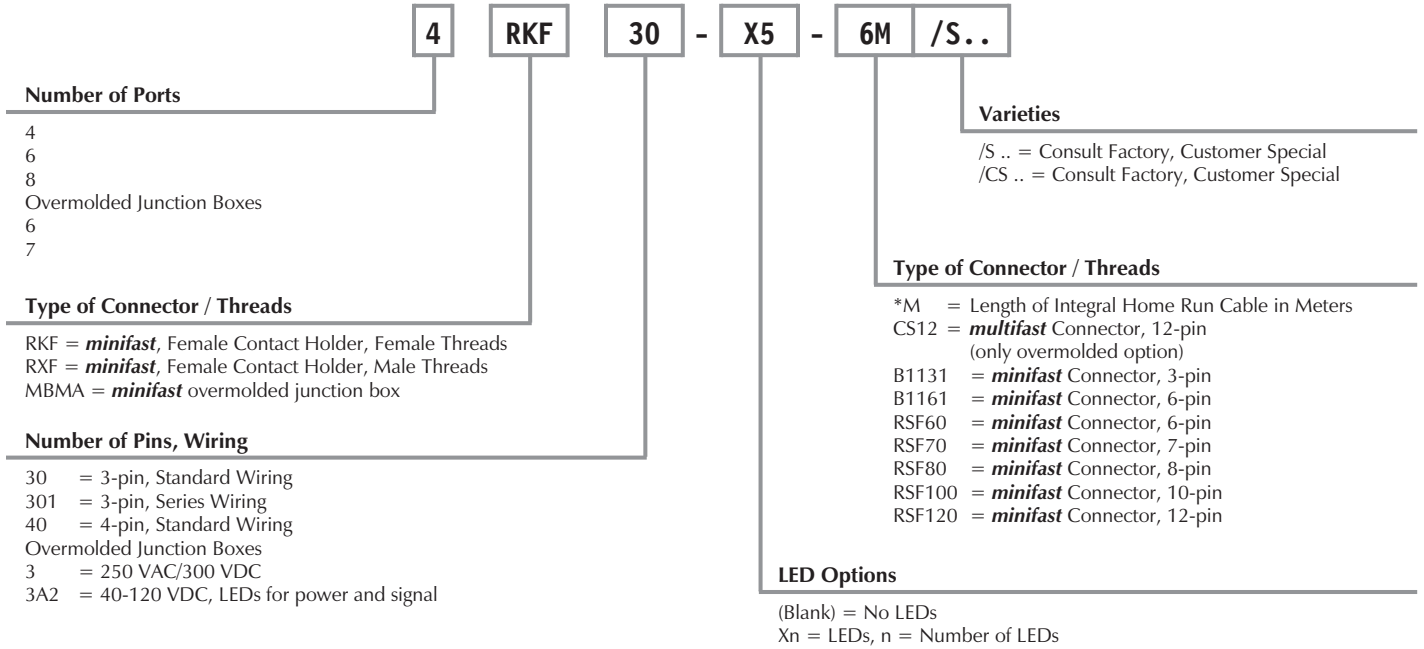
#### LED Options

(Blank) = No LEDs  
PXn = PNP LEDs, n = Number of LEDs

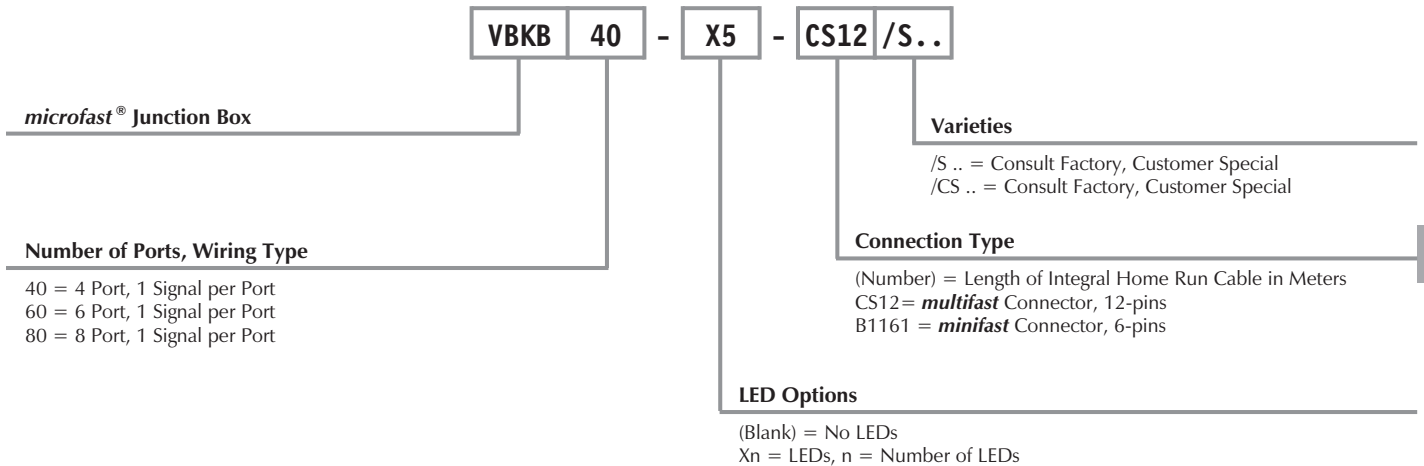
## 7/8-16 UN *minifast*® Junction Box Part Number Key

**Note:**

Part Number Keys are to assist in IDENTIFICATION ONLY. Consult Factory for catalog items not identified.



## 1/2" *microfast*® Junction Box Part Number Key



Multibox