

M12 eurofast® Standard and Low Profile Junction Box Part Number Keys

Note: Part Number Keys are to assist in IDENTIFICATION ONLY. Consult Factory for catalog items not identified.



eurofast Junction Box

Housing Material

(Blank) = Nylon, Connectors on Top
M = Metal, Connectors on Side

Number of Ports, Wiring

2x20 = 4 Ports, 1 Signal Per Port, Isolated Power Supply
2x30 = 6 Ports, 1 Signal Per Port, Isolated Power Supply
2x40 = 8 Ports, 1 Signal Per Port, Isolated Power Supply
40N = 4 Port, NAMUR, 1 Signal Per Port, Common Positive
40x1N = 4 Port, NAMUR, 1 Signal Per Port, Isolated Circuit
40 = 4 Ports, 1 Signal Per Port
40.5 = 4 Ports, 2 Signals Per Port
40.5N = 4 Port, NAMUR, 2 Signals Per Port, Common Positive
4x1.5N = 4 Port, NAMUR, 2 Signals Per Port, Isolated Circuit
60 = 6 Ports, 1 Signal Per Port
60.5 = 6 Ports, 2 Signals Per Port
80 = 8 Ports, 1 Signal Per Port
80.5 = 8 Ports, 2 Signals Per Port

Varieties

/S90 = PUR Jacket
/S .. = Consult Factory, Customer Special
/CS .. = Consult Factory, Customer Special

Connection Type

* = Length of Integral Home Run Cable in Meters
CS y = **multifast** Connectors, y = Number of Pins
B1161 = **minifast** Connector, 6-pin
H1151 = **eurofast** Connector, 5-pin

LED Options

(Blank) = No LEDs
P7Xn = PNP LEDs, n = Number of LEDs
N7Xn = NPN LEDs, n = Number of LEDs



Number of Ports

4 = 4-ports
8 = 8-ports

multibox

Housing Material

(Blank) = Nickel Plated Brass
V = 316 Stainless Steel

Port Connector Type

M12 = miniature **eurofast** 12 = **eurofast**
12Z = **eurofast** - low profile

Port Pin Count

4 = 4 pin
5 = 5 pin

LED Type

(Blank) = no LED
P = PNP LED
N = NPN LED

Connection Type

CS 12 = 12 pin M23 male receptacle
CS 19 = 19 pin M23 male receptacle
CSV 12 = 12 pin M23 male stainless steel receptacle
CSV 19 = 19 pin M23 male stainless steel receptacle
* = Cable length
*-CSM12 = Molded 12 pin M23 male/female
*-CSSM12 = Molded 12 pin M23 male/male
*-CSM19 = Molded 19 pin M23 male/female
*-CSSM19 = Molded 19 pin M23 male/male
RSF 120 = 12 pin **minifast** male, receptacle
RSF 190 = 19 pin **minifast** male, receptacle
*-RSM 120 = Molded 12 pin minifast male
FK = Terminal chamber w/spring clamp
SK = Terminal chamber w/screw clamp
_H = Side exit connector

Body Material (terminal chamber only)

(Blank) = Nylon
K = Plastic
MS = Metal, Shielded

Number of LEDs

1 = power LED only
2 = 1 signal LED per port, 1 power LED
3 = 2 signal LEDs per port, 1 power LED
4 = 2 signal LEDs per port, 2 power LEDs

M8 picofast® Junction Box Part Number Key



picofast Junction Box

Number of Ports

403 = 4-port, 1 signal per port
404 = 4-port, 2 signals per port
803 = 8-port, 1 signal per port
804 = 8-port, 2 signals per port
1003 = 10-port, 1 signal per port

Locking Method

(Blank) = No Locking Sleeve
Z = Locking Sleeve (Snap lock)
M = M8x1 Threaded Coupling Nut

Connection Type

*C = Length of Integral Home Run Cable in Meters
BS14 = M16 Threads, 14-pins
BS19 = M16 Threads, 19-pins
BS1614 = M16 Threads

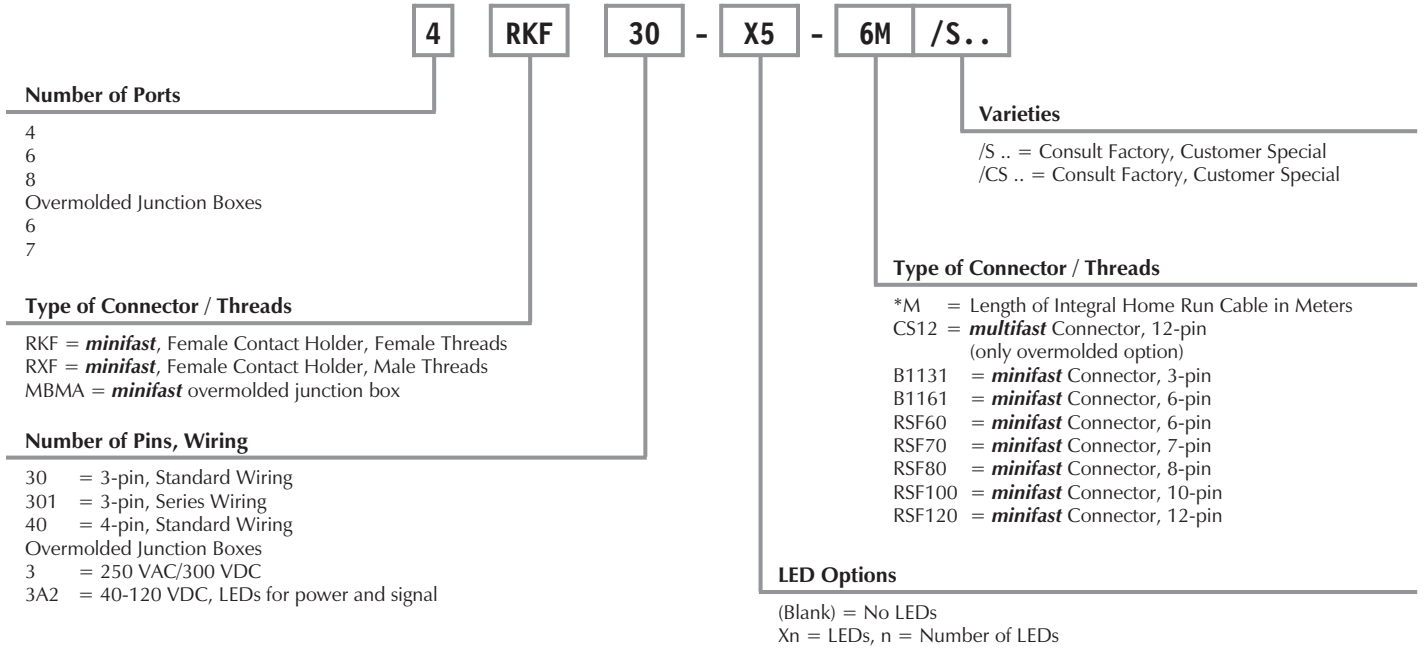
LED Options

(Blank) = No LEDs
PXn = PNP LEDs, n = Number of LEDs

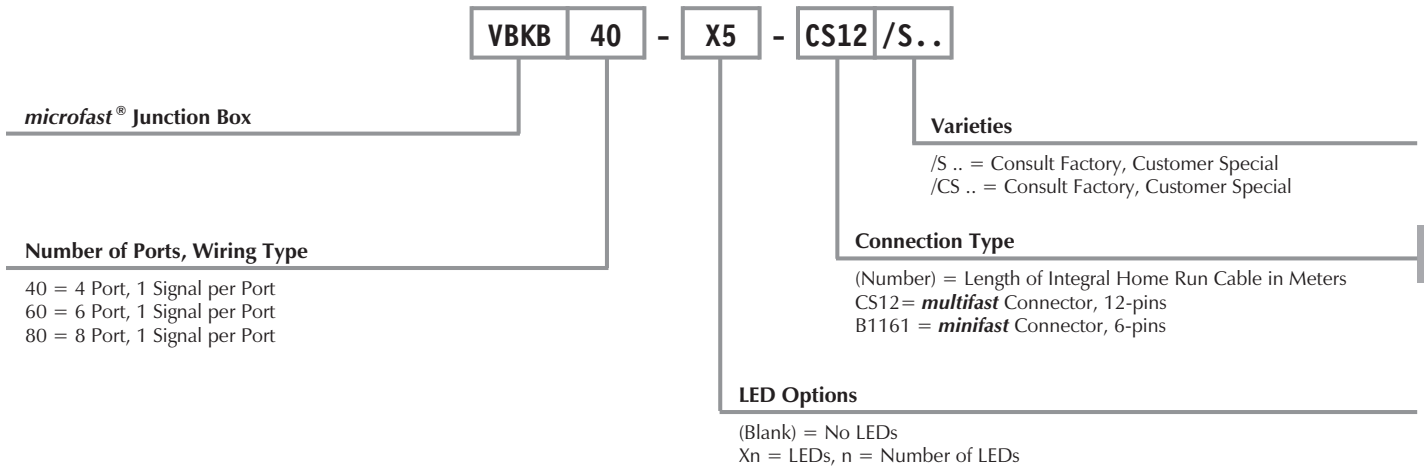
7/8-16 UN *minifast*® Junction Box Part Number Key

Note:

Part Number Keys are to assist in IDENTIFICATION ONLY. Consult Factory for catalog items not identified.



1/2" *microfast*® Junction Box Part Number Key



Multibox