



### multibox® eurofast® Low Profile, 4-port Junction Box

- 1 or 2 Signals Per Port
- Rugged Plastic Housing with Flush Connectors
- Available with LEDs
- Quick Disconnect or Integral Home Run Cable
- Available with Nickel-Plated Brass or Stainless Steel Threaded Connections



#### 4-port, 1 Signal Per Port, 10-48 VDC

| Application   | Specifications   | Pinout                                 |  |   |  | PNP LED          | NPN LED          |
|---|--|--|--|---|--|------------------|------------------|
| 4-port J-box<br>1 signal per port<br>Integral cable             | 4 A/port, 9 A total<br>Yellow PVC cable**<br>7/18 AWG<br>foil shield and 20 AWG drain<br>CSA Certified<br>**with PUR cable, add /S90 | <u>Function</u><br>+V<br>- V<br>Ground | <u>Color</u><br>Bn<br>Bu<br>Gn / Ye                      | <u>Function</u><br>Port 1<br>Port 2<br>Port 3<br>Port 4 | <u>Color</u><br>Wh<br>Gn<br>Ye<br>Gy                       | 4MB12-4P2-*      | 4MB12-4N2-*      |
| 4-port J-box<br>1 signal per port<br><b>multifast</b> connector | 4 A/port, 8 A total<br>12-pin <b>multifast</b> connector<br>7 conductors<br>Mates with CKCM 12-7-*<br>CSA Certified                  | <u>Function</u><br>+V<br>- V<br>Ground | <u>Pin / Color</u><br>11 / Bn<br>10 / Bu<br>12 / Gn / Ye | <u>Function</u><br>Port 1<br>Port 2<br>Port 3<br>Port 4 | <u>Pin / Color</u><br>1 / Wh<br>2 / Gn<br>3 / Ye<br>4 / Gy | 4MB12-4P2-CS12   | 4MB12-4N2-CS12   |
| 4-port J-box<br>1 signal per port<br><b>minifast</b> connector  | 4 A/port, 8 A total<br>12-pin <b>minifast</b> connector<br>7 conductors<br>Mates with RKM 126-*M<br>CSA Certified                    | <u>Function</u><br>+V<br>- V<br>Ground | <u>Pin / Color</u><br>10 / Bn<br>11 / Bu<br>9 / Gn / Ye  | <u>Function</u><br>Port 1<br>Port 2<br>Port 3<br>Port 4 | <u>Pin / Color</u><br>1 / Wh<br>2 / Gn<br>3 / Ye<br>4 / Gy | 4MB12-4P2-RSF120 | 4MB12-4N2-RSF120 |

**Note:** Stainless Steel option; add "V" to description (i.e. 4MBV12-4P2-\* or 4MBV12-4P2-CSV12)

#### 4-port, 2 Signals Per Port, 10-48 VDC

| Application  | Specifications   | Pinout   |   |   |   | PNP LED          | NPN LED          |
|--|--|--|---|---|---|------------------|------------------|
| 4-port J-box<br>2 signals per port<br>Integral cable             | 4 A/port, 9 A total<br>Yellow PVC cable**<br>3/18 AWG, 8/22 AWG<br>foil shield and 20 AWG drain<br>CSA Certified<br>**with PUR cable, add /S90 | <u>Function</u><br>+V<br>- V<br>Ground<br>Port 1, Sig 1<br>Port 1, Sig 2 | <u>Color</u><br>Bn<br>Bu<br>Gn/Ye<br>Wh<br>Gy / Pk                                | <u>Function</u><br>Port 2, Sig 1<br>Port 2, Sig 2<br>Port 3, Sig 1<br>Port 3, Sig 2<br>Port 4, Sig 1<br>Port 4, Sig 2 | <u>Color</u><br>Gn<br>Rd / Bu<br>Ye<br>Wh / Gn<br>Gy<br>Bn / Gn                                 | 4MB12-5P3-*      | 4MB12-5N3-*      |
| 4-port J-box<br>2 signals per port<br><b>multifast</b> connector | 4 A/port, 8 A total<br>19-pin <b>multifast</b> connector<br>11 conductors<br>Mates with CKM 19-11-*<br>CSA Certified                           | <u>Function</u><br>+V<br>- V<br>Ground<br>Port 1, Sig 1<br>Port 1, Sig 2 | <u>Pin / Color</u><br>19 / Bn<br>6 / Bu<br>12 / Gn/Ye<br>15 / Wh<br>7 / Gy/Pk     | <u>Function</u><br>Port 2, Sig 1<br>Port 2, Sig 2<br>Port 3, Sig 1<br>Port 3, Sig 2<br>Port 4, Sig 1<br>Port 4, Sig 2 | <u>Pin / Color</u><br>5 / Gn<br>4 / Rd / Bu<br>16 / Ye<br>8 / Wh / Gn<br>3 / Gy<br>14 / Bn / Gn | 4MB12-5P3-CS19   | 4MB12-5N3-CS19   |
| 4-port J-box<br>2 signals per port<br><b>minifast</b> connector  | 4 A/port, 8 A total<br>19-pin <b>minifast</b> connector<br>11 conductors<br>Mates with RKM 190-*M<br>CSA Certified                             | <u>Function</u><br>+V<br>- V<br>Ground<br>Port 1, Sig 1<br>Port 1, Sig 2 | <u>Pin / Color</u><br>7 / Bn<br>5 / Bu<br>12 / Gn / Ye<br>15 / Wh<br>19 / Gy / Pk | <u>Function</u><br>Port 2, Sig 1<br>Port 2, Sig 2<br>Port 3, Sig 1<br>Port 3, Sig 2<br>Port 4, Sig 1<br>Port 4, Sig 2 | <u>Pin / Color</u><br>6 / Gn<br>4 / Rd / Bu<br>16 / Ye<br>8 / Wh / Gn<br>3 / Gy<br>14 / Bn / Gn | 4MB12-5P3-RSF190 | 4MB12-5N3-RSF190 |

\* Length in meters

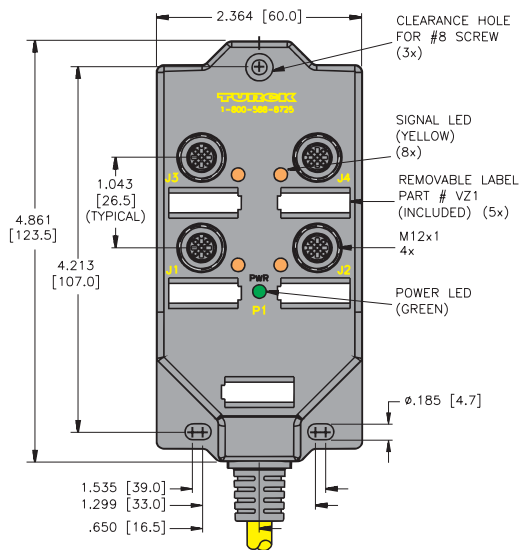
**Note:** Stainless Steel option; add "V" to description (i.e. 4MBV12-4P2-\* or 4MBV12-4P2-CSV12)

## Specifications

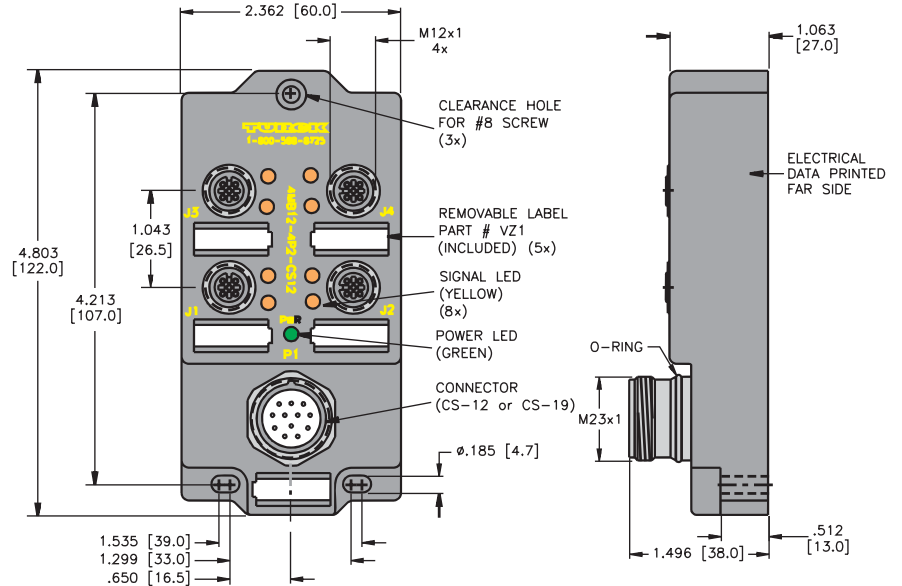
|                              |  |
|------------------------------|--|
| <b>Housing:</b>              | Nylon.   |
| <b>Connectors:</b>           | <b>eurofast®:</b> Nylon or PUR, spacings to VDE 0110 Group C.                              |
| <b>Contacts:</b>             | Gold plated brass.   |
| <b>Thread Inserts:</b>       | Nickel plated brass.   |
| <b>Cable:</b>                | See table.   |
| <b>LED Current:</b>          | 10 mA maximum at 48 VDC supply voltage (per LED).  |
| <b>Temperature:</b>          | -30°C to +80°C (-22°F to +176°F)   |
| <b>Protection:</b>           | NEMA 1, 3, 4, 6P and IEC IP 67.  |
| <b>Accessories:</b>          | (2) VZ 3 closure caps and a VZ 1 label kit (8 labels) included.                            |
| <b>Cable Length:</b>         | Standard length is nominal 5 meters. Other lengths available by request - Consult factory. |
| <b>Recommended Splitter:</b> | YB2-FSM 4.5/2 FKM 4.5, see page 76.  |

## Dimensions

### 4-port Integral Cable

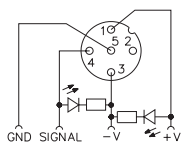


### 4-port Quick Disconnect

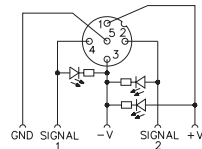


## Functional Wiring Diagrams

(PNP LED Version)  
1 Signal Per Port



(PNP LED Version)  
2 Signals Per Port



## Pinout

| Female                | Female                | Male                    | Male                    | Male                   | Male                   |
|-----------------------|-----------------------|-------------------------|-------------------------|------------------------|------------------------|
|                       |                       |                         |                         |                        |                        |
| <b>4-pin eurofast</b> | <b>5-pin eurofast</b> | <b>12-pin multifast</b> | <b>19-pin multifast</b> | <b>12-pin minifast</b> | <b>19-pin minifast</b> |