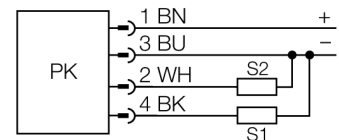


Pressure sensor
2 PNP transistor switching outputs
PK010R-N12AL-2UP8X-V1141

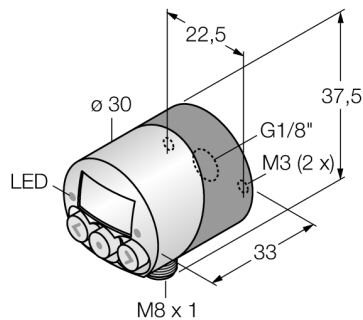
- Compact design
- Pressure and vacuum monitoring
- Display rotatable by 180°
- Excellent EMC properties
- Pressure range 0 ... 10 bar rel.

Wiring diagram



Functional principle

The pressure sensors of the PK series operate with piezo-resistive measuring cells made of silicon. The silicon diaphragm is unbalanced in proportion to the pressure applied. A similarly proportional voltage is produced, amplified and made available at the switching output. Intended only for use in non-aggressive gas and compressed air applications.



Type	PK010R-N12AL-2UP8X-V1141
Ident-No.	6833010
Relative pressure	0...10bar rel.
Admissible overpressure	≤ 16 bar
Operating voltage	10.8...30VDC
Protection type and class	IP65
Output 1	switching output
Output 2	switching output
Output function	NO/NC , PNP
Switching point accuracy	± 1 % of full scale
Repeatability	± 0.2 % of full scale
Rated operational current	0.35 A
Switching frequency	≤ 400 Hz
Switching point distance	≥ 0.2 %
Switch point:	0...100%
Temperature behaviour	±0.020;
Temperature coefficient zero point T ₀	± 0.15 % of full scale / 10 K
Temperature coefficient span T _s	± 0.15 % of full scale / 10 K
Ambient conditions	
Medium temperature	0...50 °C
Ambient temperature	-20...+85 °C
Storage temperature	-20...+85°C
Vibration resistance	10...55 Hz 1.5mm, 2h
Shock resistance	10 g (11 ms) , according to IEC 61508
Housing	
Housing material	aluminium, ABS
Mechanical connection	G1/8 female thread
Connection	connector, M8 x 1
Display	
Display	3-digit 7-segment display, rotatable by 180°
Switching state	2 x LEDs red / green
Programming options	Switch/release point, hysteresis/window mode, NO/NC, muting, peak pressure memory
Unit display	LEDs for display of output status report
EMC	
	Emitted interference acc. to EN 61000-6-3
	Interference immunity acc. to EN 61000-6-4