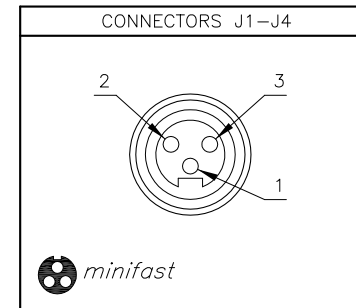
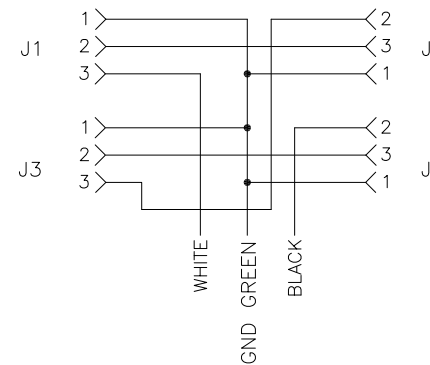


* METERS
SEE NOTE 1

CABLE LENGTH	TOLERANCE
ALL LENGTHS	+ 4% (OR 50mm) OF LENGTH - 0% (OR 0mm) OF LENGTH WHICHEVER IS GREATER
STRIP LENGTH	TOLERANCE
0-7mm	±0.5mm
8-29mm	±1.0mm
30-49mm	±2.0mm
50-69mm	±3.0mm
70-100mm	±4.0mm
OVER 100mm	±5.0mm

SPECIFICATIONS

CABLE JACKET/COLOR	PVC/YELLOW
NUMBER OF CONDUCTORS [AWG]	3x16 AWG
HOUSING MATERIAL	ALUMINUM ALLOY
HOUSING FINISH/COLOR	EPOXY/BLACK
CONTACT CARRIERS	TPU
CONTACTS	GOLD PLATED, SPRING BUSHING
DISCONNECTS	NICKEL PLATED BRASS
OPERATING VOLTAGE	250 VAC, 300 VDC
OPERATING CURRENT	4.0 AMPS/PORT, 4 AMPS TOTAL
PROTECTION CLASS to DIN 40050	IP 67 - ONLY WHEN ALL RECEPTACLES ARE COVERED WITH PLUGS OR CONNECTED
OPERATING TEMPERATURE	-40°C to +80°C (-40°F to +176°F)



FUNCTION	OUTPUT WIRE COLOR
COMMON (L1)	WHITE
GROUND	GREEN
LOAD(L2)	BLACK

NOTES:

- "*" DESIGNATES CABLE LENGTH IN METERS. CONTACT TURCK TO ORDER SPECIFIC LENGTHS
- BOX HEIGHT IS 34.5 [1.36] NOMINAL.
- CLEARANCE HOLE FOR 1/4-20 MOUNTING SCREWS (NOT INCLUDED).

SOURCE DRAWING - FOR REFERENCE ONLY

RELATED DOCUMENTS	3RD ANGLE PROJECTION	THIS DRAWING IS PROPERTY OF TURCK INC. USE OF THIS DOCUMENT WITHOUT WRITTEN PERMISSION IS PROHIBITED.		3000 CAMPUS DRIVE MINNEAPOLIS, MN 55441 1-800-544-7769 (763) 553-7300 (763) 553-0708 fax turck.com	
1. 2. 3. 4.		DRFT	RJP	DATE	12/17/96
MATERIAL	ALL DIMENSIONS DISPLAYED ON THIS DRAWING ARE FOR REFERENCE ONLY	DSGN		SCALE	1=1.5
SEE SPECIFICATIONS		UNIT OF MEASUREMENT		DESCRIPTION	
FINISH	CONTACT TURCK FOR MORE INFORMATION	MILLIMETER [INCH]		4 RKF 301-*M	
SEE SPECIFICATIONS		DO NOT SCALE THIS DRAWING		IDENTIFICATION NO.	REV
				FILE: 777001281	D
				SHEET 1 OF 1	

D	DESCRIPTION	BY	DATE	ECO NO.
	DRAWING PROCESSED AS PART OF ECO 33971	CBM	04/06/11	33971
REV	DESCRIPTION	BY	DATE	ECO NO.