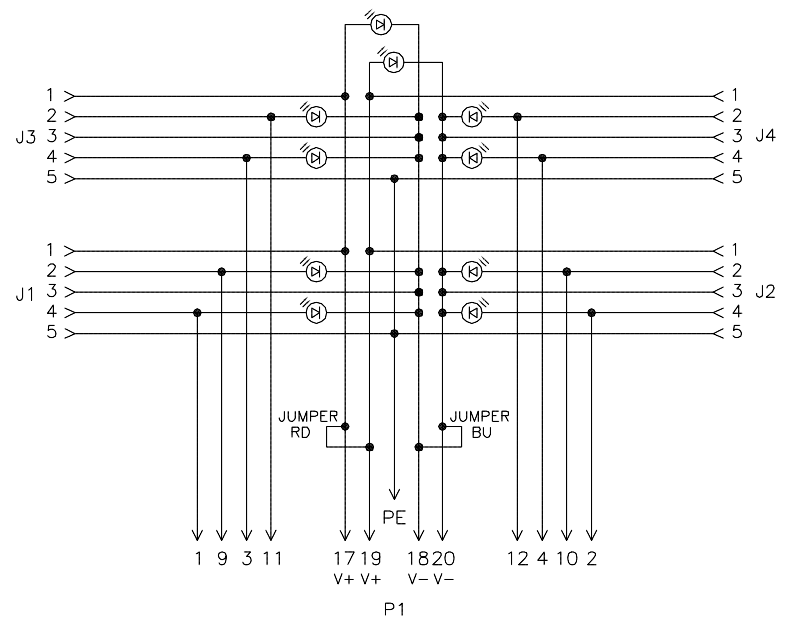
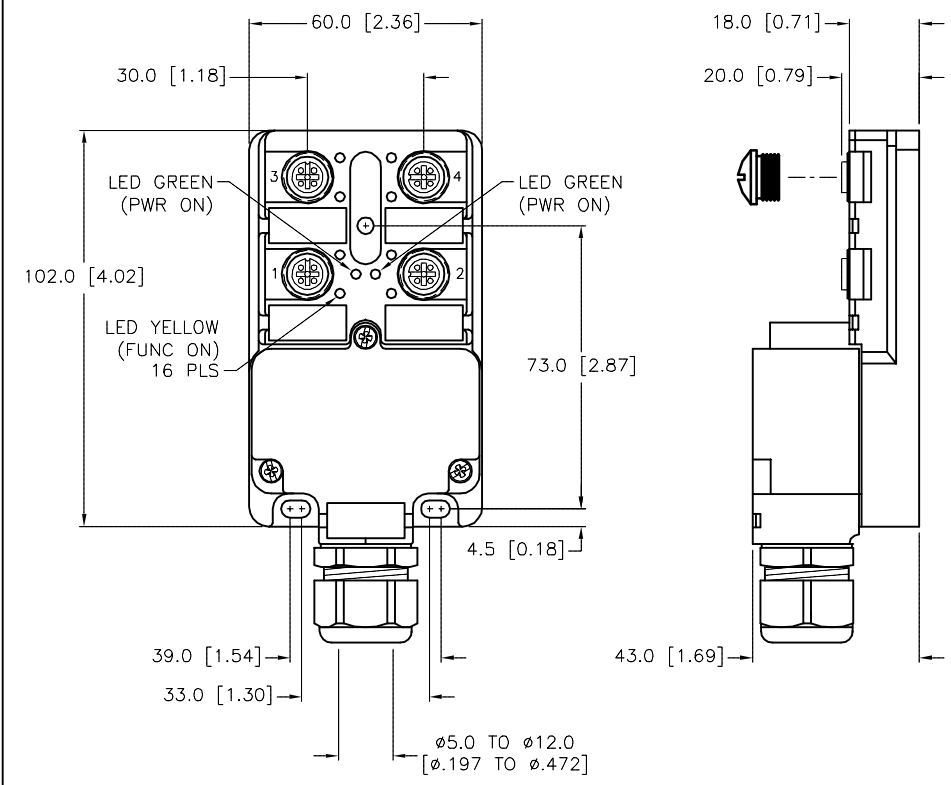


SPECIFICATIONS	
HOUSING MATERIAL/COLOR	PBT (UL 94 VO)/BLACK
RECEPTACLE THREADING MATL/PLATING	BRASS/NICKEL
CONTACT CARRIERS/COLOR	PBT/BLACK
CONTACTS MATERIAL/PLATING	BRASS/GOLD
SEALING, RECEPTACLE	VITON O-RING
SEALING, HOUSING	TPU FOAM
TERMINATION METHOD	SPRING-CLAMPING (FIELD WIRABLE)
MAX. WIRE SIZE [AWG]	16 AWG
OPERATING VOLTAGE [V]	10-30 V
OPERATING CURRENT [A]	2.0 A PER SIGNAL, 10.0 A TOTAL or 8.0 A PER SUPPLY
PROTECTION CLASS to DIN 40050	IP 68 - ONLY WHEN ALL RECEPTACLES ARE COVERED WITH PLUGS OR CONNECTED
OPERATING TEMPERATURE	-20°C to +90°C (-4°F to +194°F)



WIRING DIAGRAM
(FACTORY SETTING)

SOURCE DRAWING - FOR REFERENCE ONLY



CLOSURE CAPS
(2 INCLUDED)

RELATED DOCUMENTS 1. 2. 3. 4.	3RD ANGLE PROJECTION 	THIS DRAWING IS CONFIDENTIAL AND THE PROPERTY OF TURCK INC. USE OF THIS DOCUMENT WITHOUT WRITTEN PERMISSION IS PROHIBITED.	TURCK IAC <i>High Technology Sensors and Automation Controls</i>		3000 CAMPUS DRIVE MINNEAPOLIS, MN 55441 1-800-544-7769 (763) 553-7300 (763) 553-0708 fax turck.com
	MATERIAL SEE SPECIFICATIONS	ALL DIMENSIONS DISPLAYED ON THIS DRAWING ARE FOR REFERENCE ONLY	DRFT JBJ DATE 12/03/01	DESCRIPTION 4MB12-5P4-K-FK	
	FINISH SEE SPECIFICATIONS		APVD SCALE 1=2.0	IDENTIFICATION NO. U8018207	
	CONTACT TURCK FOR MORE INFORMATION		UNIT OF MEASUREMENT MILLIMETER [INCH]		REV D
D UPDATE OPERATING CURRENT RATINGS REV DESCRIPTION	KMY 10/11/13 43706 BY DATE ECO NO.	DO NOT SCALE THIS DRAWING		FILE: U8018207	SHEET 1 OF 1

D	UPDATE OPERATING CURRENT RATINGS	KMY	10/11/13	43706
REV	DESCRIPTION	BY	DATE	ECO NO.