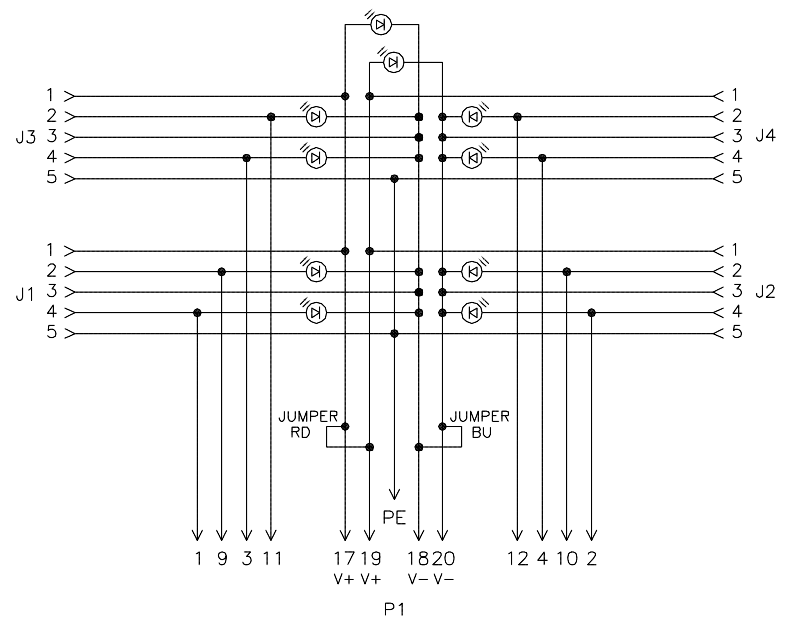
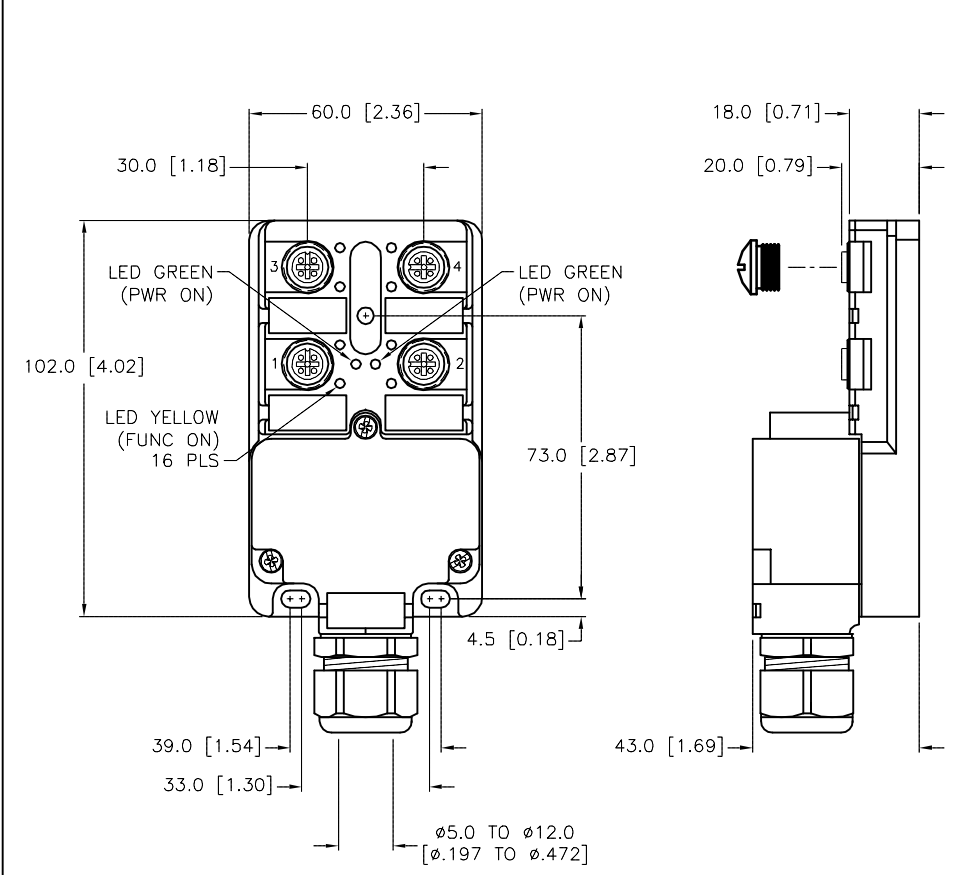
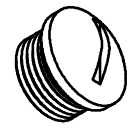


SPECIFICATIONS	
HOUSING MATERIAL/COLOR	PBT (UL 94 VO)/BLACK
RECEPTACLE THREADING MATL/PLATING	BRASS/NICKEL
CONTACT CARRIERS/COLOR	PBT/BK
CONTACTS MATERIAL/PLATING	BRASS/GOLD
SEALING, RECEPTACLE	VITON O-RING
SEALING, HOUSING	TPU FOAM
TERMINATION METHOD	THREAD-CLAMPING (FIELD WIRABLE)
MAX. WIRE SIZE [AWG]	16 AWG
OPERATING VOLTAGE [V]	10-30 V
OPERATING CURRENT [A]	2.0 A PER SIGNAL, 10.0 A TOTAL or 8.0 A PER SUPPLY
PROTECTION CLASS to DIN 40050	IP 68 - ONLY WHEN ALL RECEPTACLES ARE COVERED WITH PLUGS OR CONNECTED
OPERATING TEMPERATURE	-20°C to +90°C (-4°F to +194°F)



WIRING DIAGRAM
(FACTORY SETTING)

SOURCE DRAWING - FOR REFERENCE ONLY



CLOSURE CAPS
(2 INCLUDED)

RELATED DOCUMENTS 1. 2. 3. 4.	3RD ANGLE PROJECTION 	THIS DRAWING IS CONFIDENTIAL AND THE PROPERTY OF TURCK INC. USE OF THIS DOCUMENT WITHOUT WRITTEN PERMISSION IS PROHIBITED.	3000 CAMPUS DRIVE MINNEAPOLIS, MN 55441 1-800-544-7769 (763) 553-7300 (763) 553-0708 fax turck.com		
	MATERIAL SEE SPECIFICATIONS	DRFT JBU DATE 10/10/01	APVD SCALE 1=2.0	DESCRIPTION 4MB12-5P4-K-SK	
	FINISH SEE SPECIFICATIONS	ALL DIMENSIONS DISPLAYED ON THIS DRAWING ARE FOR REFERENCE ONLY	UNIT OF MEASUREMENT MILLIMETER [INCH]	IDENTIFICATION NO. U8018204	REV D
	CONTACT TURCK FOR MORE INFORMATION	DO NOT SCALE THIS DRAWING	FILE: U8018204	SHEET 1 OF 1	

D	UPDATE OPERATING CURRENT RATINGS	KMY	10/11/13	43706
REV	DESCRIPTION	BY	DATE	ECO NO.