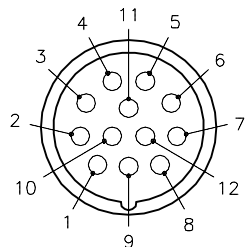
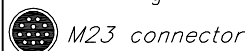
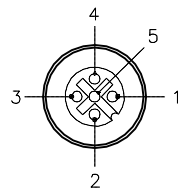


MALE END VIEW

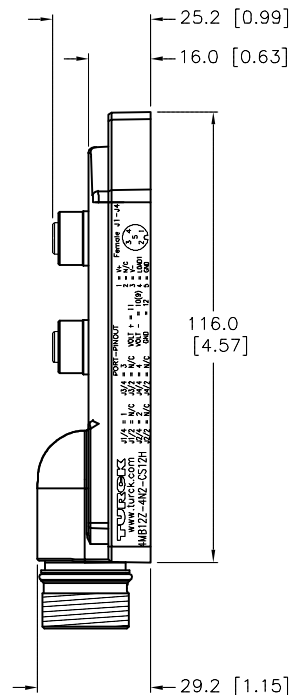
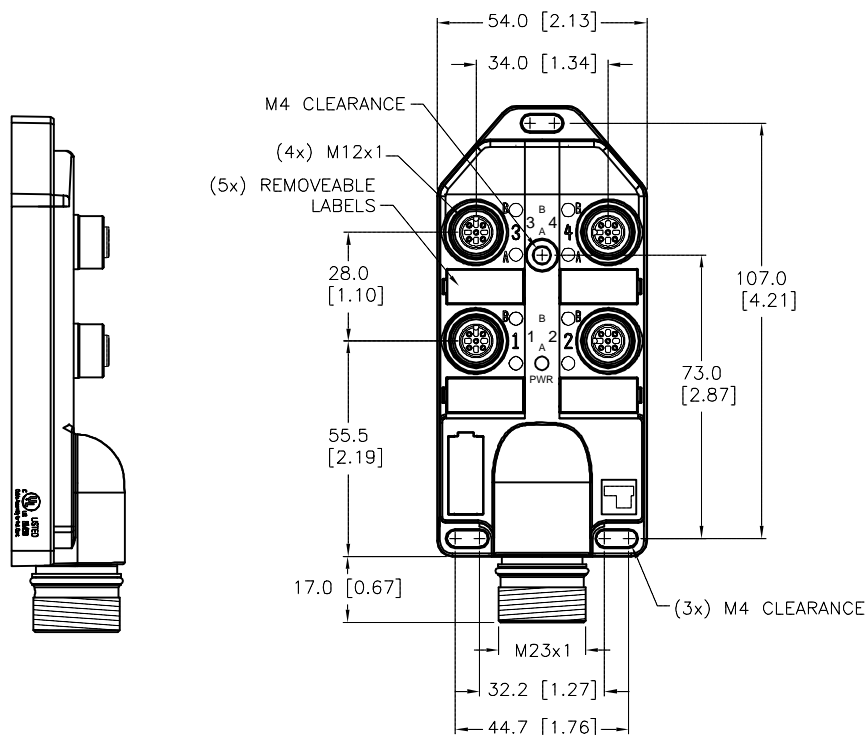


FEMALE END VIEW

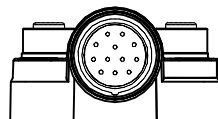
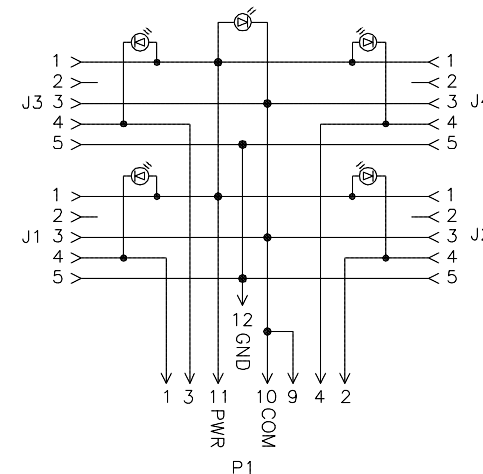


SPECIFICATIONS

HOUSING MATERIAL/COLOR	NYLON/BLACK
RECEPTACLE MATERIAL/PLATING	BRASS/NICKEL
CONTACT CARRIERS	NYLON
CONTACT CARRIER MATERIAL/PLATING	BRASS/GOLD
O-RING MATERIAL	NBR (P1), VITON (J1-J4)
OPERATING VOLTAGE	10-30 VDC
OPERATING CURRENT	2.0 AMPS/SIGNAL, 9.0 AMPS TOTAL
PROTECTION CLASS	IP67,IP69K; ONLY WHEN ALL RECEPTACLES ARE COVERED WITH PLUGS OR CONNECTED
OPERATING TEMPERATURE	-40°C to +85°C (-40°F to +185°F)



WIRING DIAGRAM



SOURCE DRAWING - FOR REFERENCE ONLY

RELATED DOCUMENTS 1. 2. 3. 4.	3RD ANGLE PROJECTION 	THIS DRAWING IS CONFIDENTIAL AND THE PROPERTY OF TURCK INC. USE OF THIS DOCUMENT WITHOUT WRITTEN PERMISSION IS PROHIBITED.		3000 CAMPUS DRIVE MINNEAPOLIS, MN 55441 1-800-544-7769 (763) 553-7300 (763) 553-0708 fax turck.com		
		MATERIAL	DRFT RDS	DATE 08/06/12	DESCRIPTION 4MB12Z-4N2-CS12H	
		SEE SPECIFICATIONS	APVD	SCALE 1=2		
		FINISH	UNIT OF MEASUREMENT MILLIMETER [INCH]		IDENTIFICATION NO.	REV
SEE SPECIFICATIONS	CONTACT TURCK FOR MORE INFORMATION		FILE: E8033443	E8033443 D		
D	UPDATE PROTECTION CLASS	RDS	05/21/14	45752		
REV	DESCRIPTION	BY	DATE	ECO NO.		

DO NOT SCALE THIS DRAWING

SHEET 1 OF 1