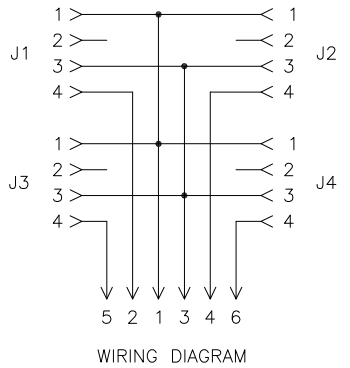
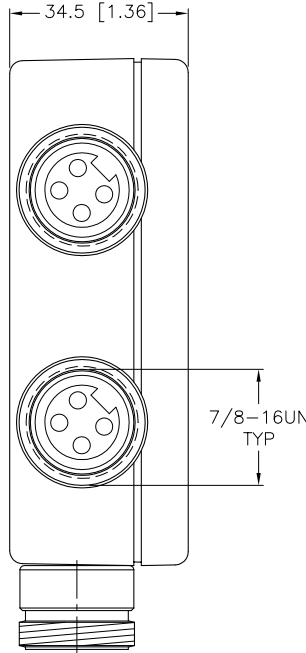
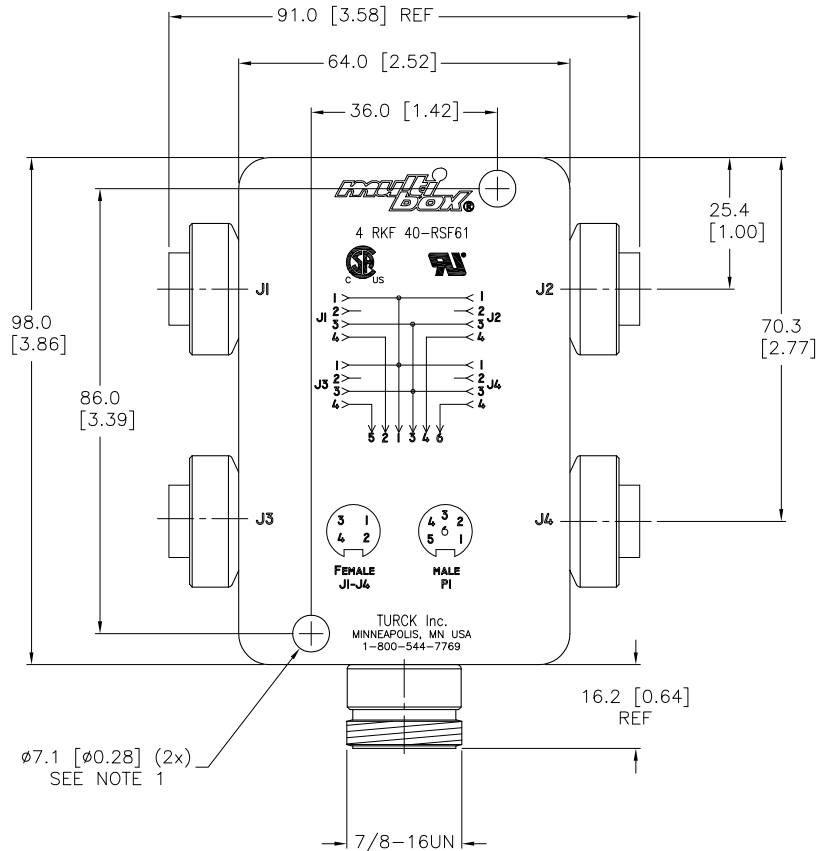


SPECIFICATIONS	
MATERIAL	
HOUSING/COLOR	DIE-CAST ALUMINUM/ POWDER COAT BLACK
RECEPTACLE	BRASS/NICKEL
CONTACT CARRIERS/COLOR	TPU/BLK (J1-J4), BLK (P1)
CONTACTS	BRASS/GOLD
ELECTRICAL DATA	
OPERATING VOLTAGE [V]	300 V
OPERATING CURRENT [A]	8.0 AMPS PER PORT, 8 AMPS TOTAL
MECHANICAL DATA	
PROTECTION CLASS to DIN 40050	IP 67 - ONLY WHEN ALL RECEPTACLES ARE COVERED WITH PLUGS OR CONNECTED
OPERATING TEMPERATURE	-30°C to +80°C (-25°F to +176°F)



SOURCE DRAWING - FOR REFERENCE ONLY

NOTES:
1. CLEARANCE HOLE FOR 1/4-20 MOUNTING SCREWS (NOT INCLUDED).

RELATED DOCUMENTS 1. 2. 3. 4.	3RD ANGLE PROJECTION	THIS DRAWING IS PROPERTY OF TURCK INC. USE OF THIS DOCUMENT WITHOUT WRITTEN PERMISSION IS PROHIBITED.	 3000 CAMPUS DRIVE MINNEAPOLIS, MN 55441 1-800-544-7769 (763) 553-7300 (763) 553-0708 fax turck.com	
			DRFT RWC	DATE 04/10/08
MATERIAL SEE SPECIFICATIONS	ALL DIMENSIONS DISPLAYED ON THIS DRAWING ARE FOR REFERENCE ONLY	DSGN	SCALE 1=1.5	IDENTIFICATION NO. U2-13587
FINISH SEE SPECIFICATIONS		UNIT OF MEASUREMENT MILLIMETER [INCH]	REV C	
DO NOT SCALE THIS DRAWING		FILE: U2-13587		SHEET 1 OF 1

C	DRAWING PROCESSED AS PART OF ECO 33971	CBM	04/07/11	33971
REV	DESCRIPTION	BY	DATE	ECO NO.