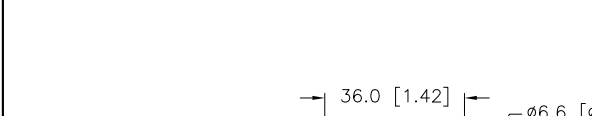
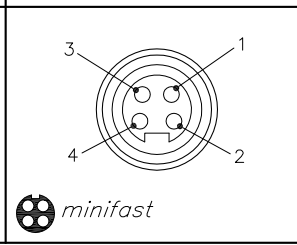
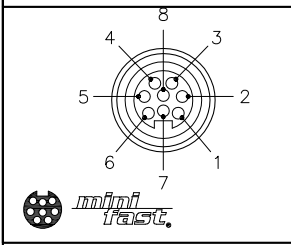
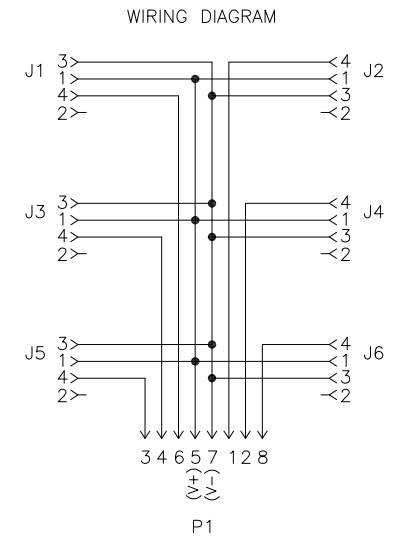
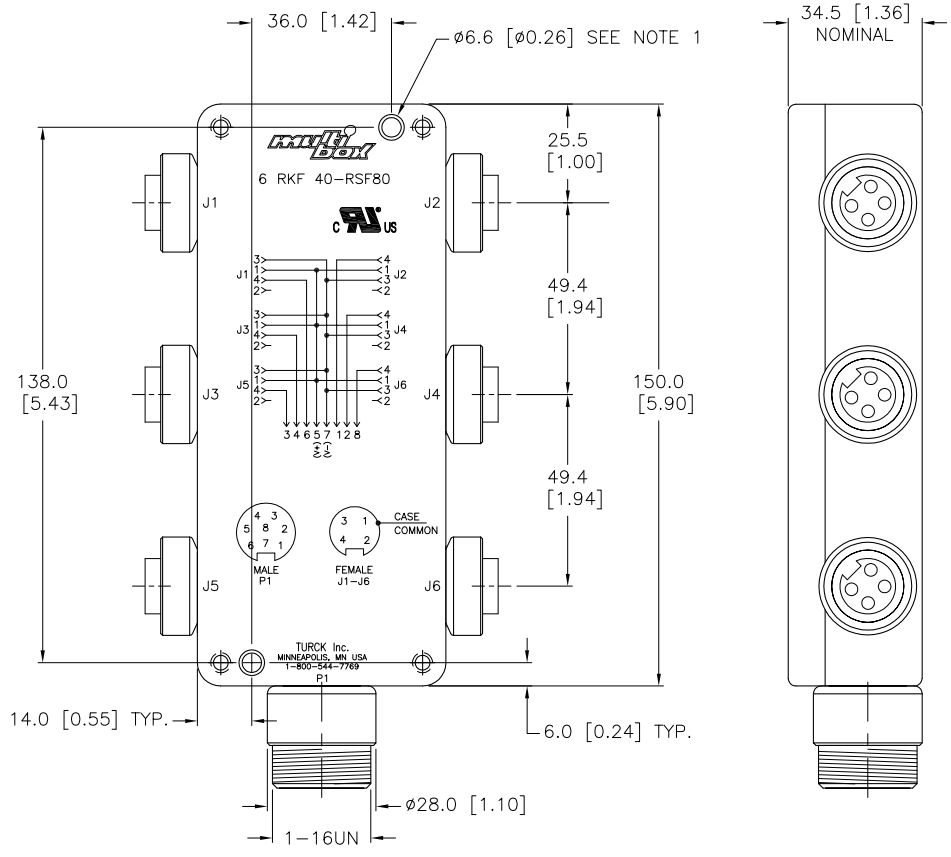


CONNECTOR P1 PIN-OUT
CUSTOMER VIEW

CONNECTORS J1-J6 PIN-OUT
CUSTOMER VIEW

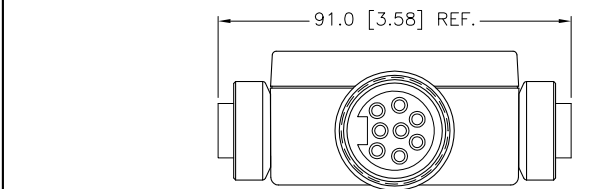


SPECIFICATIONS	
MATERIAL	
HOUSING MATERIAL	ALUMINUM ALLOY
HOUSING FINISH/COLOR	POWDER COAT/BLACK
RECEPTACLE HOUSING	NICKEL-PLATED BRASS
CONTACT CARRIERS	TPU
CONTACTS	GOLD-PLATED BRASS
ELECTRICAL DATA	
OPERATING VOLTAGE	250 VAC/300 VDC
OPERATING CURRENT	4.0 AMPS PER PORT, 9.0 AMPS TOTAL
MECHANICAL DATA	
PROTECTION CLASS to DIN 40050	IP 67 - ONLY WHEN ALL RECEPTACLES ARE COVERED WITH PLUGS OR CONNECTED
OPERATING TEMPERATURE	-30°C to +80°C (-22°F to +176°F)



- NOTES:
- CLEARANCE HOLE FOR M4 [#8] MOUNTING SCREWS (2 NOT INCLUDED).

SOURCE DRAWING - FOR REFERENCE ONLY



RELATED DOCUMENTS 1. 2. 3. 4.	3RD ANGLE PROJECTION	THIS DRAWING IS CONFIDENTIAL AND THE PROPERTY OF TURCK INC. USE OF THIS DOCUMENT WITHOUT WRITTEN PERMISSION IS PROHIBITED.	 3000 CAMPUS DRIVE MINNEAPOLIS, MN 55441 1-800-544-7769 (763) 553-7300 (763) 553-0708 fax turck.com	
	DRFT PJ DSGN DATE 05/05/06 SCALE 1=2		DESCRIPTION 6 RKF 40-RSF80	IDENTIFICATION NO. U0949-27
MATERIAL SEE SPECIFICATIONS	ALL DIMENSIONS DISPLAYED ON THIS DRAWING ARE FOR REFERENCE ONLY	UNIT OF MEASUREMENT MILLIMETER [INCH]	DO NOT SCALE THIS DRAWING	FILE: U0949-27
FINISH SEE SPECIFICATIONS	CONTACT TURCK FOR MORE INFORMATION			SHEET 1 OF 1

F	UPDATE BOX HEIGHT	RDS	07/08/11	35626
REV	DESCRIPTION	BY	DATE	ECO NO.