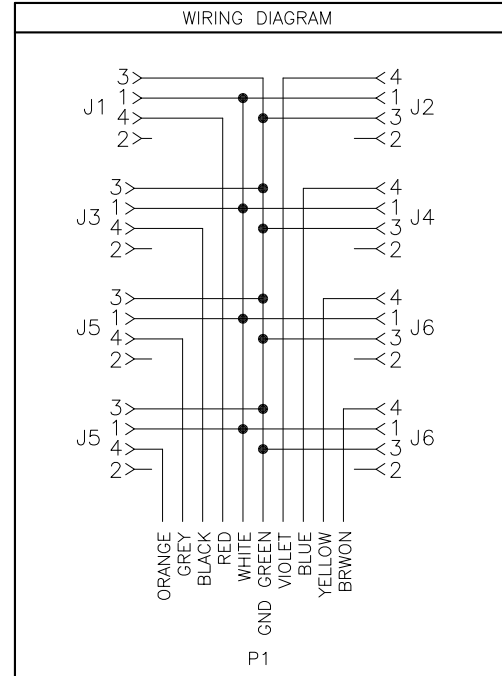
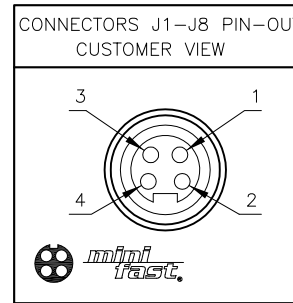


SPECIFICATIONS	
HOUSING MATERIAL	ALUMINUM ALLOY
HOUSING FINISH/COLOR	POWDER COAT/BLACK
HOUSING MATERIAL/PLATING	BRASS/NICKEL
CONTACT CARRIERS	TPU
CONTACTS MATERIAL/PLATING	BRASS/GOLD
CABLE JACKET MATERIAL/COLOR	OIL RESISTANT PVC/BLACK
NUMBER OF CONNECTORS [AWG]	8X18 AWG
DRAIN/SHIELD	20 AWG DRAIN/ POLYESTER FOIL SHIELD
OPERATING VOLTAGE	250 VAC/300 VDC
OPERATING CURRENT	4.0 A PER PORT, 9.0 AMP TOTAL
PROTECTION CLASS	MEETS NEMA 1,3,4,6P AND IEC IP67
OPERATING TEMPERATURE	-30°C to +80°C (-22°F to +176°F)



CABLE LENGTH	TOLERANCE
ALL LENGTHS	+ 4% (OR 50mm) OF LENGTH - 0% (OR 0mm) OF LENGTH WHICHEVER IS GREATER
STRIP LENGTH	TOLERANCE
0-7mm	±0.5mm
8-29mm	±1.0mm
30-49mm	±2.0mm
50-69mm	±3.0mm
70-100mm	±4.0mm
OVER 100mm	±5.0mm

NOTES:

- "*" DESIGNATES CABLE LENGTH IN METERS. CONTACT TURCK TO ORDER SPECIFIC LENGTHS.
- CLEARANCE HOLE FOR #8 [M4] MOUNTING SCREWS (2 NOT INCLUDED).

SOURCE DRAWING - FOR REFERENCE ONLY

RELATED DOCUMENTS 1. 2. 3. 4.	3RD ANGLE PROJECTION 	THIS DRAWING IS CONFIDENTIAL AND THE PROPERTY OF TURCK INC. USE OF THIS DOCUMENT WITHOUT WRITTEN PERMISSION IS PROHIBITED.		TURCK INC High Technology Sensors and Automation Controls 3000 CAMPUS DRIVE MINNEAPOLIS, MN 55441 1-800-544-7769 (763) 553-7300 (763) 553-0708 fax turck.com	
		DRFT IK	DATE 1/15/97	DESCRIPTION 8 RKF 40-*M	
MATERIAL SEE SPECIFICATIONS	ALL DIMENSIONS DISPLAYED ON THIS DRAWING ARE FOR REFERENCE ONLY	APVD	SCALE 1=2	IDENTIFICATION NO.	
FINISH SEE SPECIFICATIONS		UNIT OF MEASUREMENT MILIMETER [INCH]		REV G	
G UPDATE CABLE DIAMETER		KMY	04/16/12	37632	
REV	DESCRIPTION	BY	DATE	ECO NO.	
DO NOT SCALE THIS DRAWING				FILE: 777001287	SHEET 1 OF 1