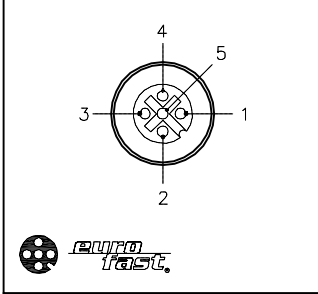


* METERS
SEE NOTE 1

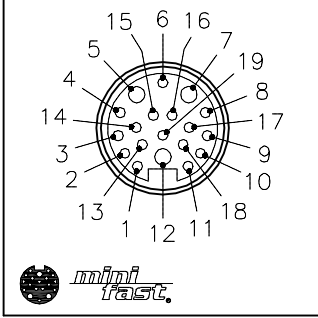
CABLE LENGTH	TOLERANCE *
ALL LENGTHS	+ 4% (OR 50mm) OF LENGTH - 0% (OR 0mm) OF LENGTH WHICHEVER IS GREATER
STRIP LENGTH	TOLERANCE *
0-7mm	±0.5mm
8-29mm	±1.0mm
30-49mm	±2.0mm
50-69mm	±3.0mm
70-100mm	±4.0mm
OVER 100mm	±5.0mm

* UNLESS OTHERWISE SPECIFIED

FEMALE END VIEW (J1-J8)



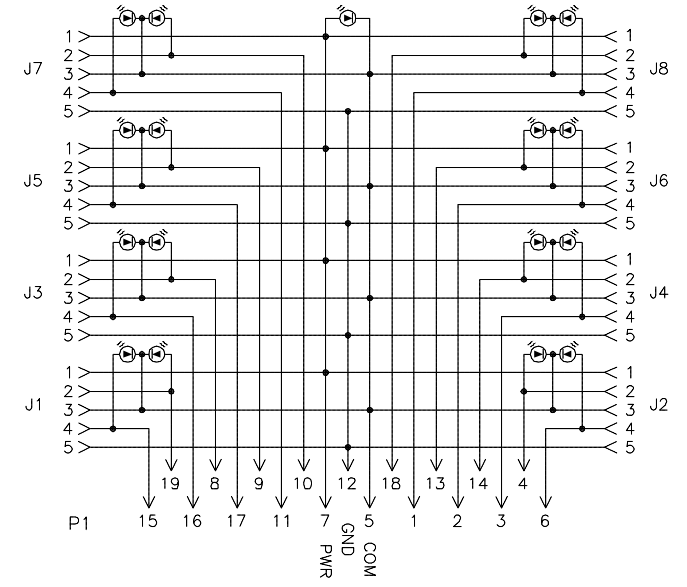
MALE END VIEW (P1)



SPECIFICATIONS

NUMBER OF CONDUCTORS [AWG]	3x18 AWG, 16x22 AWG
DRAIN/SHIELD	20 AWG/ALUMINUM-POLYESTER FOIL
CONDUCTOR INSULATION MATERIAL	PVC
OUTER JACKET MATERIAL/COLOR	PVC/YELLOW
HOUSING MATERIAL/COLOR	NYLON/BLACK
RECEPTACLE MATERIAL/PLATING (J1-J8)	BRASS/NICKEL
CONTACT CARRIER MATERIAL	NYLON
CONTACT MATERIAL/PLATING	BRASS/GOLD
MOLDED HEAD MATERIAL/COLOR (P1)	TPU/YELLOW
COUPLING NUT MATERIAL/PLATING (P1)	BRASS/NICKEL
O-RING MATERIAL	VITON
OPERATING VOLTAGE [V]	10-30 VDC
OPERATING CURRENT [A]	2.0 AMPS/SIGNAL, 4.0 AMPS TOTAL
PROTECTION CLASS	IP67, ONLY WHEN ALL RECEPTACLES ARE COVERED WITH PLUGS OR CONNECTED
OPERATING TEMPERATURE	-40°C to +85°C (-40°F to +185°F)

WIRING DIAGRAM



NOTES:
1. "*" INDICATES CABLE LENGTHS IN METERS. CONTACT TURCK TO ORDER SPECIFIC LENGTH.

RELATED DOCUMENTS	3RD ANGLE PROJECTION	THIS DRAWING IS CONFIDENTIAL AND THE PROPERTY OF TURCK INC. USE OF THIS DOCUMENT WITHOUT WRITTEN PERMISSION IS PROHIBITED.	DRFT	RDS	DATE	10/01/08	DESCRIPTION
1. 2. 3. 4.			APVD		SCALE	1=2.7	8MB12Z-5P3--RSM 190
MATERIAL	SEE SPECIFICATIONS	ALL DIMENSIONS DISPLAYED ON THIS DRAWING ARE FOR REFERENCE ONLY	UNIT OF MEASUREMENT		IDENTIFICATION NO.		
FINISH	SEE SPECIFICATIONS	CONTACT TURCK FOR MORE INFORMATION	MILLIMETER [INCH]		REV		
				DO NOT SCALE THIS DRAWING		FILE: 777005435	

3000 CAMPUS DRIVE MINNEAPOLIS, MN 55441 1-800-544-7769 (763) 553-7300 (763) 553-0708 fax turck.com

DRFT	RDS	DATE	10/01/08
APVD		SCALE	1=2.7
UNIT OF MEASUREMENT		IDENTIFICATION NO.	
MILLIMETER [INCH]		REV	
DO NOT SCALE THIS DRAWING		FILE: 777005435	

3000 CAMPUS DRIVE MINNEAPOLIS, MN 55441 1-800-544-7769 (763) 553-7300 (763) 553-0708 fax turck.com	
DESCRIPTION	8MB12Z-5P3--RSM 190
IDENTIFICATION NO.	REV
FILE: 777005435	SHEET 1 OF 1

F	ADD TOP CLICHE'	RDS	09/04/13	43117
REV	DESCRIPTION	BY	DATE	ECO NO.