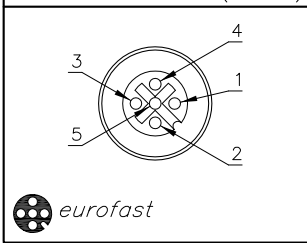
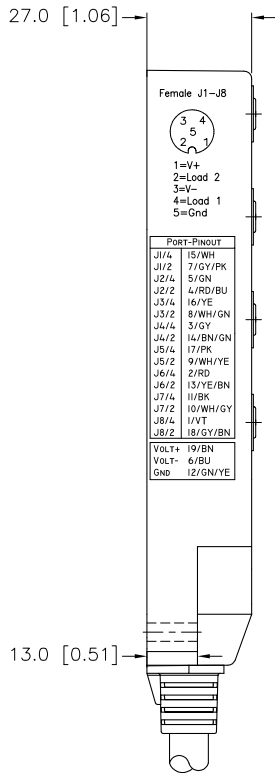


FEMALE END VIEW (J1-J8)



SPECIFICATIONS

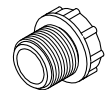
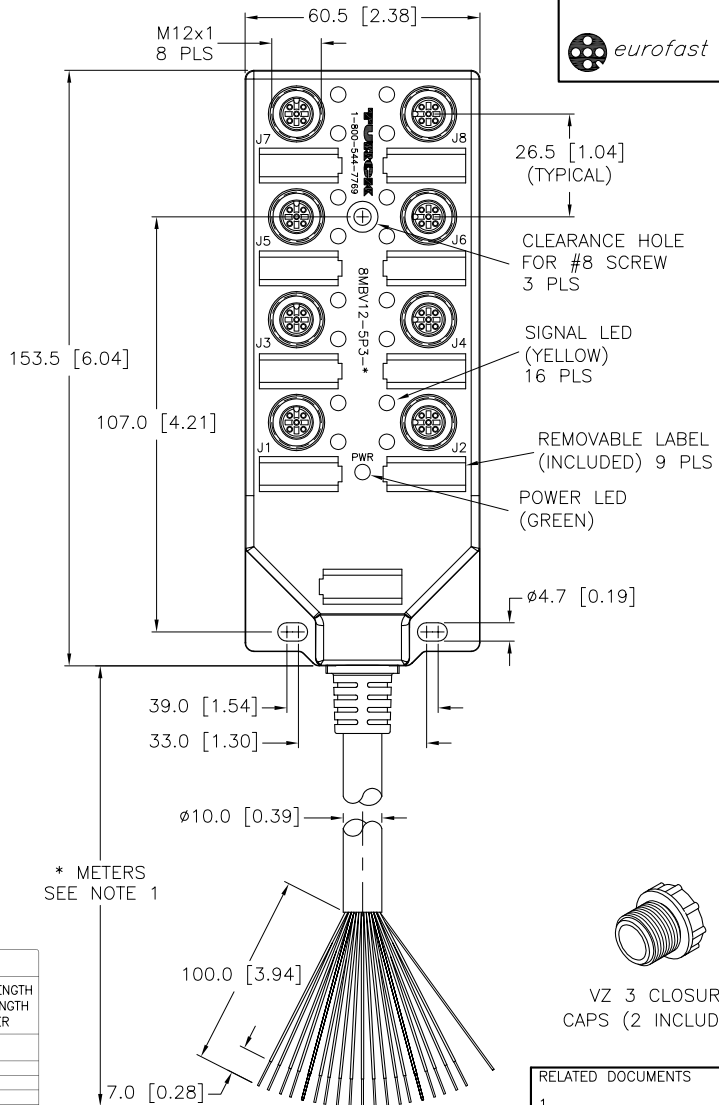
CABLE DATA	
NUMBER OF CONDUCTORS [AWG]	3x18 AWG/16x22 AWG
DRAIN/SHIELD	20 AWG DRAIN/POLYESTER FOIL SHIELD
CONDUCTOR INSULATION MATERIAL	PVC
OUTER JACKET MATERIAL/COLOR	PVC/YELLOW
MATERIAL	
HOUSING/COLOR	NYLON/BLACK
RECEPTACLE MATERIAL/FINISH	STAINLESS STEEL/PASSIVATED
CONTACT CARRIERS	NYLON
CONTACT MATERIAL/PLATING	BRASS/GOLD
SEALING RING	VITON O-RING
ELECTRICAL DATA	
OPERATING VOLTAGE	10-48 VDC
OPERATING CURRENT	4.0 AMPS PER PORT, 9.0 AMPS TOTAL
LED CURRENT	12mA MAX AT 48VDC SUPPLY VOLTAGE(PER LED)
SPACINGS	to VDE 0110 GROUP C
MECHANICAL DATA	
PROTECTION CLASS to DIN 40050	IP 67 - ONLY WHEN ALL RECEPTACLES ARE COVERED WITH PLUGS OR CONNECTED
OPERATING TEMPERATURE	-30°C to +80°C (-25°F to +176°F)



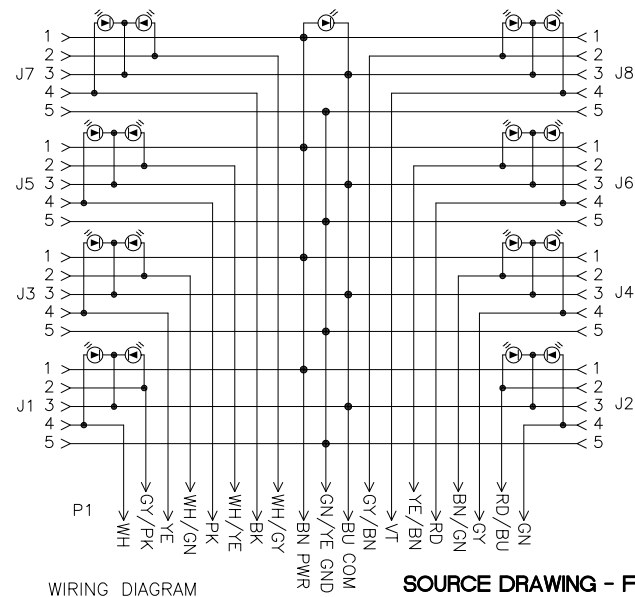
Female J1-J8

1=V+
2=Load 2
3=V-
4=Load 1
5=Gnd

PORT	PINOUT
J1/4	15/WH
J1/2	7/GY/PK
J2/4	5/GN
J2/2	4/RD/BU
J3/4	16/YE
J3/2	8/WH/GN
J4/4	3/GY
J4/2	14/BN/GN
J5/4	17/PK
J5/2	9/WH/YE
J6/4	2/RD
J6/2	13/YE/BN
J7/4	11/BK
J7/2	10/WH/GY
J8/4	11/VT
J8/2	18/GY/BN
VOL+	19/BN
VOL-	6/BU
GND	12/GN/YE



VZ 3 CLOSURE CAPS (2 INCLUDED)



WIRING DIAGRAM

SOURCE DRAWING - FOR REFERENCE ONLY

CABLE LENGTH	TOLERANCE
ALL LENGTHS	+ 4% (OR 50mm) OF LENGTH - 0% (OR 0mm) OF LENGTH WHICHEVER IS GREATER
STRIP LENGTH	TOLERANCE
0-7mm	±0.5mm
8-29mm	±1.0mm
30-49mm	±2.0mm
50-69mm	±3.0mm
70-100mm	±4.0mm
OVER 100mm	±5.0mm

NOTES:
1. "*" INDICATES CABLE LENGTH IN METERS. CONTACT TURCK TO ORDER SPECIFIC LENGTHS.

RELATED DOCUMENTS 1. 2. 3. 4.	3RD ANGLE PROJECTION 	THIS DRAWING IS CONFIDENTIAL AND THE PROPERTY OF TURCK INC. USE OF THIS DOCUMENT WITHOUT WRITTEN PERMISSION IS PROHIBITED.		3000 CAMPUS DRIVE MINNEAPOLIS, MN 55441 1-800-544-7769 (763) 553-7300 (763) 553-0708 fax turck.com	
		DRFT RDS APVD	DATE 10/22/02 SCALE 1=2	DESCRIPTION 8MBV12-5P3-*	
MATERIAL SEE SPECIFICATIONS	ALL DIMENSIONS DISPLAYED ON THIS DRAWING ARE FOR REFERENCE ONLY CONTACT TURCK FOR MORE INFORMATION	UNIT OF MEASUREMENT MILLIMETER [INCH]		IDENTIFICATION NO.	REV D
FINISH SEE SPECIFICATIONS		DO NOT SCALE THIS DRAWING		FILE: 777001324	SHEET 1 OF 1

D	UPDATE CABLE DRAIN	KMY	12/08/11	37385
REV	DESCRIPTION	BY	DATE	ECO NO.