



**multibox® eurofast® Low Profile Junction Boxes**

- Single Output per Port
- Rugged Plastic Housing
- Available with or without LEDs
- **minifast®** Quick Disconnect or Integral Home Run Cable with **minifast** connector
- Threaded M12 Connection

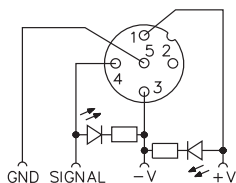
**8-port, 1 Signal Per Port, 10-30 VDC**

Application	Specifications	Pinout				No LEDs	PNP LEDs	NPN LEDs
8-port J-box 1 signal per port <b>minifast</b> connector	2 A/signal, 7 A total 12-pin <b>minifast</b> connector 11 conductors Mates with RKM 126-*M	<u>Function</u>	<u>Pin / Color</u>	<u>Function</u>	<u>Pin / Color</u>	8MB12Z-4-*-RSM120	8MB12Z-4P2-*-RSM120	8MB12Z-4N2-*-RSM120
		+V	10 / RD	Port 4	4 / RD/BK			
8-port J-box 1 signal per port <b>minifast</b> connector	2 A/signal, 7 A total 12-pin <b>minifast</b> connector 11 conductors Mates with RKM 126-*M	-V	11 / WH	Port 5	5 / GN/BK	8MB12Z-4-RSF120	8MB12Z-4P2-RSF120	8MB12Z-4N2-RSF120
		Ground	9 / GN	Port 6	6 / OG/BK			
		Port 1	1 / OG	Port 7	7 / BU/BK			
		Port 2	2 / BU	Port 8	8 / BK/WH			
		Port 3	3 / WH/BK					

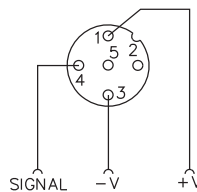
\* Cable length in meters.

**Functional Wiring Diagrams**

**(PNP LED Version)  
1 Signal Per Port**



**(No LED Version)  
1 Signal Per Port**

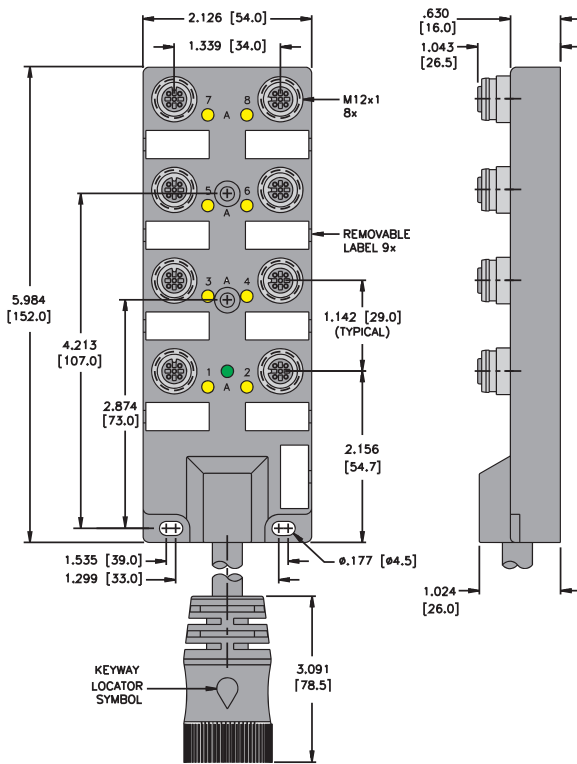


### Specifications

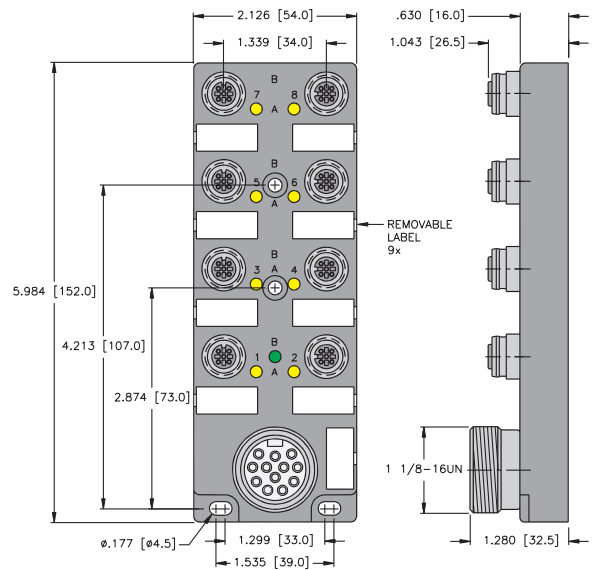
- Housing:** Nylon.
- Connectors:** **eurofast**<sup>®</sup>: Nylon or PUR, spacings to VDE 0110 Group C.
- Contacts:** Gold plated brass.
- Thread Inserts:** Nickel plated brass.
- Cable:** See table.
- Temperature:** -30°C to +80°C (-22°F to +176°F)
- Protection:** IEC IP 67.
- Accessories:** (2) VZ 3 closure caps and a VZ 1 label kit (8 labels), included.
- Cable Length:** Standard length is nominal 5 meters. Other lengths available by request - Consult factory.
- Recommended Splitter:** YB2-FSM 4.5-2 FKM 4.5.

### Dimensions

8-Port Integral Home Run with *minifast*<sup>®</sup> Connector



8-Port *minifast* Quick Disconnect



Multibox, eurofast

### Pinout

Female	Male
<b>5-Pin eurofast</b>	<b>12-pin minifast</b>