



*multibox*® *eurofast*® Junction Boxes, NAMUR, 1 Circuit Per Port

- 4 Ports
- Rugged Plastic Housing with Flush Connectors
- M12 or M23 Quick Disconnect or Integral Home Run Cable
- For use with NAMUR Sensors

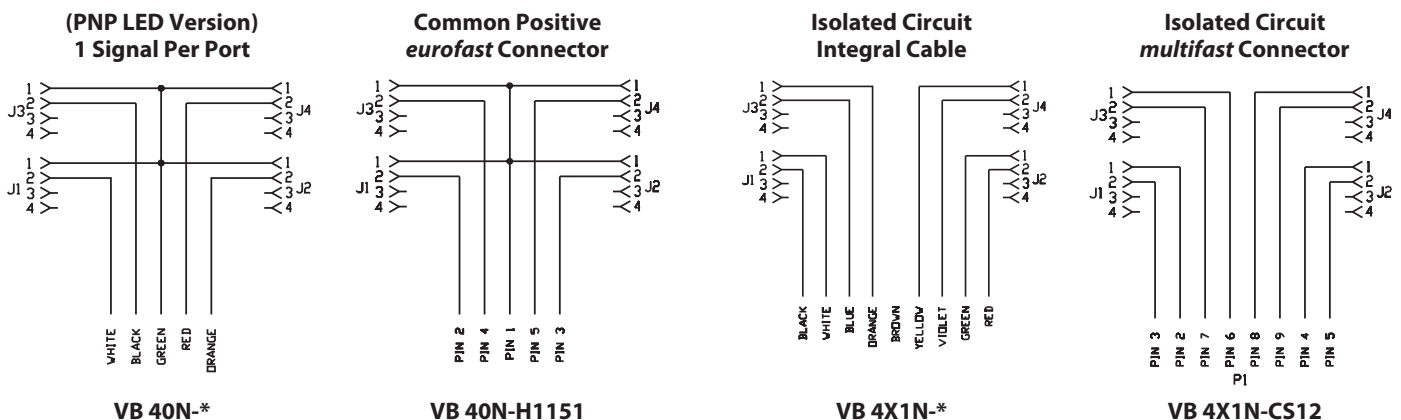
**1 circuit per port, common positive, 100 VDC**

| Application   | Specifications   | Pinout   | Part Number |             |          |             |    |        |          |        |  |  |          |        |  |  |          |        |  |  |          |        |              |
|---|--|--|-------------|-------------|----------|-------------|----|--------|----------|--------|--|--|----------|--------|--|--|----------|--------|--|--|----------|--------|--------------|
| 4-port J-box<br>1 circuit per port<br>Integral cable            | 4 A/port, 9 A total<br>Blue PVC cable, PLTC<br>5x22 AWG  | <table border="0"> <tr> <td>Function</td> <td>Color</td> <td>Function</td> <td>Color</td> </tr> <tr> <td>+V</td> <td>GN</td> <td>J1/Pin 2</td> <td>WH</td> </tr> <tr> <td></td> <td></td> <td>J2/Pin 2</td> <td>OG</td> </tr> <tr> <td></td> <td></td> <td>J3/Pin 2</td> <td>BK</td> </tr> <tr> <td></td> <td></td> <td>J4/Pin 2</td> <td>RD</td> </tr> </table>                                 | Function    | Color       | Function | Color       | +V | GN     | J1/Pin 2 | WH     |  |  | J2/Pin 2 | OG     |  |  | J3/Pin 2 | BK     |  |  | J4/Pin 2 | RD     | VB 40N-*     |
| Function  | Color  | Function   | Color       |             |          |             |    |        |          |        |  |  |          |        |  |  |          |        |  |  |          |        |              |
| +V  | GN   | J1/Pin 2   | WH          |             |          |             |    |        |          |        |  |  |          |        |  |  |          |        |  |  |          |        |              |
|   |  | J2/Pin 2   | OG          |             |          |             |    |        |          |        |  |  |          |        |  |  |          |        |  |  |          |        |              |
|   |  | J3/Pin 2   | BK          |             |          |             |    |        |          |        |  |  |          |        |  |  |          |        |  |  |          |        |              |
|   |  | J4/Pin 2   | RD          |             |          |             |    |        |          |        |  |  |          |        |  |  |          |        |  |  |          |        |              |
| 4-port J-box<br>1 circuit per port<br><b>eurofast</b> connector | 4 A/port, 4 A total<br>5-pin <b>eurofast</b> connector<br>5 conductors<br>Mates with RKC� 5T-* | <table border="0"> <tr> <td>Function</td> <td>Pin / Color</td> <td>Function</td> <td>Pin / Color</td> </tr> <tr> <td>+V</td> <td>1 / GN</td> <td>J1/Pin 2</td> <td>2 / WH</td> </tr> <tr> <td></td> <td></td> <td>J2/Pin 2</td> <td>3 / OG</td> </tr> <tr> <td></td> <td></td> <td>J3/Pin 2</td> <td>4 / BK</td> </tr> <tr> <td></td> <td></td> <td>J4/Pin 2</td> <td>5 / RD</td> </tr> </table> | Function    | Pin / Color | Function | Pin / Color | +V | 1 / GN | J1/Pin 2 | 2 / WH |  |  | J2/Pin 2 | 3 / OG |  |  | J3/Pin 2 | 4 / BK |  |  | J4/Pin 2 | 5 / RD | VB 40N-H1151 |
| Function  | Pin / Color  | Function   | Pin / Color |             |          |             |    |        |          |        |  |  |          |        |  |  |          |        |  |  |          |        |              |
| +V  | 1 / GN   | J1/Pin 2   | 2 / WH      |             |          |             |    |        |          |        |  |  |          |        |  |  |          |        |  |  |          |        |              |
|   |  | J2/Pin 2   | 3 / OG      |             |          |             |    |        |          |        |  |  |          |        |  |  |          |        |  |  |          |        |              |
|   |  | J3/Pin 2   | 4 / BK      |             |          |             |    |        |          |        |  |  |          |        |  |  |          |        |  |  |          |        |              |
|   |  | J4/Pin 2   | 5 / RD      |             |          |             |    |        |          |        |  |  |          |        |  |  |          |        |  |  |          |        |              |

**1 Circuit per port, isolated circuits, 100 VDC**

| Application  | Specifications   | Pinout   | Part Number       |             |          |             |          |        |          |        |          |        |          |        |          |        |          |        |          |        |          |        |  |  |  |                   |              |
|--|--|--|-------------------|-------------|----------|-------------|----------|--------|----------|--------|----------|--------|----------|--------|----------|--------|----------|--------|----------|--------|----------|--------|--|--|--|-------------------|--------------|
| 4-port J-box<br>1 circuit per port<br>Integral cable             | 4 A/port, 9 A total<br>Blue PVC cable, PLTC<br>9x22 AWG  | <table border="0"> <tr> <td>Function</td> <td>Color</td> <td>Function</td> <td>Color</td> </tr> <tr> <td>J1/Pin 1</td> <td>WH</td> <td>J3/Pin 1</td> <td>OG</td> </tr> <tr> <td>J1/Pin 2</td> <td>BK</td> <td>J3/Pin 2</td> <td>BU</td> </tr> <tr> <td>J2/Pin 1</td> <td>GN</td> <td>J4/Pin 1</td> <td>YE</td> </tr> <tr> <td>J2/Pin 2</td> <td>RD</td> <td>J4/Pin 2</td> <td>VT</td> </tr> <tr> <td></td> <td></td> <td></td> <td>Brown not used</td> </tr> </table>  | Function          | Color       | Function | Color       | J1/Pin 1 | WH     | J3/Pin 1 | OG     | J1/Pin 2 | BK     | J3/Pin 2 | BU     | J2/Pin 1 | GN     | J4/Pin 1 | YE     | J2/Pin 2 | RD     | J4/Pin 2 | VT     |  |  |  | Brown not used    | VB 4X1N-*    |
| Function   | Color  | Function   | Color             |             |          |             |          |        |          |        |          |        |          |        |          |        |          |        |          |        |          |        |  |  |  |                   |              |
| J1/Pin 1   | WH   | J3/Pin 1   | OG                |             |          |             |          |        |          |        |          |        |          |        |          |        |          |        |          |        |          |        |  |  |  |                   |              |
| J1/Pin 2   | BK   | J3/Pin 2   | BU                |             |          |             |          |        |          |        |          |        |          |        |          |        |          |        |          |        |          |        |  |  |  |                   |              |
| J2/Pin 1   | GN   | J4/Pin 1   | YE                |             |          |             |          |        |          |        |          |        |          |        |          |        |          |        |          |        |          |        |  |  |  |                   |              |
| J2/Pin 2   | RD   | J4/Pin 2   | VT                |             |          |             |          |        |          |        |          |        |          |        |          |        |          |        |          |        |          |        |  |  |  |                   |              |
|  |  |  | Brown not used    |             |          |             |          |        |          |        |          |        |          |        |          |        |          |        |          |        |          |        |  |  |  |                   |              |
| 4-port J-box<br>1 circuit per port<br><b>multifast</b> connector | 4 A/port, 8 A total<br>12-pin <b>multifast</b> connector<br>9 conductors<br>Mates with CKNM 12-9-* | <table border="0"> <tr> <td>Function</td> <td>Pin / Color</td> <td>Function</td> <td>Pin / Color</td> </tr> <tr> <td>J1/Pin 1</td> <td>2 / WH</td> <td>J3/Pin 1</td> <td>6 / OG</td> </tr> <tr> <td>J1/Pin 2</td> <td>3 / BK</td> <td>J3/Pin 2</td> <td>7 / BU</td> </tr> <tr> <td>J2/Pin 1</td> <td>4 / GN</td> <td>J4/Pin 1</td> <td>8 / YE</td> </tr> <tr> <td>J2/Pin 2</td> <td>5 / RD</td> <td>J4/Pin 2</td> <td>9 / VT</td> </tr> <tr> <td></td> <td></td> <td></td> <td>Pin 1/BN not used</td> </tr> </table> | Function          | Pin / Color | Function | Pin / Color | J1/Pin 1 | 2 / WH | J3/Pin 1 | 6 / OG | J1/Pin 2 | 3 / BK | J3/Pin 2 | 7 / BU | J2/Pin 1 | 4 / GN | J4/Pin 1 | 8 / YE | J2/Pin 2 | 5 / RD | J4/Pin 2 | 9 / VT |  |  |  | Pin 1/BN not used | VB 4X1N-CS12 |
| Function   | Pin / Color  | Function   | Pin / Color       |             |          |             |          |        |          |        |          |        |          |        |          |        |          |        |          |        |          |        |  |  |  |                   |              |
| J1/Pin 1   | 2 / WH   | J3/Pin 1   | 6 / OG            |             |          |             |          |        |          |        |          |        |          |        |          |        |          |        |          |        |          |        |  |  |  |                   |              |
| J1/Pin 2   | 3 / BK   | J3/Pin 2   | 7 / BU            |             |          |             |          |        |          |        |          |        |          |        |          |        |          |        |          |        |          |        |  |  |  |                   |              |
| J2/Pin 1   | 4 / GN   | J4/Pin 1   | 8 / YE            |             |          |             |          |        |          |        |          |        |          |        |          |        |          |        |          |        |          |        |  |  |  |                   |              |
| J2/Pin 2   | 5 / RD   | J4/Pin 2   | 9 / VT            |             |          |             |          |        |          |        |          |        |          |        |          |        |          |        |          |        |          |        |  |  |  |                   |              |
|  |  |  | Pin 1/BN not used |             |          |             |          |        |          |        |          |        |          |        |          |        |          |        |          |        |          |        |  |  |  |                   |              |

**Functional Wiring Diagrams**

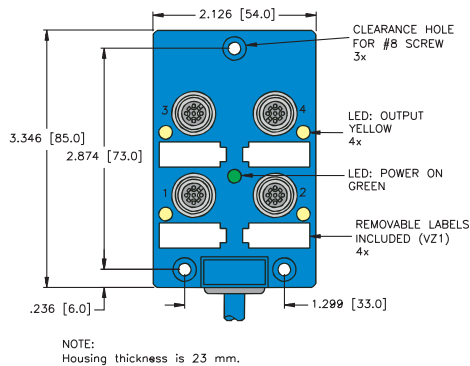


## Specifications

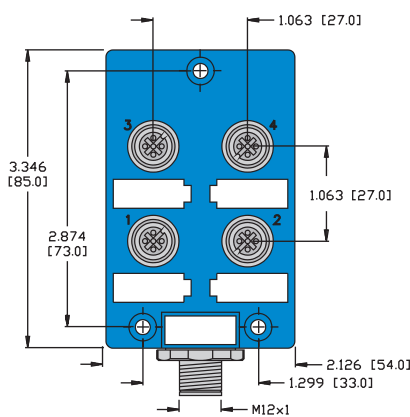
|                        |  |
|------------------------|--|
| <b>Housing:</b>        | Nylon  |
| <b>Connectors:</b>     | <b>eurofast</b> : Nylon or TPU   |
| <b>Contacts:</b>       | Gold plated brass, machined from solid stock   |
| <b>Thread Inserts:</b> | Nickel plated brass  |
| <b>Cable:</b>          | See table  |
| <b>Temperature:</b>    | -40°C to +90°C (-40°F to +194°F)   |
| <b>Protection:</b>     | IEC IP67   |
| <b>Accessories:</b>    | (2) VZ 3 closure caps and one VZ 1 label kit (8 labels) included   |
| <b>Cable Length:</b>   | Standard length for junction boxes and <b>multifast</b> series quick disconnect cordsets is nominal 5 meters |

## Dimensions

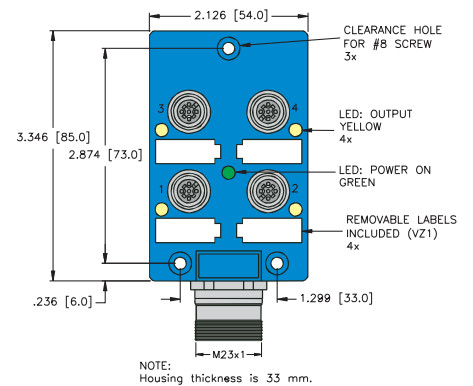
**4-Port with Integral Home Run Cable**



**4-Port with eurofast Home Run Connector**



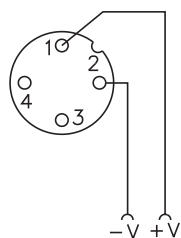
**4-Port with multifast Home Run Connector**



**Notes:**

- Removable labels included (Part number VZ 1).
- Clearance hole for #8 screw (3 places).
- Housings with integral cable: 23.0 mm thickness. Housings with quick disconnect: 33.0 mm thickness.

### Female Pinout Diagram



### Pinout

| Male                  | Male                    |
|-----------------------|-------------------------|
|                       |                         |
| <b>5-Pin eurofast</b> | <b>12-Pin multifast</b> |