



multibox® *eurofast*® Junction Boxes, NAMUR, 2 Circuits Per Port

- 4 Ports
- Rugged Plastic Housing with Flush Connectors
- M23 Quick Disconnect or Integral Home Run Cable
- For use with NAMUR Sensors

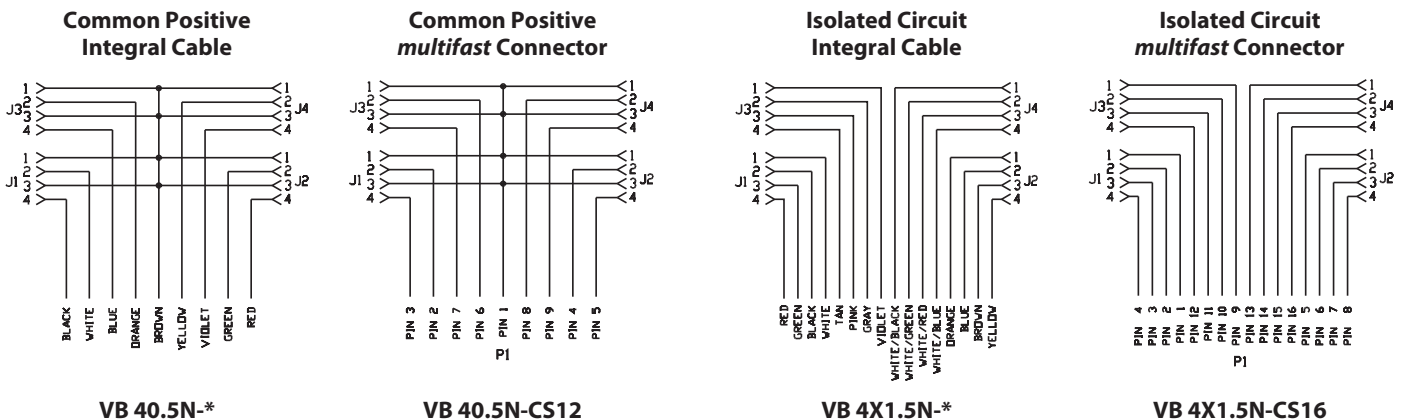
2 Circuits Per Port, Common Positive, 100 VDC

Application	Specifications	Pinout	Part Number																								
4-port J-box 2 circuits per port Integral cable	4 A/port, 9 A total Blue PVC cable, PLTC 9x22 AWG	<table border="1"> <thead> <tr> <th>Function</th> <th>Color</th> <th>Function</th> <th>Color</th> </tr> </thead> <tbody> <tr> <td>V+</td> <td>BN</td> <td>J3/Pin 2</td> <td>OG</td> </tr> <tr> <td>J1/Pin 2</td> <td>WH</td> <td>J3/Pin 4</td> <td>BU</td> </tr> <tr> <td>J1/Pin 4</td> <td>BK</td> <td>J4/Pin 2</td> <td>YE</td> </tr> <tr> <td>J2/Pin 2</td> <td>GN</td> <td>J4/Pin 4</td> <td>VT</td> </tr> <tr> <td>J2/Pin 4</td> <td>RD</td> <td></td> <td></td> </tr> </tbody> </table>	Function	Color	Function	Color	V+	BN	J3/Pin 2	OG	J1/Pin 2	WH	J3/Pin 4	BU	J1/Pin 4	BK	J4/Pin 2	YE	J2/Pin 2	GN	J4/Pin 4	VT	J2/Pin 4	RD			VB 40.5N-*
Function	Color	Function	Color																								
V+	BN	J3/Pin 2	OG																								
J1/Pin 2	WH	J3/Pin 4	BU																								
J1/Pin 4	BK	J4/Pin 2	YE																								
J2/Pin 2	GN	J4/Pin 4	VT																								
J2/Pin 4	RD																										
4-port J-box 2 circuits per port <i>multifast</i> connector	4 A/port, 8 A total 12-pin <i>multifast</i> connector 9 conductors Mates with CKNM 12-9-*	<table border="1"> <thead> <tr> <th>Function</th> <th>Pin / Color</th> <th>Function</th> <th>Pin / Color</th> </tr> </thead> <tbody> <tr> <td>V+</td> <td>1 / BN</td> <td>J3/Pin 2</td> <td>6 / OG</td> </tr> <tr> <td>J1/Pin 2</td> <td>2 / WH</td> <td>J3/Pin 4</td> <td>7 / BU</td> </tr> <tr> <td>J1/Pin 4</td> <td>3 / BK</td> <td>J4/Pin 2</td> <td>8 / YE</td> </tr> <tr> <td>J2/Pin 2</td> <td>4 / GN</td> <td>J4/Pin 4</td> <td>9 / VT</td> </tr> <tr> <td>J2/Pin 4</td> <td>5 / RD</td> <td></td> <td></td> </tr> </tbody> </table>	Function	Pin / Color	Function	Pin / Color	V+	1 / BN	J3/Pin 2	6 / OG	J1/Pin 2	2 / WH	J3/Pin 4	7 / BU	J1/Pin 4	3 / BK	J4/Pin 2	8 / YE	J2/Pin 2	4 / GN	J4/Pin 4	9 / VT	J2/Pin 4	5 / RD			VB 40.5N-CS12
Function	Pin / Color	Function	Pin / Color																								
V+	1 / BN	J3/Pin 2	6 / OG																								
J1/Pin 2	2 / WH	J3/Pin 4	7 / BU																								
J1/Pin 4	3 / BK	J4/Pin 2	8 / YE																								
J2/Pin 2	4 / GN	J4/Pin 4	9 / VT																								
J2/Pin 4	5 / RD																										

2 Circuits Per Port, Isolated Circuits, 100 VDC

Application	Specifications	Pinout	Part Number																																				
4-port J-box 2 circuits per port Integral cable	4 A/port, 9 A total Blue PVC cable, PLTC 16x22 AWG	<table border="1"> <thead> <tr> <th>Function</th> <th>Color</th> <th>Function</th> <th>Color</th> </tr> </thead> <tbody> <tr> <td>J1/Pin 1</td> <td>WH</td> <td>J3/Pin 1</td> <td>VT</td> </tr> <tr> <td>J1/Pin 2</td> <td>BK</td> <td>J3/Pin 2</td> <td>CY</td> </tr> <tr> <td>J1/Pin 3</td> <td>GN</td> <td>J3/Pin 3</td> <td>PK</td> </tr> <tr> <td>J1/Pin 4</td> <td>RD</td> <td>J3/Pin 4</td> <td>TN</td> </tr> <tr> <td>J2/Pin 1</td> <td>OG</td> <td>J4/Pin 1</td> <td>WH / BK</td> </tr> <tr> <td>J2/Pin 2</td> <td>BU</td> <td>J4/Pin 2</td> <td>WH / GN</td> </tr> <tr> <td>J2/Pin 3</td> <td>BN</td> <td>J4/Pin 3</td> <td>WH / RD</td> </tr> <tr> <td>J2/Pin 4</td> <td>YE</td> <td>J4/Pin 4</td> <td>WH / BU</td> </tr> </tbody> </table>	Function	Color	Function	Color	J1/Pin 1	WH	J3/Pin 1	VT	J1/Pin 2	BK	J3/Pin 2	CY	J1/Pin 3	GN	J3/Pin 3	PK	J1/Pin 4	RD	J3/Pin 4	TN	J2/Pin 1	OG	J4/Pin 1	WH / BK	J2/Pin 2	BU	J4/Pin 2	WH / GN	J2/Pin 3	BN	J4/Pin 3	WH / RD	J2/Pin 4	YE	J4/Pin 4	WH / BU	VB 4X1.5N-*
Function	Color	Function	Color																																				
J1/Pin 1	WH	J3/Pin 1	VT																																				
J1/Pin 2	BK	J3/Pin 2	CY																																				
J1/Pin 3	GN	J3/Pin 3	PK																																				
J1/Pin 4	RD	J3/Pin 4	TN																																				
J2/Pin 1	OG	J4/Pin 1	WH / BK																																				
J2/Pin 2	BU	J4/Pin 2	WH / GN																																				
J2/Pin 3	BN	J4/Pin 3	WH / RD																																				
J2/Pin 4	YE	J4/Pin 4	WH / BU																																				
4-port J-box 2 circuits per port <i>multifast</i> cable	4 A/port, 8 A total 16-pin <i>multifast</i> connector 16 conductors Mates with CKNWM 16-16-*	<table border="1"> <thead> <tr> <th>Function</th> <th>Color</th> <th>Function</th> <th>Color</th> </tr> </thead> <tbody> <tr> <td>J1/Pin 1</td> <td>1/WH</td> <td>J3/Pin 1</td> <td>9/VT</td> </tr> <tr> <td>J1/Pin 2</td> <td>2/BK</td> <td>J3/Pin 2</td> <td>10/GY</td> </tr> <tr> <td>J1/Pin 3</td> <td>3/GN</td> <td>J3/Pin 3</td> <td>11/PK</td> </tr> <tr> <td>J1/Pin 4</td> <td>4/RD</td> <td>J3/Pin 4</td> <td>12/TN</td> </tr> <tr> <td>J2/Pin 1</td> <td>5/OG</td> <td>J4/Pin 1</td> <td>13/WH/BK</td> </tr> <tr> <td>J2/Pin 2</td> <td>6/BU</td> <td>J4/Pin 2</td> <td>14/WH/GN</td> </tr> <tr> <td>J2/Pin 3</td> <td>7/BN</td> <td>J4/Pin 3</td> <td>15/WH/RD</td> </tr> <tr> <td>J2/Pin 4</td> <td>8/YE</td> <td>J4/Pin 4</td> <td>16/WH/BU</td> </tr> </tbody> </table>	Function	Color	Function	Color	J1/Pin 1	1/WH	J3/Pin 1	9/VT	J1/Pin 2	2/BK	J3/Pin 2	10/GY	J1/Pin 3	3/GN	J3/Pin 3	11/PK	J1/Pin 4	4/RD	J3/Pin 4	12/TN	J2/Pin 1	5/OG	J4/Pin 1	13/WH/BK	J2/Pin 2	6/BU	J4/Pin 2	14/WH/GN	J2/Pin 3	7/BN	J4/Pin 3	15/WH/RD	J2/Pin 4	8/YE	J4/Pin 4	16/WH/BU	VB 4X1.5N-CS16
Function	Color	Function	Color																																				
J1/Pin 1	1/WH	J3/Pin 1	9/VT																																				
J1/Pin 2	2/BK	J3/Pin 2	10/GY																																				
J1/Pin 3	3/GN	J3/Pin 3	11/PK																																				
J1/Pin 4	4/RD	J3/Pin 4	12/TN																																				
J2/Pin 1	5/OG	J4/Pin 1	13/WH/BK																																				
J2/Pin 2	6/BU	J4/Pin 2	14/WH/GN																																				
J2/Pin 3	7/BN	J4/Pin 3	15/WH/RD																																				
J2/Pin 4	8/YE	J4/Pin 4	16/WH/BU																																				

Functional Wiring Diagrams

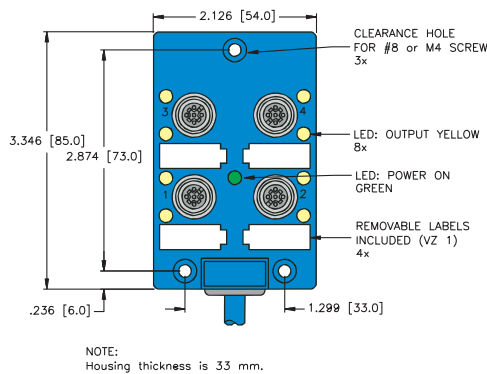


Specifications

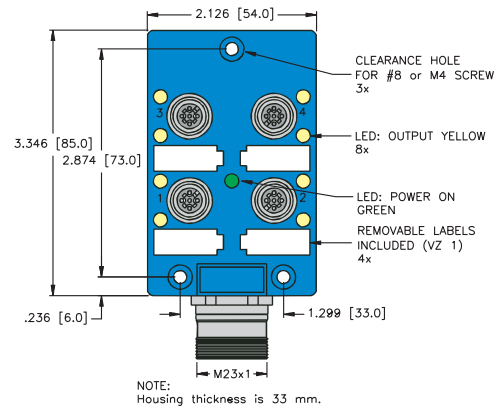
Housing:	Nylon
Connectors:	eurofast : Nylon or TPU
Contacts:	Gold plated brass, machined from solid stock
Thread Inserts:	Nickel plated brass
Cable:	See table
Temperature:	-40°C to +90°C (-40°F to +194°F)
Protection:	IEC IP67
Accessories:	(2) VZ 3 closure caps and one VZ 1 label kit (8 labels) included
Cable Length:	Standard length for junction boxes and multifast series quick disconnect cordsets is nominal 5 meters

Dimensions

4-Port with Integral Home Run Cable



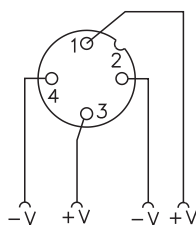
4-Port with multifast Home Run Connector



Notes:

- Removable labels included (Part number VZ 1).
- Clearance hole for #8 screw (3 places).
- Housings with integral cable: 23.0 mm thickness. Housings with quick disconnect: 33.0 mm thickness.

Female Pinout Diagram



Pinout

Male	Male
12-Pin multifast	16-Pin multifast