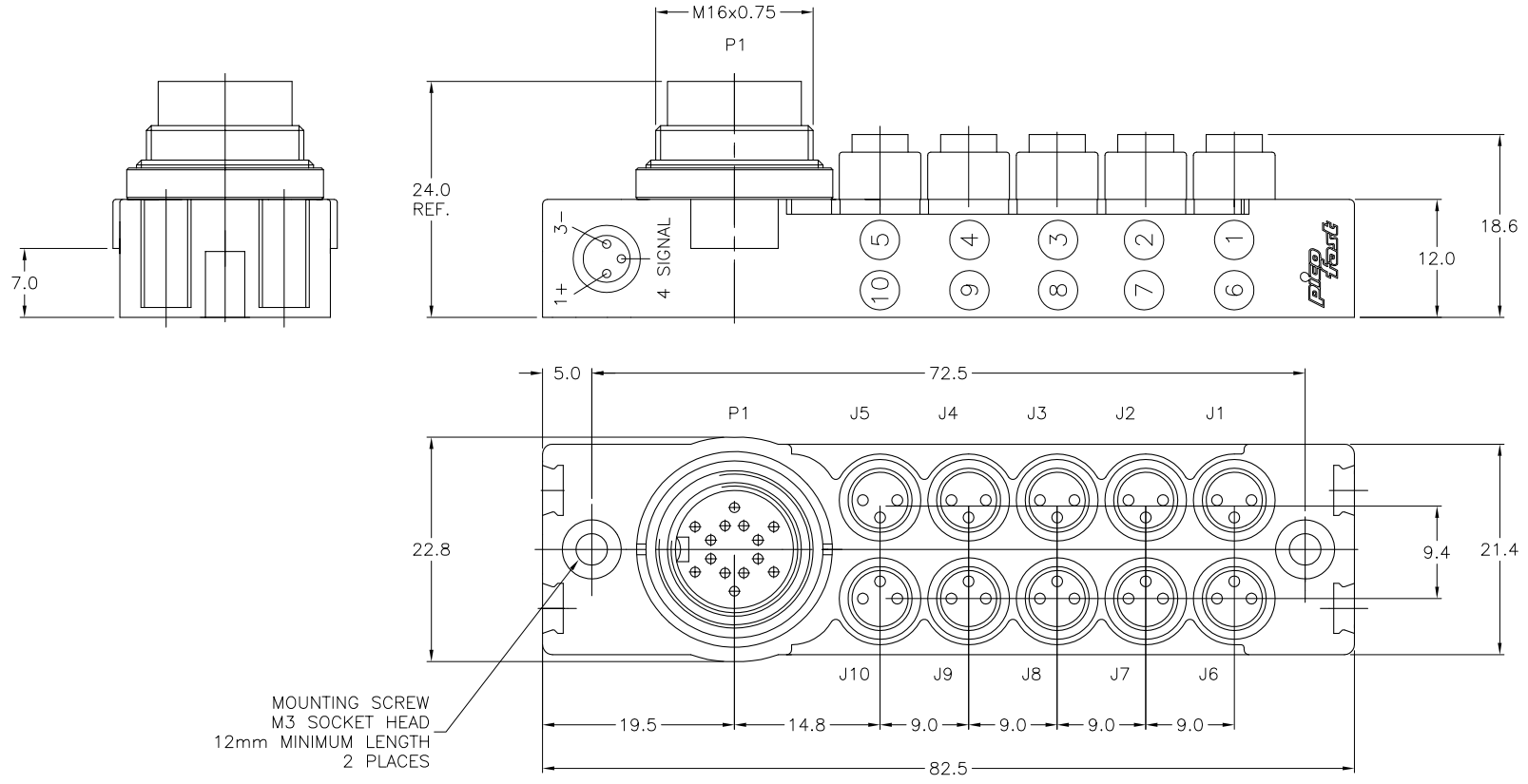


WIRING DIAGRAM	CONNECTOR (P1)	CONNECTORS (J1-J10)	SPECIFICATIONS	
	<p>M16 connector</p>	<p>picofast</p>	HOUSING MATERIAL	PA 6 NYLON
			HOUSING COLOR	BLACK
			RECEPTACLE HOUSING	ALUMINUM (P1), POLYURETHANE (J1-J10)
			CONTACT CARRIER MATERIAL/COLOR	PETP (P1), POLYURETHANE (J1-J10) / BLACK
			CONTACTS	GOLD-PLATED BRASS
			OPERATING VOLTAGE	48 V AC/DC
			OPERATING CURRENT	3.0 A PER PORT, 3.0 A TOTAL
PROTECTION CLASS to DIN 40050	IP 67 - ONLY WHEN ALL RECEPTACLES ARE COVERED WITH PLUGS OR CONNECTED			
OPERATING TEMPERATURE	-40°C to 85°C (-40°F to 185°F)			



<b>RELATED DOCUMENTS</b> 1. ESCHA: 64060000 2. 3. 4.		<b>3RD ANGLE PROJECTION</b> 		THIS DRAWING IS PROPERTY OF TURCK INC. USE OF THIS DOCUMENT WITHOUT WRITTEN PERMISSION IS PROHIBITED.		<b>TURCK INC</b> <i>High Technology Sensors and Automation Controls</i> 3000 CAMPUS DRIVE MINNEAPOLIS, MN 55441 1-800-544-7769 (763) 553-7300 (763) 553-0708 fax turck.com	
<b>MATERIAL</b>		DRFT GC DSGN GC	DATE 02/02/99 SCALE 1=3/4	DESCRIPTION VB 1003-BS14			
<b>FINISH</b>		UNIT OF MEASUREMENT <b>MILLIMETERS</b>		IDENTIFICATION NO. U0943-53		REV D	
D UPDATE DESCRIPTION AND ID NUMBER RDS 10/13/03 10581		BY DATE ECO NO.		DO NOT SCALE THIS DRAWING		FILE: PICO-B\U0943-53	
REV DESCRIPTION		SHEET 1 OF 1		FILE: PICO-B\U0943-53			