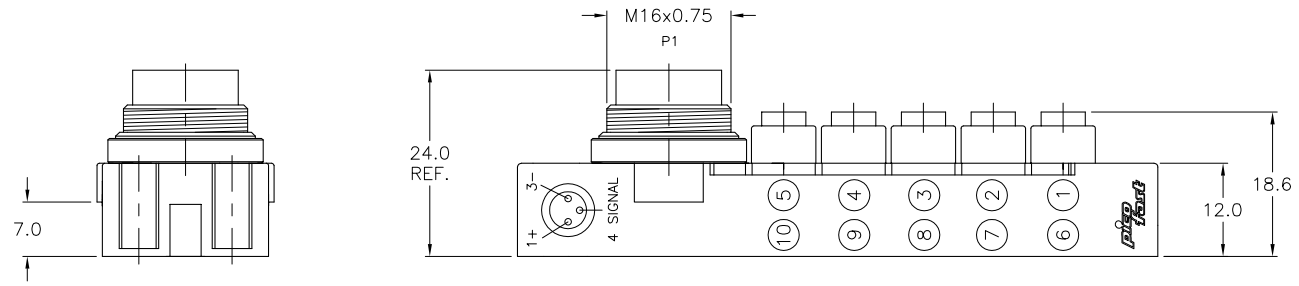
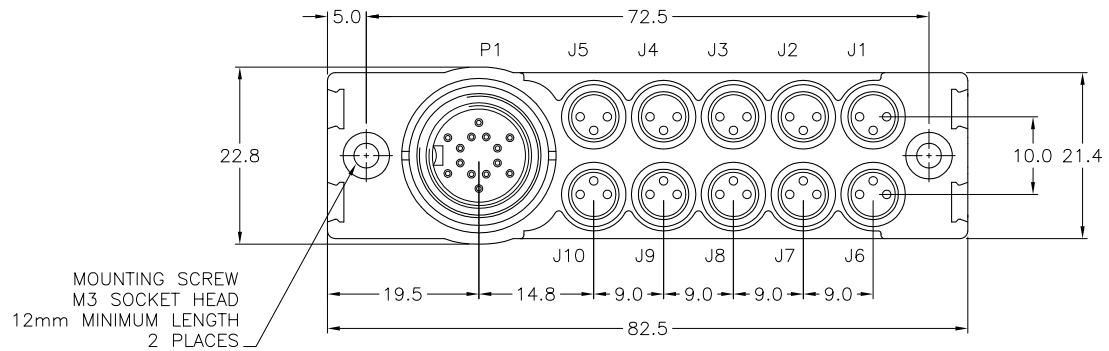


WIRING DIAGRAM		CONNECTOR (P1)	CONNECTORS (J1-J10)	SPECIFICATIONS	
		<p>M16 connector</p>	<p>picofast</p>	HOUSING MATERIAL/COLOR	NYLON/BLACK
				RECEPTACLE HOUSING	ALUMINUM (P1), POLYURETHANE (J1-J10)
				CONTACT CARRIER MATERIAL/COLOR	PETP (P1), POLYURETHANE (J1-J10) / CLEAR
				CONTACTS	GOLD-PLATED BRASS
				OPERATING VOLTAGE	10-48 V DC
				OPERATING CURRENT	3.0 A PER PORT, 3.0 A TOTAL
				LED CURRENT	10mA MAX AT 48VDC SUPPLY VOLTAGE (PER LED)
				PROTECTION CLASS to DIN 40050	IP 67 - ONLY WHEN ALL RECEPTACLES ARE COVERED WITH PLUGS OR CONNECTED
				OPERATING TEMPERATURE	-40°C to 85°C (-40°F to 185°F)



SOURCE DRAWING - FOR REFERENCE ONLY

RELATED DOCUMENTS		3RD ANGLE PROJECTION		THIS DRAWING IS PROPERTY OF TURCK INC. USE OF THIS DOCUMENT WITHOUT WRITTEN PERMISSION IS PROHIBITED.		TURCK INC High Technology Sensors and Automation Controls 3000 CAMPUS DRIVE MINNEAPOLIS, MN 55441 1-800-544-7769 (763) 553-7300 (763) 553-0708 fax turck.com	
1. 2. 3. 4.				DRFT	JBJ	DATE	06/27/00
MATERIAL		ALL DIMENSIONS DISPLAYED ON THIS DRAWING ARE FOR REFERENCE ONLY		DSGN		SCALE	1=1.0
SEE SPECIFICATIONS		CONTACT TURCK FOR MORE INFORMATION		UNIT OF MEASUREMENT		DESCRIPTION	
FINISH		MILLIMETERS		IDENTIFICATION NO.		REV	
SEE SPECIFICATIONS		DO NOT SCALE THIS DRAWING		U0943-55		C	
C UPDATE DESCRIPTION AND ID NUMBER		RDS	10/13/03	10581		FILE: PICO-B\U0943-55	
REV DESCRIPTION		BY	DATE	ECO NO.		SHEET 1 OF 1	