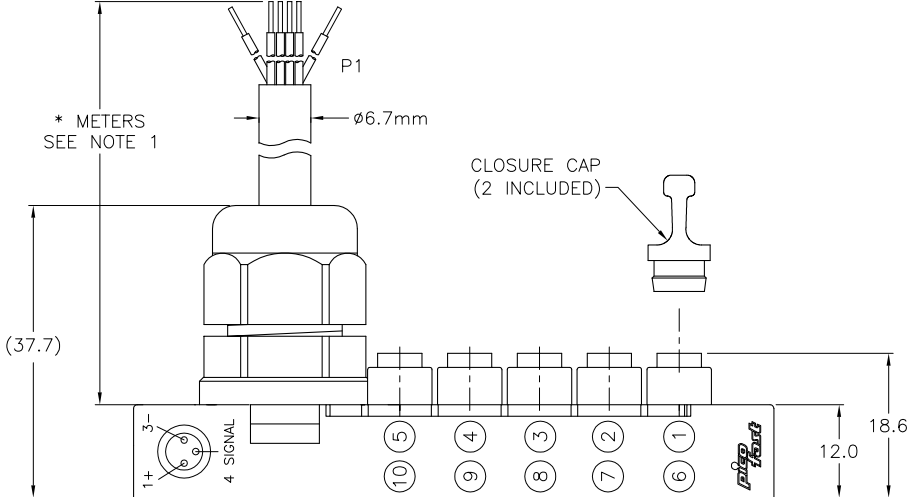
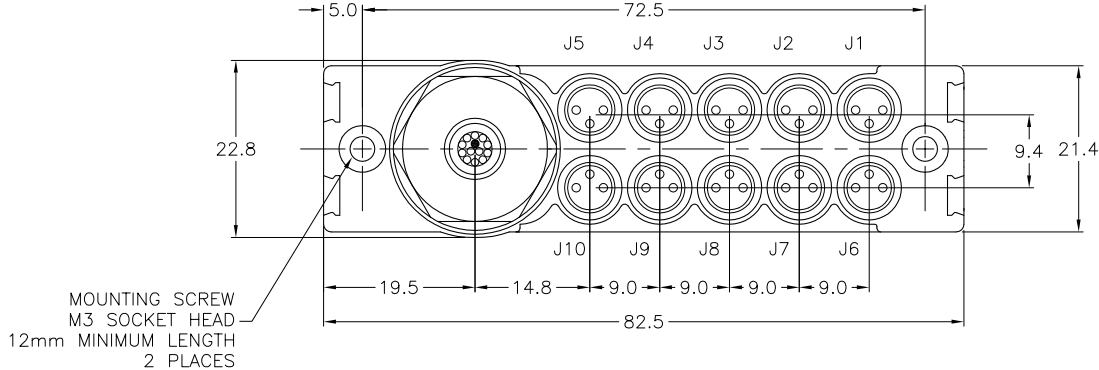


SPECIFICATIONS	
CABLE JACKET/COLOR	PVC/BLACK
NUMBER OF CONDUCTORS [AWG]	12x24 AWG, FOIL SHIELD, 26 AWG DRAIN
HOUSING MATERIAL/COLOR	PA 6 NYLON/BLACK
CONTACT CARRIER MATERIAL/COLOR	TPU/BLACK
CONTACT MATERIAL/PLATING	BRASS/GOLD
OPERATING VOLTAGE	48 V AC/DC
OPERATING CURRENT	3 AMPS PER PORT, 3 AMPS TOTAL
PROTECTION CLASS to DIN 40050	IP 67 - ONLY WHEN ALL RECEPTACLES ARE COVERED WITH PLUGS OR CONNECTED
OPERATING TEMPERATURE	-40°C to 85°C (-40°F to 185°F)



SOURCE DRAWING - FOR REFERENCE ONLY

NOTES:
1. "*" INDICATES CABLE LENGTH IN METERS. CONTACT TURCK TO ORDER SPECIFIC LENGTHS.

RELATED DOCUMENTS 1. 2. 3. 4.	3RD ANGLE PROJECTION	THIS DRAWING IS CONFIDENTIAL AND THE PROPERTY OF TURCK INC. USE OF THIS DOCUMENT WITHOUT WRITTEN PERMISSION IS PROHIBITED.	TURCK IAC High Technology Sensors and Automation Controls 3000 CAMPUS DRIVE MINNEAPOLIS, MN 55441 1-800-544-7769 (763) 553-7300 (763) 553-0708 fax turck.com	
	DRFT JBJ APVD DF DATE 12/27/01 SCALE 1=1.0		DESCRIPTION VB 1003-*	
MATERIAL SEE SPECIFICATIONS	ALL DIMENSIONS DISPLAYED ON THIS DRAWING ARE FOR REFERENCE ONLY CONTACT TURCK FOR MORE INFORMATION	UNIT OF MEASUREMENT MILLIMETERS		
FINISH SEE SPECIFICATIONS		IDENTIFICATION NO.	REV C	
DO NOT SCALE THIS DRAWING		FILE: 777000584	SHEET 1 OF 1	

C	UPDATE CABLE DIAMETER	KMY	01/27/12	37169
REV	DESCRIPTION	BY	DATE	ECO NO.